

TPS53647 4-Phase, D-CAP+, Step-Down, Buck Controller with NVM and PMBus™ Interface for ASIC Power and High-Current Point-of-Load

1 Features

- 8-bit Selectable BOOT Voltage via Pinstrap or NVM: 0.5 V to 2.5 V (down to 5-mV Step)
- 1-, 2-, 3-, or 4- Phase Operation
- PMBus™ System Interface for Telemetry of Voltage, Current, Power, Temperature, and Fault Conditions
- 1.8-V and 3.3-V PMBus Bias Compatible
- Fault Reporting: Output Voltage, Output Current, and Temperature
- Configurable with Non-Volatile Memory (NVM) or Resistor Pinstrap
- 16 Levels of Programmable OCP with Pinstrap or NVM
- Fast Transient with DCAP+™ Control
- Optimized Efficiency at Light and Heavy Loads
- Support Pre-Bias Startup
- Phase Current Imbalance Detection and Reporting
- 8 Independent Levels of Overshoot Reduction (OSR) and Undershoot Reduction (USR)
- Driverless Configuration for Efficient High-Frequency Switching
- Fully Compatible with CSD95372BQ5MC NexFET™ Power Stage
- Accurate, Adjustable Voltage Positioning
- 300-kHz to 1-MHz Frequency Selections with Closed-loop Frequency Control
- Patented AutoBalance™ Phase Balancing
- Uses TI's [Fusion Digital Power Designer GUI](#)
- Dynamic Phase Shedding with Programmable Current Threshold
- Conversion Voltage Range: 4.5 V to 17 V
- Small, 6 mm x 6 mm, 40-Pin, QFN, PowerPAD™ Package

2 Applications

- Application-Specific Integrated Circuit (ASIC) Power in Communications Equipment
- High Density Power Solutions
- Server Power
- Smart Power Systems

3 Description

The TPS53647 is a high-current, multi-phase, step-down controller. The device offers built-in non-volatile memory (NVM) and PMBus interface. It is compatible with the NexFET power stages (CSD95372BQ5MC). The TPS53647 provides 8-bit BOOT voltage selection covering output voltage from 0.5 V to 2.5 V, with steps as small as 5 mV, which is ideal for high current application with accurate output voltage setting. Advanced control features such as D-CAP+ architecture with undershoot reduction (USR) and overshoot reduction (OSR) provide fast transient response, lowest output capacitance, and high efficiency. The TPS53647 also provides novel phase interleaving strategy and dynamic phase shedding for efficiency improvement at light loads. In addition, the TPS53647 supports the PMBus communication interface with systems for telemetry of voltage, current, power, temperature, and fault conditions. Some of the configurations can be programmed by pinstrap or PMBus and stored in non-volatile memory to minimize the external component count.

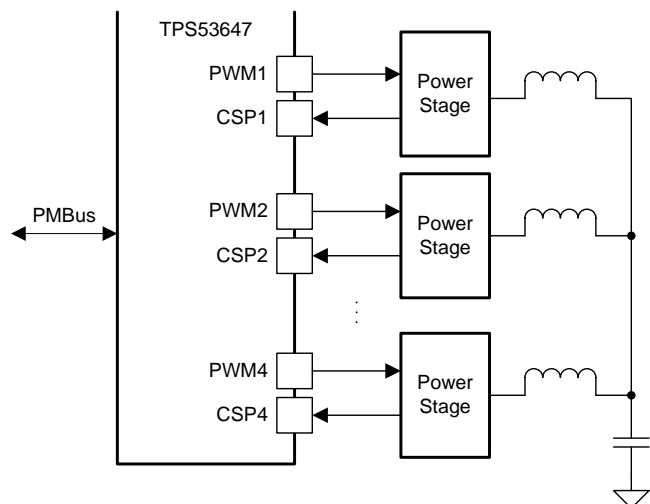
The TPS53647 is offered in a space saving, thermally enhanced 40-pin QFN package and is rated to operate from -40°C to 125°C .

Device Information⁽¹⁾

PART NUMBER	PACKAGE	BODY SIZE (NOM)
TPS53647	QFN (40)	6.00 mm x 6.00 mm

(1) For all available packages, see the orderable addendum at the end of the datasheet.

Simplified Schematic

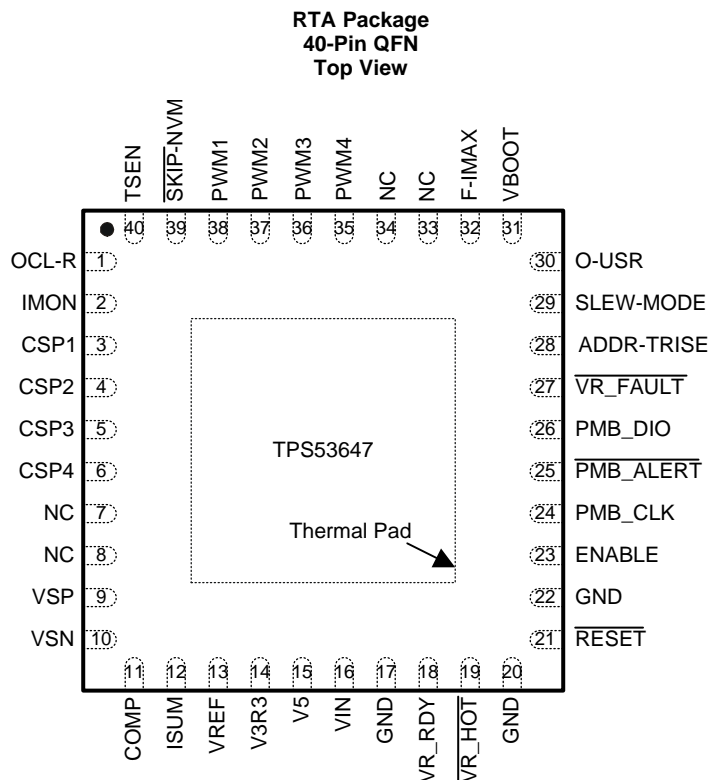


4 Revision History

Changes from Revision A (September 2016) to Revision B	Page
• Updated V3R3 LDO section	18
• Added temperature default value VR_HOT and VR_FAULT Indication section	30
• Corrected factory default value of VOUT_OV_FAULT_RESPONSE command in Table 7	38
• Corrected factory default value of VIN_OV_FAULT_LIMIT command in Table 7	38
• Corrected factory default value of MFR_ID command in Table 7	39
• Corrected factory default value of MFR_SPECIFIC_44 command in Table 7	40

Changes from Original (June 2015) to Revision A	Page
• Updated the $V_{\text{ADDR-TRISE}}$ condition of the PADDR specification in the Electrical Characteristics table from "1.647 V" to "1.615 V"	8
• Updated the $V_{\text{OCL-R}}$ condition of the I_{OCLx} specification in the Electrical Characteristics table from "0.8 V" to "0.85 V"	9
• Updated the $V_{\text{OCL-R}}$ condition of the I_{OCLx} specification in the Electrical Characteristics table from "1.0 V" to "0.95 V"	9
• Updated the $V_{\text{OCL-R}}$ condition of the V_{RAMP} specification in the Electrical Characteristics table to " ± 50 mV"	9
• Updated the $V_{\text{SLEW-MODE}}$ condition of the V_{MODE} specification in the Electrical Characteristics table from "1.647 V with ± 20 mV tolerance" to "1.615 V with ± 10 mV tolerance"	11
• Updated the $V_{\text{O-USR}}$ condition of the V_{USR} specification in the Electrical Characteristics table from " $V_{\text{O-USR}} \geq 1.55$ V (USR OFF)" to " $1.55 \text{ V} \leq V_{\text{O-USR}} \leq 1.6 \text{ V}$ "	11
• Updated the V_{BOOT} ($B_7B_6B_5B_4$) condition of the V_{BOOT} specification in the Electrical Characteristics table from "1.647 V with ± 20 mV tolerance" to "1.615 V with ± 10 mV tolerance"	12
• Clarified the READ_VIN (88h) section.....	69
• Corrected typographical error in READ_VOUT (8Bh) section.....	71
• Clarified the READ_IOUT (8Ch) section	71
• Clarified the READ_TEMPERATURE_1 (8Dh) section.....	72
• Clarified the READ_POUT (96h) section.....	73
• Clarified the READ_POUT (96h) section.....	74
• Clarified the MFR_SPECIFIC_04 (Read VOUT) (D4h) section	78
• Updated the MFR_SPECIFIC_14 (Ramp Height) (DEh) section	86
• Clarified the Set the Load-Line section	97
• Updated Table 79	97
• Updated Table 82	98
• Added Receiving Notification of Documentation Updates section	114
• Added Community Resources section	114

5 Pin Configuration and Functions



NC = No internal connection

Pin Functions

PIN		I/O ⁽¹⁾	DESCRIPTION
NAME	NO.		
ADDR-TRISE	28	I	Voltage divider to VREF pin. A resistor ($R_{ADDR-TRISE}$) connected between this pin and GND sets the 3-bits. Bit 2 and bit 1 set the rise slew rate. Bit 0 Selects the LSB of BOOT voltage. The voltage ($V_{ADDR-TRISE}$) sets 4 bits PMBus address. The device latches these settings when V3R3 powers up.
COMP	11	O	Output of the g_m error amplifier. Resistors and capacitors connected between this pin and the VREF pin set the compensation.
CSP1	3	I	Positive current sense inputs. Connect to the IOU _T pin of TI smart power stages (ex: CSD95372BQ5MC). Tie CSP4, CSP3, or CSP2 to the V3R3 pin according to Table 3 to disable the corresponding phase.
CSP2	4		
CSP3	5		
CSP4	6		
ENABLE	23	I	VR enable. 1-V I/O level; 100-ns debounce.
F-IMAX	32	I	Voltage divider to VREF pin. A resistor (R_{F-IMAX}) connected between this pin and GND sets the operating frequency of the controller. The voltage level (V_{F-IMAX}) sets the maximum operating current of the converter. The IMAX value is an 8-bit A/D where $V_{F-IMAX} = V_{VREF} \times I_{MAX} / 255$. Both are latched at V3R3 power-up.
GND	17	G	Ground pin.
GND	20	G	Connect these pins to GND. Note this is not IC ground pin.
	22		

(1) I = Input, O = Output, P = Power, I/O = Bi-directional, GND = ground

Pin Functions (continued)

PIN		I/O ⁽¹⁾	DESCRIPTION
NAME	NO.		
IMON	2	O	Analog current monitor output. $V_{IMON} = \frac{I_O \times 5m\Omega \times R_{IMON}}{35k\Omega}$
ISUM	12	O	A resistor (R_{ISUM}) connected between this pin and VREF pin determines the droop. $V_{ISUM} = \frac{I_O \times 5m\Omega \times g_{M(isum)} \times R_{ISUM}}{n} + V_{REF}$ (where n is the number of phases)
NC	7	—	No connection. Leave the pin open or pull up to V3R3 pin.
	8		
	33	—	No connection.
	34		
OCL-R	1	I	A resistor (R_{OCL-R}) connected between this pin and GND and the voltage level (V_{OCL-R}) select 1 of 16 OCL levels (per phase current-limit). V_{OCL-R} also sets one of four RAMP levels. The device latches these settings when V3R3 powers up.
O-USR	30	I	Voltage divider to VREF pin. A resistor (R_{O-USR}) connected between this pin and GND selects one of seven OSR thresholds or OFF. The voltage level (V_{O-USR}) sets one of seven USR levels or OFF. The device latches these settings when V3R3 powers up.
$\overline{PMB_ALERT}$	25	O	I ² C PMBus interrupt line. Open drain. 3.3-V and 1.8-V logic level.
PMB_CLK	24	I	I ² C PMBus clock. 3.3-V and 1.8-V logic level.
PMB_DIO	26	I/O	I ² C PMBus digital I/O line. 3.3-V and 1.8-V logic level.
PWM1	38	O	PWM signals for each phase
PWM2	37		
PWM3	36		
PWM4	35		
\overline{RESET}	21	I	Reset pin. If this pin is low for more than 1000 ns, the controller pulls the output voltage to the V_{BOOT} level.
$\overline{SKIP-NVM}$	39	O	A resistor ($R_{\overline{SKIP-NVM}}$) connected between this pin and GND sets either pinstrap or NVM configuration mode. This pin can also connect to the FCCM pin of TI smart power stages (ex: CSD95372BQ5MC) for SKIP or FCCM operation.
SLEW-MODE	29	I	Voltage divider to VREF pin. A resistor ($R_{SLEW-MODE}$) connected between this pin and GND sets 8 slew rates. The voltage level ($V_{SLEW-MODE}$) sets 4-bit operation modes. Bit 7 for DAC mode (1 for VR12.0; 0 for VR12.5). Bit 6 for the 4-phase interleaving mode (1 for 1/3 and 2/4 two phase interleaving; 0 for 4 phase interleaving individually). Bit 4 for enabling dynamic phase add or drop (1 for enable; 0 for disable). Bit 3 sets zero load-line (1 for zero load-line; 0 for non-zero load-line) The device latches these settings when V3R3 powers up.
TSEN	40	I	Connect to the TAO/FAULT pin of TI smart power stages (ex: CSD95372BQ5MC) to sense the highest temperature of the power stages and to sense the fault signal from the power stages.
V3R3	14	O	3.3-V LDO output. Bypass this pin to GND with a ceramic capacitor with a value of 1- μ F or larger.
V5	15	P	5-V power input. Bypass this pin to GND with a ceramic capacitor with a value of 1- μ F or larger. This pin is used to power all internal analog circuits.
VBOOT	31	I	Voltage divider to VREF pin. A resistor (R_{VBOOT}) connected between this pin and GND sets 3 bits (B[3:1]). The voltage level (V_{VBOOT}) sets 4 bits (B[7:4]). The total 7 bits set 7 of 8 bits of VID of boot voltage (B[7:1]). The device latches these settings when V3R3 powers up.
VIN	16	P	Input voltage supply. This pin is also used for input voltage sensing for on-time control and input undervoltage lockout (UVLO).
VR_RDY	18	O	Power good open-drain output for the controller. This pin is typically pulled up to V3R3 pin through a resistor with a value of 3-k Ω or larger.
$\overline{VR_FAULT}$	27	O	VR fault indicator (open-drain). The failures include shorts of the high-side FETs, over temperature, output overvoltage, and overcurrent conditions of the input. The fault signal should be used on the platform to remove the power source either by firing a shunting SCR to blow a fuse or by turning off the AC power supply. When the failure occurs, the $\overline{VR_FAULT}$ pin is LOW. This pin is typically pulled up to V3R3 pin through a resistor with a value of 3-k Ω or larger. Leave this pin floating if not used.
$\overline{VR_HOT}$	19	O	Thermal flag open drain output. Active low. This pin is typically pulled up to V3R3 pin through a resistor with a value of 3-k Ω or larger. Leave this pin floating if not used.

Pin Functions (continued)

PIN		I/O ⁽¹⁾	DESCRIPTION
NAME	NO.		
VREF	13	O	1.7-V, 500- μ A, LDO reference voltage. Bypass this pin to GND with a ceramic capacitor with a value of 0.33 μ F. Connect the VREF pin to the REFIN pin of TI smart power stages (ex: CSD95372BQ5MC) as the current-sense reference voltage.
VSN	10	I	Negative input of the remote voltage sense amplifier. Connect this pin directly to the GND of the load.
VSP	9	I	Positive input of the remote voltage sense amplifier. Connect this pin directly to the load.
Thermal Pad		GND	Thermal pad. Connect the thermal pad to the ground plane with multiple vias.

6 Specifications

6.1 Absolute Maximum Ratings

over operating free-air temperature range (unless otherwise noted) ⁽¹⁾ ⁽²⁾

		MIN	MAX	UNIT
Input Voltage	VIN	-0.3	19	V
	V5	-0.3	6	
	ADDR-TRISE, CSP1, CSP2, CSP3, CSP4, ENABLE, F-IMAX, OCL-R, O-USR, PMB_CLK, PMB_DIO, RESET, SLEW-MODE, VBOOT, VSP	-0.3	3.6	
	TSEN	-0.3	6	
	GND, VSN	-0.3	0.3	
Output Voltage	VREF	-0.3	1.8	V
	IMON, ISUM, PMB_ALERT, PWM1, PWM2, PWM3, PWM4, SKIP-NVM, V3R3, VR_RDY, VR_FAULT, VR_HOT	-0.3	3.6	
	COMP	-0.3	6	
Operating Junction Temperature, T _J		-40	150	°C

(1) Stresses beyond those listed under *Absolute Maximum Ratings* may cause permanent damage to the device. These are stress ratings only, which do not imply functional operation of the device at these or any other conditions beyond those indicated under *Recommended Operating Conditions*. Exposure to absolute-maximum-rated conditions for extended periods may affect device reliability.

(2) All voltage values are with respect to the network ground terminal GND unless otherwise noted.

6.2 Handling Ratings

		MIN	MAX	UNIT	
T _{stg}	Storage temperature range	-55	150	°C	
V _(ESD)	Electrostatic discharge	Human body model (HBM), per ANSI/ESDA/JEDEC JS-001, all pins ⁽¹⁾	-2.5	2.5	kV
		Charged device model (CDM), per JEDEC specification JESD22-C101, all pins ⁽²⁾	-1.5	1.5	

(1) JEDEC document JEP155 states that 500-V HBM allows safe manufacturing with a standard ESD control process.

(2) JEDEC document JEP157 states that 250-V CDM allows safe manufacturing with a standard ESD control process.

6.3 Recommended Operating Conditions

over operating free-air temperature range (unless otherwise noted)

		MIN	NOM	MAX	UNIT	
V _I	Input voltage	VIN	4.5	12	17	V
		TSEN	-0.1		5.5	
		V5	4.5	5	5.5	
		ADDR-TRISE, F-IMAX, OCL-R, O-USR, SLEW-MODE, VBOOT	0.1		V _{VREF}	
		CSP1, CSP2, CSP3, CSP4, VSP	-0.1		2.5	
		ENABLE, PMB_CLK, PMB_DIO	-0.1		3.5	
		GND, VSN	-0.1		0.1	
V _O	Output voltage	VREF	-0.1		1.72	V
		V3R3	-0.1	3.3	3.5	
		IMON, ISUM, $\overline{\text{PMB_ALERT}}$, PWM1, PWM2, PWM3, PWM4, $\overline{\text{SKIP-NVM}}$, $\overline{\text{VR_RDY}}$, $\overline{\text{VR_FAULT}}$, $\overline{\text{VR_HOT}}$	-0.1		3.5	
		COMP	-0.1		5.5	
T _A	Operating free air temperature	-40		125	°C	

6.4 Thermal Information

THERMAL METRIC ⁽¹⁾		TPS53647	UNIT
		RTA (QFN)	
		40 PINS	
R _{θJA}	Junction-to-ambient thermal resistance	30.6	°C/W
R _{θJC(top)}	Junction-to-case (top) thermal resistance	14.2	
R _{θJB}	Junction-to-board thermal resistance	6.9	
ψ _{JT}	Junction-to-top characterization parameter	0.2	
ψ _{JB}	Junction-to-board characterization parameter	6.8	
R _{θJC(bot)}	Junction-to-case (bottom) thermal resistance	1.8	

 (1) For more information about traditional and new thermal metrics, see the *IC Package Thermal Metrics* application report, [SPRA953](#).

6.5 Electrical Characteristics

over recommended free-air temperature range, $V_{VIN} = 12\text{ V}$, $V_{V5} = 5\text{ V}$, $V_{VSN} = \text{GND}$, $V_{VSP} = V_{OUT}$ (unless otherwise noted).

PARAMETER		TEST CONDITIONS	MIN	TYP	MAX	UNIT
SUPPLY: CURRENTS, UVLO, AND POWER-ON RESET						
I_{VIN}	VIN supply current, 4-phase active	$V_{VDAC} < V_{VSP} < V_{VDAC} + 100\text{ mV}$, ENABLE = HI			115	μA
I_{V5}	V5 supply current	PMBus Idle, ENABLE = HI		6.1	7	mA
I_{VSSBY}	V5 standby current	ENABLE = LO		2	2.6	mA
V_{V3R3}	V3R3 output voltage	$I_{V3R3} = 0\text{ A}$	3.2	3.3	3.4	V
$V_{V3R3(\text{dropout})}$	V3R3 load regulation	$I_{V3R3} = 5\text{ mA}$			100	mV
$V_{V5UVLOH}$	V5 UVLO OK threshold	Ramp up	4.1	4.25	4.5	V
$V_{V5UVLOL}$	V5 UVLO fault threshold	Ramp down	3.95	4.05	4.25	V
$V_{HYS(V5)}$	V5 UVLO hysteresis	Hysteresis	0.15	0.23	0.3	V
$V_{VINUVLO}$	VIN UVLO voltage	MFR_SPEC_16[1:0] = 00	4.2	4.5	4.7	V
		MFR_SPEC_16[1:0] = 01	6.9	7.25	7.45	
		MFR_SPEC_16[1:0] = 10	8.6	9.0	9.25	
		MFR_SPEC_16[1:0] = 11	9.8	10.3	10.7	
$V_{HYS(VIN)}$	VIN UVLO hysteresis voltage	Hysteresis voltage		1		V
REFERENCES: DAC AND VREF						
V_{VIDSTP}	VID Step size	VR12.5: Change VID0 HI to LO to HI		10		mV
		VR12.0: Change VID0 HI to LO to HI		5		mV
V_{DAC1}	Closed Loop VSP tolerance	VR12.0: $0.61\text{ V} \leq V_{VSP} \leq 0.995\text{ V}$, $I_{OUT} = 0\text{ A}$, $0^\circ\text{C} \leq T_A \leq 85^\circ\text{C}$	-6		6.5	mV
V_{DAC2}	Closed Loop VSP tolerance	VR12.0: $1\text{ V} \leq V_{VSP} \leq 1.52\text{ V}$, $I_{OUT} = 0\text{ A}$, $0^\circ\text{C} \leq T_A \leq 85^\circ\text{C}$	-0.6		0.6	%
V_{DAC3}	Closed Loop VSP tolerance	VR12.5: $1.50\text{V} \leq V_{VSP} \leq 2.50\text{ V}$, $I_{OUT} = 0\text{ A}$, $0^\circ\text{C} \leq T_A \leq 85^\circ\text{C}$	-1		1	%
V_{DAC4}	Closed Loop VSP tolerance	VR12.0: $0.61\text{ V} \leq V_{VSP} \leq 0.995\text{ V}$, $I_{OUT} = 0\text{ A}$, $-40^\circ\text{C} \leq T_A \leq 125^\circ\text{C}$	-8		8	mV
V_{DAC5}	Closed Loop VSP tolerance	VR12.0: $1.0\text{ V} \leq V_{VSP} \leq 1.52\text{ V}$, $I_{OUT} = 0\text{ A}$, $-40^\circ\text{C} \leq T_A \leq 125^\circ\text{C}$	-0.8		0.8	%
V_{DAC6}	Closed Loop VSP tolerance	VR12.5: $1.50\text{ V} \leq V_{VSP} \leq 2.50\text{ V}$, $I_{OUT} = 0\text{ A}$, $-40^\circ\text{C} \leq T_A \leq 125^\circ\text{C}$	-1.1		1.0	%
V_{VREF}	VREF output	$4.5 \leq V_{V5} \leq 5.5\text{ V}$, $I_{VREF} = 0\text{ A}$	1.685	1.70	1.717	V
$V_{VREFSRC}$	VREF output source	$I_{VREF} = 0\text{ to }500\text{ }\mu\text{A}$	-4	-1		mV
$V_{VREFSNK}$	VREF output sink	$I_{VREF} = -500\text{ to }0\text{ }\mu\text{A}$		1	4	mV
CURRENT SENSE: AMPLIFIER AND PHASE BALANCING						
G_{CSINT}	Internal current sense gain	Gain from (CSPx – VREF) to PWM comparator		1.0		V/V
COMPENSATOR: VOLTAGE POSITIONING AND AMPLIFIER						
$g_{M(\text{isum})}$	ISUM amplifier transconductance	$V_{VSP} = 1.7\text{ V}$		500		μS
$g_{M(\text{comp})}$	COMP amplifier transconductance	$V_{VSP} = 1.7\text{ V}$		1000		μS
$V_{CCLAMPN}$	COMP amplifier negative clamp voltage	$(V_{VREF} - V_{COMP})$		$V_{RAMP} + 20$		mV
$V_{CCLAMP P}$	COMP amplifier positive clamp voltage	$(V_{COMP} - V_{VREF})$	2.1	2.2	2.3	V
VOLTAGE SENSE: VSP AND VSN						
I_{VSP}	VSP input bias current	Not in fault, disable or UVLO, $V_{VSP} = V_{VDAC} = 2.3\text{ V}$, $V_{VSN} = 0\text{ V}$			300	μA
I_{VSN}	VSN input bias current	Not in fault, disable or UVLO, $V_{VSP} = V_{VDAC} = 2.3\text{ V}$, $V_{VSN} = 0\text{ V}$	-30	-23		μA
R_{SFTSTP}	Transistor resistance	Connect to VSP		10		k Ω
LOGIC (RESET, VR_RDY, VR_FAULT, VR_HOT, AND ENABLE) INTERFACE PINS: I/O VOLTAGE AND CURRENT						
R_{RPGDL}	Open drain pull-down resistance	VR_RDY, pulldown resistance at 0.31 V		36	50	Ω
I_{VRTTLK}	Open drain leakage current	VR_HOT, VR_RDY, hi-Z leakage, apply 3.3 V in off state	-2	0.2	2	μA
V_{RSTL}	RESET logic low	RESET Pin			0.8	V
V_{RSTH}	RESET logic high	RESET Pin	1.2			V
$T_{RSTTDLY}$	RESET Delay Time			1		μs
V_{ENL}	ENABLE logic low				0.3	V
V_{ENH}	ENABLE logic high		0.8			V
I_{ENH}	I/O 1.1- V leakage	Leakage current, $V_{ENABLE} = 1.1\text{ V}$			25	μA
PMBUS INTERFACE PINS: I/O VOLTAGE AND CURRENT						
V_{PMBL}	PMBus pins logic low				0.8	V
V_{PMBH}	PMBus pins logic high		1.2			V
I_{PMBL}	Logic low input current	$V_{PMBUS} = 0\text{ V}$	-10		10	μA
I_{PMBH}	Logic high input current	$V_{PMBUS} = 1.8\text{ V}$	-10		10	μA

Electrical Characteristics (continued)

 over recommended free-air temperature range, $V_{VIN} = 12\text{ V}$, $V_{V5} = 5\text{ V}$, $V_{VSN} = \text{GND}$, $V_{VSP} = V_{OUT}$ (unless otherwise noted).

PARAMETER		TEST CONDITIONS	MIN	TYP	MAX	UNIT
ADDR-TRISE PIN: PMBUS ADDRESS, SOFT START RISE TIME SETTING						
SL _{RISE}	Soft start rise slew rate in terms of V _{OUT} slew rate	R _{ADDR-TRISE} ≤ 20 kΩ or R _{ADDR-TRISE} = 24 kΩ or MFR_SPEC_12<1:0> = 00b		1		
		R _{ADDR-TRISE} = 30 kΩ or R _{ADDR-TRISE} = 39 kΩ or MFR_SPEC_12<1:0> = 01b		1/2		
		R _{ADDR-TRISE} = 56 kΩ or R _{ADDR-TRISE} = 75 kΩ or MFR_SPEC_12<1:0> = 10b		1/4		
		R _{ADDR-TRISE} = 100 kΩ or R _{ADDR-TRISE} = 150 kΩ or MFR_SPEC_12<1:0> = 11b		1/8		
BOOT	BOOT voltage set (B0)	R _{ADDR-TRISE} ≤ 20 kΩ or R _{ADDR-TRISE} = 30 kΩ or R _{ADDR-TRISE} = 56 kΩ or R _{ADDR-TRISE} = 100 kΩ, or MFR_SPEC_11 [0] = 0b		0		
		R _{ADDR-TRISE} = 24 kΩ or R _{ADDR-TRISE} = 39 kΩ or R _{ADDR-TRISE} = 75 kΩ or R _{ADDR-TRISE} = 150 kΩ, or MFR_SPEC_11 [0] = 1b		1		
PADDR	PMBus address bits set (11P ₄ 0P ₂ P ₁ P ₀)	V _{ADDR-TRISE} ≤ 0.053 V with ±20 mV tolerance		1100000		
		V _{ADDR-TRISE} = 0.159 V with ±20 mV tolerance		1100001		
		V _{ADDR-TRISE} = 0.266 V with ±20 mV tolerance		1100010		
		V _{ADDR-TRISE} = 0.372 V with ±20 mV tolerance		1100011		
		V _{ADDR-TRISE} = 0.478 V with ±20 mV tolerance		1100100		
		V _{ADDR-TRISE} = 0.584 V with ±20 mV tolerance		1100101		
		V _{ADDR-TRISE} = 0.691 V with ±20 mV tolerance		1100110		
		V _{ADDR-TRISE} = 0.797 V with ±20 mV tolerance		1100111		
		V _{ADDR-TRISE} = 0.903 V with ±20 mV tolerance		1110000		
		V _{ADDR-TRISE} = 1.009 V with ±20 mV tolerance		1110001		
		V _{ADDR-TRISE} = 1.116 V with ±20 mV tolerance		1110010		
		V _{ADDR-TRISE} = 1.222 V with ±20 mV tolerance		1110011		
		V _{ADDR-TRISE} = 1.328 V with ±20 mV tolerance		1110100		
		V _{ADDR-TRISE} = 1.434 V with ±20 mV tolerance		1110101		
V _{ADDR-TRISE} = 1.541 V with ±20 mV tolerance		1110110				
V _{ADDR-TRISE} = 1.615 V with ±10 mV tolerance		1110111				

Electrical Characteristics (continued)

over recommended free-air temperature range, $V_{VIN} = 12\text{ V}$, $V_{V5} = 5\text{ V}$, $V_{VSN} = \text{GND}$, $V_{VSP} = V_{OUT}$ (unless otherwise noted).

PARAMETER	TEST CONDITIONS	MIN	TYP	MAX	UNIT	
OCL-R PIN: OVERCURRENT THRESHOLDS AND RAMP SETTINGS						
I_{OCLx}	Phase OCL level (CSPx-VREF) (valley current-limit)	$R_{OCL-R} = 20\text{ k}\Omega$ and $V_{OCL-R} \leq 0.85\text{ V}$ or $MFR_SPEC_00[3:0] = 0000b$	21	24	27	A
		$R_{OCL-R} = 24\text{ k}\Omega$ and $V_{OCL-R} \leq 0.85\text{ V}$ or $MFR_SPEC_00[3:0] = 0001b$	25	27	30	
		$R_{OCL-R} = 30\text{ k}\Omega$ and $V_{OCL-R} \leq 0.85\text{ V}$ or $MFR_SPEC_00[3:0] = 0010b$	28	30	33	
		$R_{OCL-R} = 39\text{ k}\Omega$ and $V_{OCL-R} \leq 0.85\text{ V}$ or $MFR_SPEC_00[3:0] = 0011b$	31	33	36	
		$R_{OCL-R} = 56\text{ k}\Omega$ and $V_{OCL-R} \leq 0.85\text{ V}$ or $MFR_SPEC_00[3:0] = 0100b$	34	36	39	
		$R_{OCL-R} = 75\text{ k}\Omega$ and $V_{OCL-R} \leq 0.85\text{ V}$ or $MFR_SPEC_00[3:0] = 0101b$	37	39	42	
		$R_{OCL-R} = 100\text{ k}\Omega$ and $V_{OCL-R} \leq 0.85\text{ V}$ or $MFR_SPEC_00[3:0] = 0110b$	40	42	45	
		$R_{OCL-R} \geq 150\text{ k}\Omega$ and $V_{OCL-R} \leq 0.85\text{ V}$ or $MFR_SPEC_00[3:0] = 0111b$	43	45	48	
		$R_{OCL-R} = 20\text{ k}\Omega$ and $V_{OCL-R} \geq 0.95\text{ V}$ or $MFR_SPEC_00[3:0] = 1000b$	46	48	51	
		$R_{OCL-R} = 24\text{ k}\Omega$ and $V_{OCL-R} \geq 0.95\text{ V}$ or $MFR_SPEC_00[3:0] = 1001b$	49	51	54	
		$R_{OCL-R} = 30\text{ k}\Omega$ and $V_{OCL-R} \geq 0.95\text{ V}$ or $MFR_SPEC_00[3:0] = 1010b$	52	54	57	
		$R_{OCL-R} = 39\text{ k}\Omega$ and $V_{OCL-R} \geq 0.95\text{ V}$ or $MFR_SPEC_00[3:0] = 1011b$	55	57	60	
		$R_{OCL-R} = 56\text{ k}\Omega$ and $V_{OCL-R} \geq 0.95\text{ V}$ or $MFR_SPEC_00[3:0] = 1100b$	58	60	63	
		$R_{OCL-R} = 75\text{ k}\Omega$ and $V_{OCL-R} \geq 0.95\text{ V}$ or $MFR_SPEC_00[3:0] = 1101b$	61	63	66	
		$R_{OCL-R} = 100\text{ k}\Omega$ and $V_{OCL-R} \geq 0.95\text{ V}$ or $MFR_SPEC_00[3:0] = 1110b$	64	66	69	
$R_{OCL-R} \geq 150\text{ k}\Omega$ and $V_{OCL-R} \geq 0.95\text{ V}$ or $MFR_SPEC_00[3:0] = 1111b$	67	69	72			
V_{RAMP}	Ramp setting	$V_{OCL-R} = 0.2\text{ V} \pm 50\text{mV}$ or $V_{OCL-R} = 1.0\text{ V} \pm 50\text{mV}$ or $MFR_SPEC_14[2:0] = 001b$	30	40	50	mV_{P-P}
		$V_{OCL-R} = 0.4\text{ V} \pm 50\text{mV}$ or $V_{OCL-R} = 1.2\text{ V} \pm 50\text{mV}$ or $MFR_SPEC_14[2:0] = 011b$	70	80	90	
		$V_{OCL-R} = 0.6\text{ V} \pm 50\text{mV}$ or $V_{OCL-R} = 1.4\text{ V} \pm 50\text{mV}$ or $MFR_SPEC_14[2:0] = 110b$	135	145	155	
		$V_{OCL-R} = 0.8\text{ V} \pm 50\text{mV}$ or $V_{OCL-R} = 1.6\text{ V} \pm 50\text{mV}$ or $MFR_SPEC_14[2:0] = 111b$	180	190	205	
F-IMAX PIN: FREQUENCY AND IMAX SETTINGS						
f_{SW}	Switching frequency (See Switching Characteristics)					
I_{MAX}	IMAX values	$V_{F-IMAX(min)} = 0.136\text{ V}$ $I_{MAX} = (V_{F-IMAX} / V_{VREF} \times 256) - 0.5$	18	20	22	A
		$V_{F-IMAX(min)} = 0.403\text{ V}$ $I_{MAX} = (V_{F-IMAX} / V_{VREF} \times 256) - 0.5$	58	60	62	
		$V_{F-IMAX(min)} = 0.536\text{ V}$ $I_{MAX} = (V_{F-IMAX} / V_{VREF} \times 256) - 0.5$	78	80	82	
		$V_{F-IMAX(min)} = 0.803\text{ V}$ $I_{MAX} = (V_{F-IMAX} / V_{VREF} \times 256) - 0.5$	118	120	122	

Electrical Characteristics (continued)

 over recommended free-air temperature range, $V_{VIN} = 12\text{ V}$, $V_{V5} = 5\text{ V}$, $V_{VSN} = \text{GND}$, $V_{VSP} = V_{OUT}$ (unless otherwise noted).

PARAMETER		TEST CONDITIONS	MIN	TYP	MAX	UNIT
SLEW-MODE PIN: SLEW RATES and MODE SELECTIONS						
SL _{SET}	Slew rate setting	R _{SLEW-MODE} ≤ 20 kΩ or MFR_SPEC_13[2:0] = 000b and MFR_SPEC_07[2] = 0b	0.28	0.34		mV/μs
		R _{SLEW-MODE} = 24 kΩ or MFR_SPEC_13[2:0] = 001b and MFR_SPEC_07[2] = 0b	0.60	0.68		
		R _{SLEW-MODE} = 30 kΩ or MFR_SPEC_13[2:0] = 010b and MFR_SPEC_07[2] = 0b	0.91	1.02		
		R _{SLEW-MODE} = 39 kΩ or MFR_SPEC_13[2:0] = 011b and MFR_SPEC_07[2] = 0b	1.22	1.36		
		R _{SLEW-MODE} = 56 kΩ or MFR_SPEC_13[2:0] = 100b and MFR_SPEC_07[2] = 0b	1.53	1.7		
		R _{SLEW-MODE} = 75 kΩ or MFR_SPEC_13[2:0] = 101b and MFR_SPEC_07[2] = 0b	1.85	2.04		
		R _{SLEW-MODE} = 100 kΩ or MFR_SPEC_13[2:0] = 110b and MFR_SPEC_07[2] = 0b	2.16	2.38		
		R _{SLEW-MODE} ≥ 150 kΩ or MFR_SPEC_13[2:0] = 111b and MFR_SPEC_07[2] = 0b	2.48	2.74		
		R _{SLEW-MODE} ≤ 20 kΩ or MFR_SPEC_13[2:0] = 000b and MFR_SPEC_07[2] = 1b	1.53	1.7		
		R _{SLEW-MODE} = 24 kΩ or MFR_SPEC_13[2:0] = 001b and MFR_SPEC_07[2] = 1b	1.85	2.04		
		R _{SLEW-MODE} = 30 kΩ or MFR_SPEC_13[2:0] = 010b and MFR_SPEC_07[2] = 1b	2.16	2.38		
		R _{SLEW-MODE} = 39 kΩ or MFR_SPEC_13[2:0] = 011b and MFR_SPEC_07[2] = 1b	2.48	2.74		
		R _{SLEW-MODE} = 56 kΩ or MFR_SPEC_13[2:0] = 100b and MFR_SPEC_07[2] = 1b	2.79	3.08		
		R _{SLEW-MODE} = 75 kΩ or MFR_SPEC_13[2:0] = 101b and MFR_SPEC_07[2] = 1b	3.10	3.43		
		R _{SLEW-MODE} = 100 kΩ or MFR_SPEC_13[2:0] = 110b and MFR_SPEC_07[2] = 1b	3.41	3.76		
R _{SLEW-MODE} ≥ 150 kΩ or MFR_SPEC_13[2:0] = 111b and MFR_SPEC_07[2] = 1b	3.73	4.13				

Electrical Characteristics (continued)

over recommended free-air temperature range, $V_{VIN} = 12\text{ V}$, $V_{V5} = 5\text{ V}$, $V_{VSN} = \text{GND}$, $V_{VSP} = V_{OUT}$ (unless otherwise noted).

PARAMETER		TEST CONDITIONS	MIN	TYP	MAX	UNIT
MODE	MODE bits set ⁽¹⁾ ($M_3M_2M_1M_0$)	$V_{SLEW-MODE} \leq 0.053\text{ V}$ with $\pm 20\text{ mV}$ tolerance, or MFR_SPEC_13[7:3] = 00x00		0000		
		$V_{SLEW-MODE} = 0.159\text{ V}$ with $\pm 20\text{ mV}$ tolerance, MFR_SPEC_13[7:3] = 00x01b		0001		
		$V_{SLEW-MODE} = 0.266\text{ V}$ with $\pm 20\text{ mV}$ tolerance, MFR_SPEC_13[7:3] = 00x10b		0010		
		$V_{SLEW-MODE} = 0.372\text{ V}$ with $\pm 20\text{ mV}$ tolerance, MFR_SPEC_13[7:3] = 00x11b		0011		
		$V_{SLEW-MODE} = 0.478\text{ V}$ with $\pm 20\text{ mV}$ tolerance, MFR_SPEC_13[7:3] = 01x00b		0100		
		$V_{SLEW-MODE} = 0.584\text{ V}$ with $\pm 20\text{ mV}$ tolerance, MFR_SPEC_13[7:3] = 01x01b		0101		
		$V_{SLEW-MODE} = 0.691\text{ V}$ with $\pm 20\text{ mV}$ tolerance, MFR_SPEC_13[7:3] = 01x10b		0110		
		$V_{SLEW-MODE} = 0.797\text{ V}$ with $\pm 20\text{ mV}$ tolerance, MFR_SPEC_13[7:3] = 01x11b		0111		
		$V_{SLEW-MODE} = 0.903\text{ V}$ with $\pm 20\text{ mV}$ tolerance, MFR_SPEC_13[7:3] = 10x00b		1000		
		$V_{SLEW-MODE} = 1.009\text{ V}$ with $\pm 20\text{ mV}$ tolerance, MFR_SPEC_13[7:3] = 10x01b		1001		
		$V_{SLEW-MODE} = 1.116\text{ V}$ with $\pm 20\text{ mV}$ tolerance, MFR_SPEC_13[7:3] = 10x10b		1010		
		$V_{SLEW-MODE} = 1.222\text{ V}$ with $\pm 20\text{ mV}$ tolerance, MFR_SPEC_13[7:3] = 10x11b		1011		
		$V_{SLEW-MODE} = 1.328\text{ V}$ with $\pm 20\text{ mV}$ tolerance, MFR_SPEC_13[7:3] = 11x00b		1100		
		$V_{SLEW-MODE} = 1.434\text{ V}$ with $\pm 20\text{ mV}$ tolerance, MFR_SPEC_13[7:3] = 11x01b		1101		
$V_{SLEW-MODE} = 1.541\text{ V}$ with $\pm 20\text{ mV}$ tolerance, MFR_SPEC_13[7:3] = 11x10b		1110				
$V_{SLEW-MODE} = 1.615\text{ V}$ with $\pm 10\text{ mV}$ tolerance, MFR_SPEC_13[7:3] = 11x11b		1111				
O-USR PIN: OVERSHOOT AND UNDERSHOOT REDUCTION THRESHOLD SETTING						
V_{OSR}	OSR voltage setting	$R_{O-USR} \leq 20\text{ k}\Omega$ or MFR_SPEC_09 [2:0] = 000b	20	30	40	mV
		$R_{O-USR} = 24\text{ k}\Omega$ or MFR_SPEC_09 [2:0] = 001b	30	40	50	
		$R_{O-USR} = 30\text{ k}\Omega$ or MFR_SPEC_09 [2:0] = 010b	50	60	70	
		$R_{O-USR} = 39\text{ k}\Omega$ or MFR_SPEC_09 [2:0] = 011b	70	80	90	
		$R_{O-USR} = 56\text{ k}\Omega$ or MFR_SPEC_09 [2:0] = 100b	90	100	110	
		$R_{O-USR} = 75\text{ k}\Omega$ or MFR_SPEC_09 [2:0] = 101b	110	120	130	
		$R_{O-USR} = 100\text{ k}\Omega$ or MFR_SPEC_09 [2:0] = 110b	130	140	150	
		$R_{O-USR} \geq 150\text{ k}\Omega$ or MFR_SPEC_09 [2:0] = 111b		OFF		
V_{USR}	USR voltage setting	$V_{O-USR} = 0.2\text{ V}$ with $\pm 50\text{ mV}$ tolerance or MFR_SPEC_09 [6:4] = 000b	10	20	30	mV
		$V_{O-USR} = 0.4\text{ V}$ with $\pm 50\text{ mV}$ tolerance or MFR_SPEC_09 [6:4] = 001b	20	30	40	
		$V_{O-USR} = 0.6\text{ V}$ with $\pm 50\text{ mV}$ tolerance or MFR_SPEC_09 [6:4] = 010b	50	60	70	
		$V_{O-USR} = 0.8\text{ V}$ with $\pm 50\text{ mV}$ tolerance or MFR_SPEC_09 [6:4] = 011b	70	80	90	
		$V_{O-USR} = 1.0\text{ V}$ with $\pm 50\text{ mV}$ tolerance or MFR_SPEC_09 [6:4] = 100b	90	100	110	
		$V_{O-USR} = 1.2\text{ V}$ with $\pm 50\text{ mV}$ tolerance or MFR_SPEC_09 [6:4] = 101b	110	120	130	
		$V_{O-USR} = 1.4\text{ V}$ with $\pm 50\text{ mV}$ tolerance or MFR_SPEC_09 [6:4] = 110b	130	140	150	
	$1.55\text{ V} \leq V_{O-USR} \leq 1.6\text{ V}$ or MFR_SPEC_09 [6:4] = 111b		OFF			
V_{OSRHYS}	OSR voltage hysteresis ⁽¹⁾	All settings		10		mV
V_{USRHYS}	USR voltage hysteresis ⁽¹⁾	All settings		10		mV

(1) Specified by design. Not production tested.

Electrical Characteristics (continued)

 over recommended free-air temperature range, $V_{VIN} = 12\text{ V}$, $V_{V5} = 5\text{ V}$, $V_{VSN} = \text{GND}$, $V_{VSP} = V_{OUT}$ (unless otherwise noted).

PARAMETER		TEST CONDITIONS	MIN	TYP	MAX	UNIT	
VBOOT PIN: BOOT VOLTAGE SETTING							
$V_{BOOT}^{(1)}$	BOOT voltage setting (B ₃ B ₂ B ₁)	$R_{VBOOT} \leq 20\text{ k}\Omega$, or MFR_SPEC_11 [3:1] = 000b		000			
		$R_{VBOOT} = 24\text{ k}\Omega$, or MFR_SPEC_11 [3:1] = 001b		001			
		$R_{VBOOT} = 30\text{ k}\Omega$, or MFR_SPEC_11 [3:1] = 010b		010			
		$R_{VBOOT} = 39\text{ k}\Omega$, or MFR_SPEC_11 [3:1] = 011b		011			
		$R_{VBOOT} = 56\text{ k}\Omega$, or MFR_SPEC_11 [3:1] = 100b		100			
		$R_{VBOOT} = 75\text{ k}\Omega$, or MFR_SPEC_11 [3:1] = 101b		101			
		$R_{VBOOT} = 100\text{ k}\Omega$, or MFR_SPEC_11 [3:1] = 110b		110			
		$R_{VBOOT} \geq 150\text{ k}\Omega$, or MFR_SPEC_11 [3:1] = 111b		111			
	BOOT voltage setting (B ₇ B ₆ B ₅ B ₄)	$V_{VBOOT} \leq 0.053\text{ V}$ with $\pm 20\text{ mV}$ tolerance, or MFR_SPEC_11 [7:4] = 0000b			0000		
		$V_{VBOOT} = 0.159\text{ V}$ with $\pm 20\text{ mV}$ tolerance, or MFR_SPEC_11 [7:4] = 0001b			0001		
		$V_{VBOOT} = 0.266\text{ V}$ with $\pm 20\text{ mV}$ tolerance, or MFR_SPEC_11 [7:4] = 0010b			0010		
		$V_{VBOOT} = 0.372\text{ V}$ with $\pm 20\text{ mV}$ tolerance, or MFR_SPEC_11 [7:4] = 0011b			0011		
		$V_{VBOOT} = 0.478\text{ V}$ with $\pm 20\text{ mV}$ tolerance, or MFR_SPEC_11 [7:4] = 0100b			0100		
		$V_{VBOOT} = 0.584\text{ V}$ with $\pm 20\text{ mV}$ tolerance, or MFR_SPEC_11 [7:4] = 0101b			0101		
		$V_{VBOOT} = 0.691\text{ V}$ with $\pm 20\text{ mV}$ tolerance, or MFR_SPEC_11 [7:4] = 0110b			0110		
		$V_{VBOOT} = 0.797\text{ V}$ with $\pm 20\text{ mV}$ tolerance, or MFR_SPEC_11 [7:4] = 0111b			0111		
		$V_{VBOOT} = 0.903\text{ V}$ with $\pm 20\text{ mV}$ tolerance, or MFR_SPEC_11 [7:4] = 1000b			1000		
		$V_{VBOOT} = 1.009\text{ V}$ with $\pm 20\text{ mV}$ tolerance, or MFR_SPEC_11 [7:4] = 1001b			1001		
		$V_{VBOOT} = 1.116\text{ V}$ with $\pm 20\text{ mV}$ tolerance, or MFR_SPEC_11 [7:4] = 1010b			1010		
		$V_{VBOOT} = 1.222\text{ V}$ with $\pm 20\text{ mV}$ tolerance, or MFR_SPEC_11 [7:4] = 1011b			1011		
		$V_{VBOOT} = 1.328\text{ V}$ with $\pm 20\text{ mV}$ tolerance, or MFR_SPEC_11 [7:4] = 1100b			1100		
		$V_{VBOOT} = 1.434\text{ V}$ with $\pm 20\text{ mV}$ tolerance, or MFR_SPEC_11 [7:4] = 1101b			1101		
		$V_{VBOOT} = 1.541\text{ V}$ with $\pm 20\text{ mV}$ tolerance, or MFR_SPEC_11 [7:4] = 1110b			1110		
		$V_{VBOOT} = 1.615\text{ V}$ with $\pm 10\text{ mV}$ tolerance, or MFR_SPEC_11 [7:4] = 1111b			1111		
		PROTECTION: OVP, UVP, VR_RDY					
	V_{OVFPF}	Pre-bias OVP voltage threshold ⁽¹⁾	ENABLE is low and $V_{VSP} > V_{OVFPF}$, PWM → LO		2.75		V
	V_{OVPH5}	Fixed OVP voltage threshold (VR12.5)	ENABLE is high and $(V_{VSP} - V_{VSN}) > V_{OVPH5}$ for 1 μs , PWM → LO, $V_{OUT(max)} \leq 1.8\text{ V}$		2.2		V
			$1.8\text{ V} < V_{OUT(max)} \leq 2.0\text{ V}$		2.4		
$2.0\text{ V} < V_{OUT(max)} \leq 2.2\text{ V}$				2.6			
$V_{OUT(max)} > 2.2\text{ V}$				2.8			
V_{OVPF0}	Fixed OVP voltage threshold (VR12.0)	ENABLE is high and $(V_{VSP} - V_{VSN}) > V_{OVPH5}$ for 1 μs , PWM → LO,	1.7	1.75	1.8		
V_{OVPT5}	Tracking OVP offset (VR12.5)	Measured at the VSP pin w/r/t VID code, device latches OFF	340	375	405	mV	
V_{OVPT0}	Tracking OVP offset (VR12.0)	Measured at the VSP pin w/r/t VID code, device latches OFF	200	225	250	mV	
V_{RDYL}	VR_RDY low (UVP) threshold	Measured at the VSP pin w/r/t VID code, device latches OFF	175	207	235	mV	
$t_{RDYDGLTO}$	VR_RDY deglitch time	Time from VSP out of overvoltage threshold to VR_RDY low		1		μs	
$t_{RDYDGLTU}$	VR_RDY deglitch time	Time from VSP out of undervoltage threshold to VR_RDY low, ($f_{SW} = 500\text{ kHz}$)		32		μs	
t_{HICCUP}	Hiccup delay after UVP and OCP			22		ms	

Electrical Characteristics (continued)

 over recommended free-air temperature range, $V_{VIN} = 12\text{ V}$, $V_{V5} = 5\text{ V}$, $V_{VSN} = \text{GND}$, $V_{VSP} = V_{OUT}$ (unless otherwise noted).

PARAMETER	TEST CONDITIONS	MIN	TYP	MAX	UNIT	
TSEN PIN AND THERMAL SHUTDOWN: THERMAL VOLTAGE LEVELS						
V_{TSEN}	Thermal voltage definition	$T_J = 90^\circ\text{C}$		1.32	V	
		$T_J = 95^\circ\text{C}$		1.36		
		$T_J = 100^\circ\text{C}$		1.4		
		$T_J = 105^\circ\text{C}$		1.44		
		$T_J = 110^\circ\text{C}$		1.48		
		$T_J = 115^\circ\text{C}$		1.52		
		$T_J = 120^\circ\text{C}$		1.56		
I_{TSEN}	TSEN current	Leakage current		-3	3	μA
OTP_{THLD}	Over temperature protection threshold	Based on the temperature measured on TSEN pin, default value		125		$^\circ\text{C}$
OTP_{HYS}	Over temperature protection hysteresis			15		$^\circ\text{C}$
PWM and SKIP-NVM OUTPUT: I/O VOLTAGE AND CURRENT$^\circ\text{C}$						
V_{PWML}	PWMx output low level	$I_{LOAD} = -1\text{ mA}$		0.15	0.3	V
V_{PWMH}	PWMx output high Level	$I_{LOAD} = +1\text{ mA}$	2.5			V
$V_{SKIP-NVM_L}$	SKIP-NVM output low Level	$I_{LOAD} = -1\text{ mA}$		0.15	0.3	V
$V_{SKIP-NVM_H}$	SKIP-NVM output high Level	$I_{LOAD} = +1\text{ mA}$	2.5			V
R_{P-S_UV}	PWMx/SKIP-NVM resistance ⁽¹⁾	ENABLE = LOW, or UVLO		10		$\text{M}\Omega$
DYNAMIC PHASE SHEDDING: THRESHOLDS						
I_{DPSTHL}	Dynamic phase add/drop low threshold current	MFR_SPEC_15 [3] = 0b		N.A	A	
		MFR_SPEC_15 [3] = 1b		$10\% \times 4 \times I_{OCLx}$		
I_{DPSTHH}	Dynamic phase add/drop high threshold voltage	MFR_SPEC_15 [2:0] = 000b		$15\% \times 4 \times I_{OCLx}$	A	
		MFR_SPEC_15 [2:0] = 001b		$20\% \times 4 \times I_{OCLx}$		
		MFR_SPEC_15 [2:0] = 010b		$25\% \times 4 \times I_{OCLx}$		
		MFR_SPEC_15 [2:0] = 011b		$30\% \times 4 \times I_{OCLx}$		
		MFR_SPEC_15 [2:0] = 1xxb		$35\% \times 4 \times I_{OCLx}$		
I_{DPSHYS}	Dynamic phase add/drop high hysteresis voltage	Hysteresis		$5\% \times 4 \times I_{OCLx}$	A	
PROGRAMMABLE DROOP SETTING						
DROOP	Droop percentage settings	MFR_SPEC_08 [7:0] = 00h		0	%	
		MFR_SPEC_08 [7:0] = 01h		25		
		MFR_SPEC_08 [7:0] = 02h		50		
		MFR_SPEC_08 [7:0] = 03h		75		
		MFR_SPEC_08 [7:0] = 04h (Default Setting)		100		
		MFR_SPEC_08 [7:0] = 10h		80		
		MFR_SPEC_08 [7:0] = 20h		85		
		MFR_SPEC_08 [7:0] = 30h		90		
		MFR_SPEC_08 [7:0] = 40h		95		
		MFR_SPEC_08 [7:0] = 50h		105		
		MFR_SPEC_08 [7:0] = 60h		110		
		MFR_SPEC_08 [7:0] = 70h		115		
		MFR_SPEC_08 [7:0] = 80h		120		
		MFR_SPEC_08 [7:0] = 90h		125		
MFR_SPEC_08 [7:0] = A0h		150				
SKIP-NVM PIN: PROGRAM MODE SETTING (NVM OR PINSTRAP)						
PGRM	Program mode for the configurations	$R_{SKIP-NVM} \leq 20\text{ k}\Omega$		Pinstrap	Program Mode	
		$R_{SKIP-NVM} \geq 100\text{ k}\Omega$		NVM		

Electrical Characteristics (continued)

over recommended free-air temperature range, $V_{VIN} = 12\text{ V}$, $V_{V5} = 5\text{ V}$, $V_{VSN} = \text{GND}$, $V_{VSP} = V_{OUT}$ (unless otherwise noted).

PARAMETER		TEST CONDITIONS	MIN	TYP	MAX	UNIT
IMON PIN: CURRENT MONITOR						
$I_{IMON4LK}$	0% IMAX level current output	4 phase, IMAX=80A, $\Sigma i_L = 0\text{ A}$, $R_{IMON}=74.38\text{k}\Omega$	0		4	A
$I_{IMON4LO}$	20% IMAX level current output	4 phase, IMAX=80A, $\Sigma i_L = 16\text{ A}$, $R_{IMON}=74.38\text{k}\Omega$	13	16	18.5	A
$I_{IMON4MID}$	100% IMAX level current output	4 phase, IMAX=80A, $\Sigma i_L = 80\text{ A}$, $R_{IMON}=74.38\text{k}\Omega$	75	80	84	A
$I_{IMON4HI}$	125% IMAX level current output	4 phase, IMAX=80A, $\Sigma i_L = 100\text{ A}$, $R_{IMON}=74.38\text{k}\Omega$	94	100	105	A
VOUT MEASUREMENT: READ_VOUT						
$M_{VOUT(mg)}$	V_{OUT} measurement range		0.5		2.3	V
READ_VOUT accuracy		$0.5\text{ V} \leq V_{OUT} < 0.7\text{ V}$, VR12.0 mode	-2		+2	VID
		$0.7\text{ V} \leq V_{OUT} \leq 1.0\text{ V}$, VR12.0 mode	-1		+1	
		$1.0\text{ V} < V_{OUT} \leq 1.52\text{ V}$, VR12.0 mode	-2		+2	
		$0.5\text{ V} \leq V_{OUT} \leq 2.3\text{ V}$, VR12.5 mode	-1		+1	
MFR_READ_VOUT accuracy		$0.5\text{ V} \leq V_{OUT} < 0.7\text{ V}$, VR12.0 mode	-12.5		12.5	mV
		$0.7\text{ V} \leq V_{OUT} \leq 1.0\text{ V}$, VR12.0 mode	-7.5		7.5	
		$1.0\text{ V} < V_{OUT} \leq 1.52\text{ V}$, VR12.0 mode	-10		10	
		$0.5\text{ V} \leq V_{OUT} \leq 2.3\text{ V}$, VR12.5 mode	-12.5		12.5	

6.6 I/O Timing Requirements

			MIN	TYP	MAX	UNIT
$t_{STARTUP1}$	Startup time	$V_{BOOT} > 0\text{ V}$, no faults, time from V3R3 high to VOUT ramp, $C_{VREF} = 1\text{ }\mu\text{F}$			1.2	ms
$t_{STARTUP2}$	Startup time	$V_{BOOT} > 0\text{ V}$, no faults, time from V3R3 high until the controller responds to PMBus commands, $C_{VREF} = 1\text{ }\mu\text{F}$			1.5	ms
t_{RDY_POD}	VR_RDY power-on-delay time ⁽¹⁾	DAC settled to VR_RDY going high		1		ms
t_{OFF_MIN}	Controller minimum OFF time ⁽¹⁾	Fixed value	20	50	80	ns
t_{EN_RDY}	ENABLE low to VR_RDY low		20		100	ns
t_{RDY_VSP}	VR_RDY low to VSP change ⁽¹⁾				100	ns

(1) Specified by design. Not production tested.

6.7 Switching Characteristics

 $T_A = 25^\circ\text{C}$. (unless otherwise noted)

PARAMETER	TEST CONDITIONS	MIN	TYP	MAX	UNIT	
F-IMAX PIN: FREQUENCY						
f_{sw}	Switching frequency	$V_{\text{VIN}} = 12\text{ V}$, $V_{\text{VSP}} = 1.7\text{ V}$ $R_{\text{F-IMAX}} = 20\text{ k}\Omega$ and $\text{MFR_SPEC_12}[7] = 0\text{b}$; or $\text{MFR_SPEC_12}[7:4] = 0000\text{b}$	270	300	330	kHz
		$V_{\text{VIN}} = 12\text{ V}$, $V_{\text{VSP}} = 1.7\text{ V}$ $R_{\text{F-IMAX}} = 24\text{ k}\Omega$ and $\text{MFR_SPEC_12}[7] = 0\text{b}$; or $\text{MFR_SPEC_12}[7:4] = 0001\text{b}$	360	400	440	
		$V_{\text{VIN}} = 12\text{ V}$, $V_{\text{VSP}} = 1.7\text{ V}$ $R_{\text{F-IMAX}} = 30\text{ k}\Omega$ and $\text{MFR_SPEC_12}[7] = 0\text{b}$; or $\text{MFR_SPEC_12}[7:4] = 0010\text{b}$	450	500	550	
		$V_{\text{VIN}} = 12\text{ V}$, $V_{\text{VSP}} = 1.7\text{ V}$ $R_{\text{F-IMAX}} = 39\text{ k}\Omega$ and $\text{MFR_SPEC_12}[7] = 0\text{b}$; or $\text{MFR_SPEC_12}[7:4] = 0011\text{b}$	540	600	660	
		$V_{\text{VIN}} = 12\text{ V}$, $V_{\text{VSP}} = 1.7\text{ V}$ $R_{\text{F-IMAX}} = 56\text{ k}\Omega$ and $\text{MFR_SPEC_12}[7] = 0\text{b}$; or $\text{MFR_SPEC_12}[7:4] = 0100\text{b}$	630	700	770	
		$V_{\text{VIN}} = 12\text{ V}$, $V_{\text{VSP}} = 1.7\text{ V}$ $R_{\text{F-IMAX}} = 75\text{ k}\Omega$ and $\text{MFR_SPEC_12}[7] = 0\text{b}$; or $\text{MFR_SPEC_12}[7:4] = 0101\text{b}$	720	800	880	
		$V_{\text{VIN}} = 12\text{ V}$, $V_{\text{VSP}} = 1.7\text{ V}$ $R_{\text{F-IMAX}} = 100\text{ k}\Omega$ and $\text{MFR_SPEC_12}[7] = 0\text{b}$; or $\text{MFR_SPEC_12}[7:4] = 0110\text{b}$	810	900	990	
		$V_{\text{VIN}} = 12\text{ V}$, $V_{\text{VSP}} = 1.7\text{ V}$ $R_{\text{F-IMAX}} = 150\text{ k}\Omega$ and $\text{MFR_SPEC_12}[7] = 0\text{b}$; or $\text{MFR_SPEC_12}[7:4] = 0111\text{b}$	900	1000	1100	
		$V_{\text{VIN}} = 12\text{ V}$, $V_{\text{VSP}} = 1.7\text{ V}$ $R_{\text{F-IMAX}} = 20\text{ k}\Omega$ and $\text{MFR_SPEC_12}[7] = 1\text{b}$; or $\text{MFR_SPEC_12}[7:4] = 1000\text{b}$	315	350	385	
		$V_{\text{VIN}} = 12\text{ V}$, $V_{\text{VSP}} = 1.7\text{ V}$ $R_{\text{F-IMAX}} = 24\text{ k}\Omega$ and $\text{MFR_SPEC_12}[7] = 1\text{b}$; or $\text{MFR_SPEC_12}[7:4] = 1001\text{b}$	405	450	495	
		$V_{\text{VIN}} = 12\text{ V}$, $V_{\text{VSP}} = 1.7\text{ V}$ $R_{\text{F-IMAX}} = 30\text{ k}\Omega$ and $\text{MFR_SPEC_12}[7] = 1\text{b}$; or $\text{MFR_SPEC_12}[7:4] = 1010\text{b}$	495	550	605	
		$V_{\text{VIN}} = 12\text{ V}$, $V_{\text{VSP}} = 1.7\text{ V}$ $R_{\text{F-IMAX}} = 39\text{ k}\Omega$ and $\text{MFR_SPEC_12}[7] = 1\text{b}$; or $\text{MFR_SPEC_12}[7:4] = 1011\text{b}$	585	650	715	
		$V_{\text{VIN}} = 12\text{ V}$, $V_{\text{VSP}} = 1.7\text{ V}$ $R_{\text{F-IMAX}} = 56\text{ k}\Omega$ and $\text{MFR_SPEC_12}[7] = 1\text{b}$; or $\text{MFR_SPEC_12}[7:4] = 1100\text{b}$	675	750	825	
		$V_{\text{VIN}} = 12\text{ V}$, $V_{\text{VSP}} = 1.7\text{ V}$ $R_{\text{F-IMAX}} = 75\text{ k}\Omega$ and $\text{MFR_SPEC_12}[7] = 1\text{b}$; or $\text{MFR_SPEC_12}[7:4] = 1101\text{b}$	765	850	935	
		$V_{\text{VIN}} = 12\text{ V}$, $V_{\text{VSP}} = 1.7\text{ V}$ $R_{\text{F-IMAX}} = 100\text{ k}\Omega$ and $\text{MFR_SPEC_12}[7] = 1\text{b}$; or $\text{MFR_SPEC_12}[7:4] = 1110\text{b}$	855	950	1045	
		$V_{\text{VIN}} = 12\text{ V}$, $V_{\text{VSP}} = 1.7\text{ V}$ $R_{\text{F-IMAX}} = 150\text{ k}\Omega$ and $\text{MFR_SPEC_12}[7] = 1\text{b}$; or $\text{MFR_SPEC_12}[7:4] = 1111\text{b}$	900	1000	1100	

6.8 Typical Characteristics

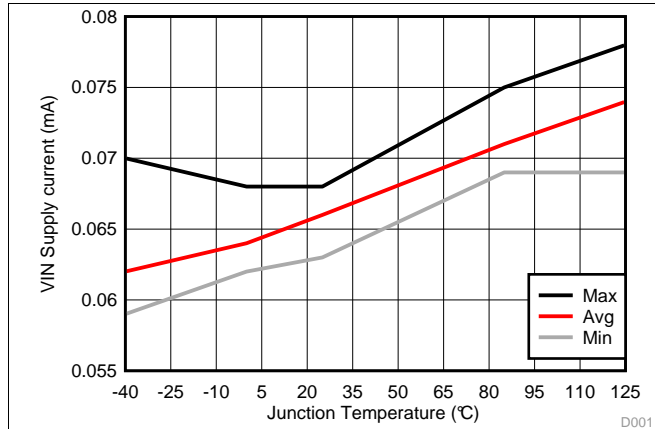


Figure 1. VIN Supply Current vs Junction Temperature

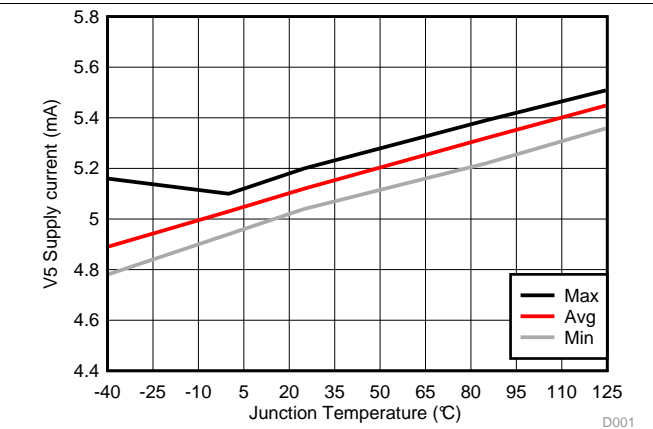


Figure 2. V5 Supply Current vs Junction Temperature

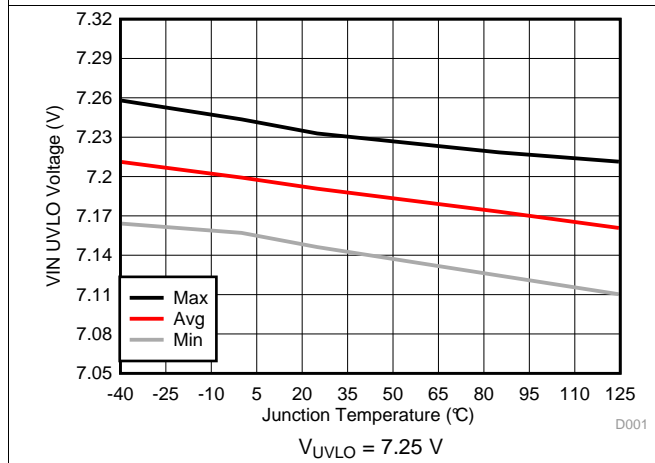


Figure 3. VIN UVLO Voltage vs Junction Temperature

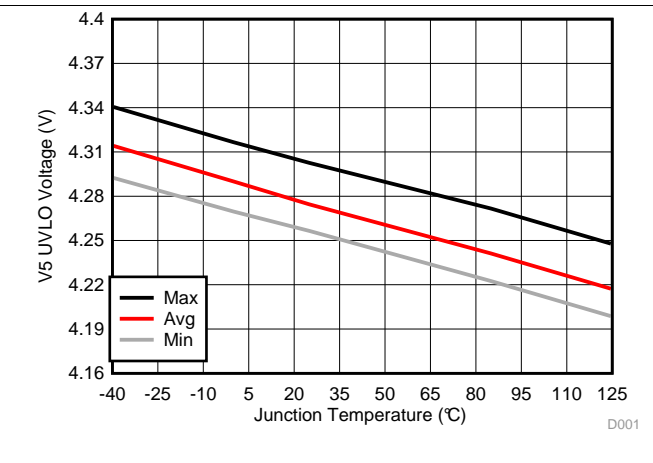


Figure 4. V5 UVLO Voltage vs Junction Temperature

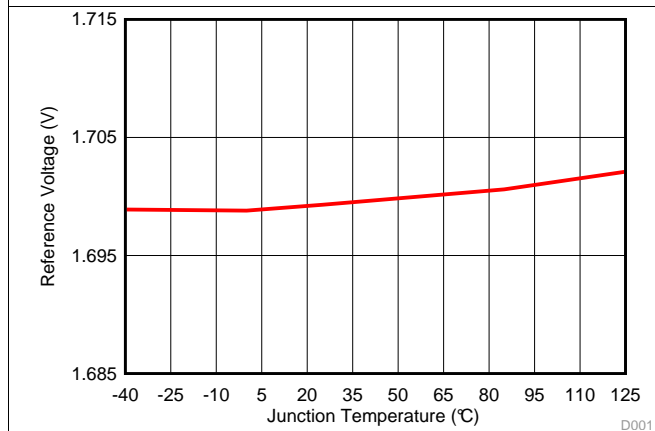


Figure 5. Reference Voltage vs Junction Temperature

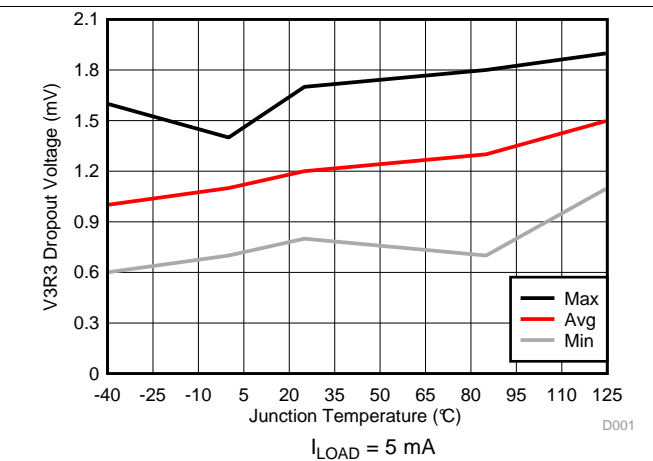


Figure 6. V3R3 Load Regulation vs Junction Temperature

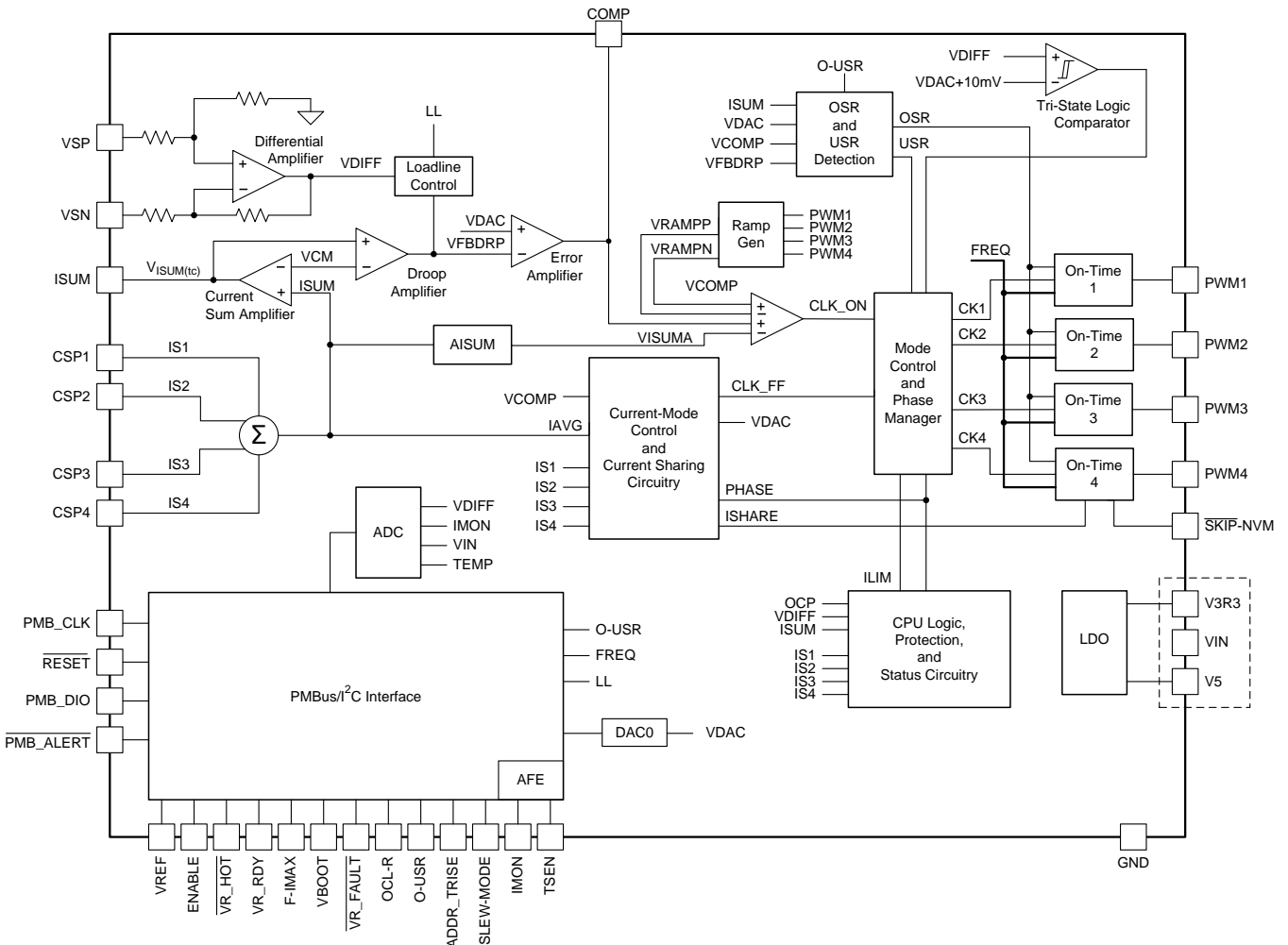
7 Detailed Description

7.1 Overview

The TPS53647 device is a DCAP+ mode adaptive on-time controller.

The output voltage is set using a DAC that outputs a reference in accordance with the 8-bit VID code defined in [Table 1](#). In adaptive on-time converters, the controller varies the on-time as a function of input and output voltage to maintain a nearly constant frequency during steady-state conditions. In conventional voltage-mode constant on-time converters, each cycle begins when the output voltage crosses to a fixed reference level. However, in the TPS53647 device, the cycle begins when the current feedback reaches an error voltage level which corresponds to the amplified voltage difference between the DAC voltage and the feedback output voltage with droop. In the case of multi-phase operations, the current feedback from all the phases is summed, and is amplified using the ISUM pin to adjust the load-line. Also zero-load line operation can be easily configured with external resistor or internal NVM selection.

7.2 Functional Block Diagram



7.3 Feature Description

7.3.1 V3R3 LDO

V3R3 is an LDO output generated from V5. It is used as internal digital circuit supply and 1-uF to 4.7-uF ceramic decoupling capacitor to GND pin is recommended.

When V5 exceeds $V_{V5UVLOH}$ (4.25 V typically), V3R3 begins to ramp up. The startup time for V3R3 is approximately 600 μ s as shown in Figure 7.

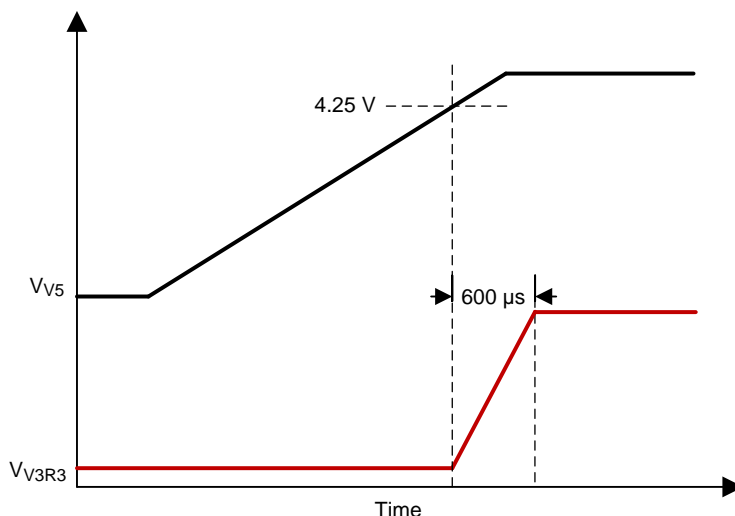


Figure 7. V3R3 Startup Waveform

After V3R3 has reached its operational level, the TPS53647 begins to initialize the internal circuit and reads the pinstrap configurations. This pinstrap reading completes in approximately 1.2 ms, and can communicate to the PMBus 1.5 ms after V3R3 powers up.

NOTE

This device does not require a high ENABLE signal in order for the V3R3 LDO to start up.

Use V3R3 as pull-up voltage for CSPx (to disable phases), ENABLE, VR_RDY, $\overline{VR_HOT}$, and $\overline{VR_FAULT}$. Because the V3R3 maximum current capability is approximately 5 mA, choose pull-up resistances carefully.

Directly tie CSP4, CSP3, or CSP2 to the V3R3 pin according to Table 3 to disable the corresponding phase.

Feature Description (continued)

7.3.2 PWM Operation

As shown in the [Functional Block Diagram](#), in 4-phase continuous conduction mode, the device operates as described in [Figure 8](#).

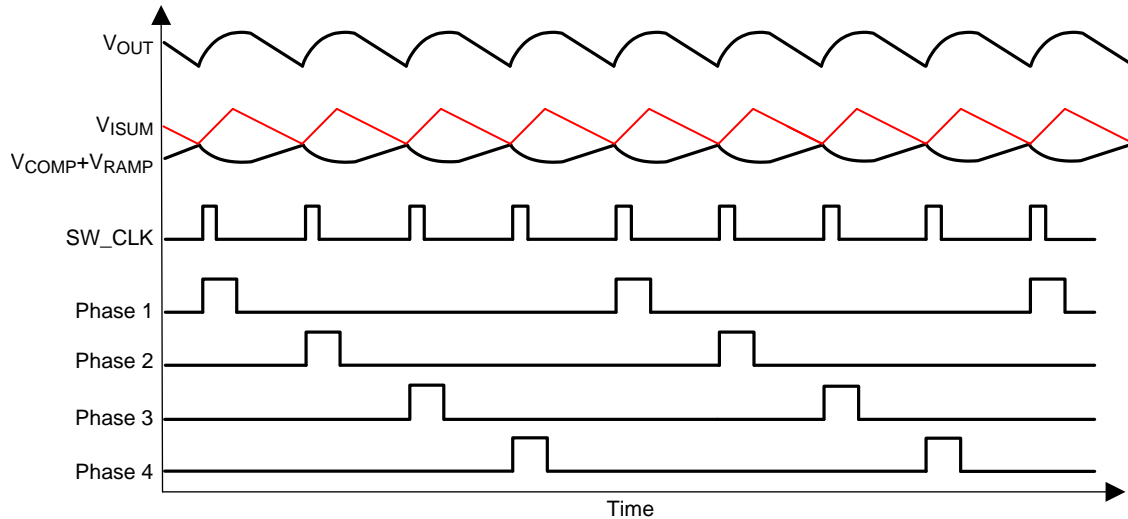


Figure 8. D-CAP+ Mode Basic Waveforms

Starting with the condition that the high-side FETs are off and the low-side FETs are on, the summed current feedback (V_{ISUM}) is higher than the summed error amplifier output (V_{COMP}) and the internal ramp signal (V_{RAMP}). I_{SUM} falls until it hits $V_{COMP} + V_{RAMP}$, which contains a component of the output ripple voltage. The PWM comparator senses where the two waveforms cross and triggers the on-time generator. This generates the internal SW_CLK. Each SW_CLK corresponds to one switching ON pulse for one phase.

In case of single-phase operation, every SW_CLK generates a switching pulse on the same phase. Also, V_{ISUM} corresponds to just a single-phase inductor current.

In case of multi-phase operation, the SW_CLK gets distributed to each of the phases in a cycle. This approach of using the summed inductor current and cyclically distributing the ON pulses to each phase automatically gives the required interleaving of $360 / n$, where n is the number of phases.

7.3.3 Current Sense and IMON Calculation

The TPS53647 device provides independent channels of current feedback for every phase to increase the system accuracy and reduce the dependence of circuit performance on layout compared to an externally summed architecture. The current sensing signals are from TI smart power stages (at 5mV/A) (ex: CSD95372BQ5MC) and are already temperature-compensated. The pins CSP1, CSP2, CSP3, and CSP4 are used for the individual phases of the phase current sensing.

The sensed currents are then summed together and generate a current output to IMON pin. A resistor is connected to IMON pin to generate the V_{IMON} voltage.

$$V_{IMON} = \left(\frac{\sum_{1}^{x=n} V_{CSPx}}{n} - V_{REF} \right) \times n \times \frac{R_{IMON}}{35 \text{ k}\Omega}$$

where

- V_{CSPx} is the voltage of CSPx pin
 - n is the number of active phases
 - R_{IMON} is the value of resistor between the IMON pin and GND in $\text{k}\Omega$
- (1)

Then the V_{IMON} voltage translates to a digital IMON reading as shown in [Equation 2](#).

Feature Description (continued)

$$I_{\text{IMON}} = \frac{I_{\text{MAX}} \times V_{\text{IMON}}}{0.85}$$

where

- 0.85 is the voltage correlated to I_{MAX} (2)

When V_{IMON} is 0.85 V, the IMON reading should be equal to I_{MAX} .

The digital IMON then can be reported to the system by using PMBus command READ_IOUT.

7.3.4 Setting the Load-Line (DROOP)

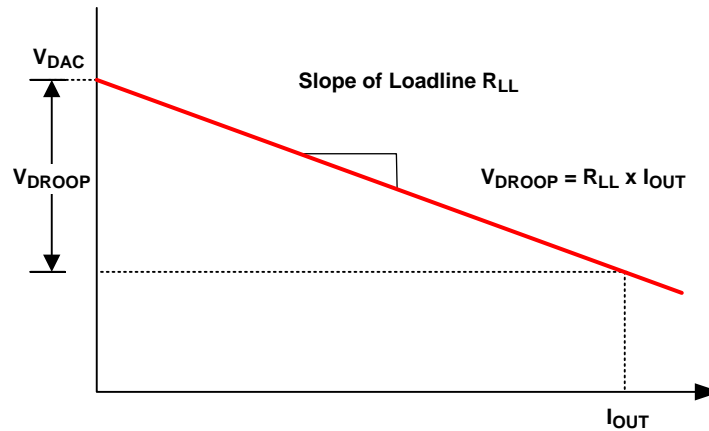


Figure 9. Load Line

A resistor between the ISUM pin and the VREF pin sets the load line in non-zero load line mode.

$$V_{\text{DROOP}} = R_{\text{LL}} \times I_{\text{OUT}} = g_{\text{M}(\text{isum})} \times R_{\text{ISUM}} \times R_{\text{CS}} \times \frac{1}{6} \times I_{\text{OUT}}$$

where

- $g_{\text{M}(\text{isum})}$ is the gain of the internal I_{SUM} amplifier, (500 μS typical)
- R_{ISUM} is the value of resistor between the ISUM pin and the VREF pin to adjust the load line
- R_{CS} is the effective current sense resistance of TI smart power stages, (5 m Ω for CSD95372BQ5MC)
- I_{OUT} is the load current (3)

A desired zero load-line can be implemented by putting a 0 Ω between ISUM and VREF pins or by shorting the ISUM and VREF pins directly.

7.3.5 Load Transitions

When there is a sudden load increase, the output voltage immediately drops. The TPS53647 device reacts to this drop in a rising voltage on the COMP pin. This rise forces the PWM pulses to come in sooner and more frequently which causes the inductor current to rapidly increase. As the inductor current reaches the new load current, the device reaches a steady-state operating condition and the PWM switching resumes the steady-state frequency.

When there is a sudden load release, the output voltage flies high. The TPS53647 device reacts to this rise in a falling voltage on the COMP pin. This drop forces the PWM pulses to be delayed until the inductor current reaches the new load current. At that point, the switching resumes and steady-state switching continues.

Please note in [Figure 10](#) and [Figure 11](#), the ripples on V_{OUT} , V_{RAMP} , and V_{COMP} voltages are not shown for simplicity.

Feature Description (continued)

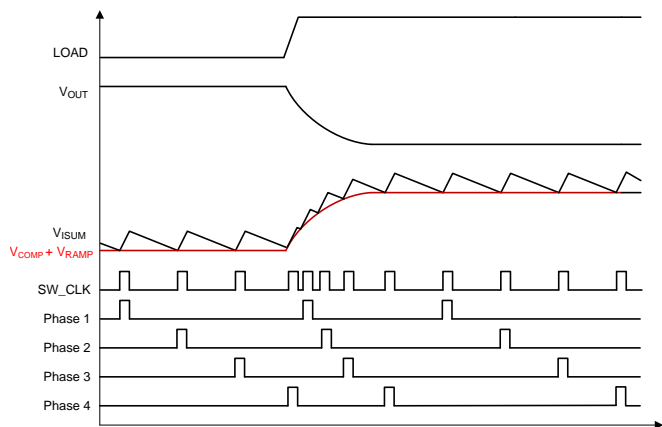


Figure 10. Load Insertion

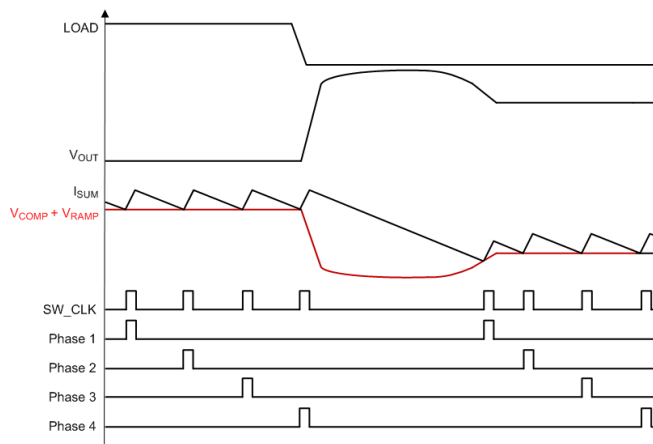


Figure 11. Load Release

7.3.6 Overshoot Reduction (OSR)

The problem of overshoot in low duty-cycle synchronous buck converters is well known, and results from the output inductor having a small voltage (V_{OUT}) with which to respond to a transient load release.

For simplicity, Figure 12 shows a single phase converter. In an ideal converter, with typical input voltage of 12 V and a 1.0-V output, the inductor has 11.0 V (12 V – 1.0 V) to respond to a transient load increase, but only 1.0 V to respond once the load releases.

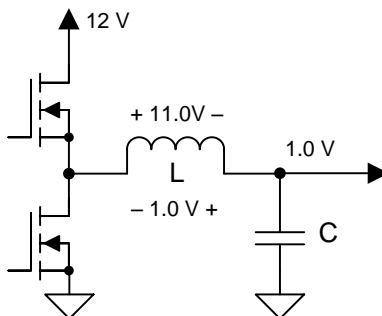
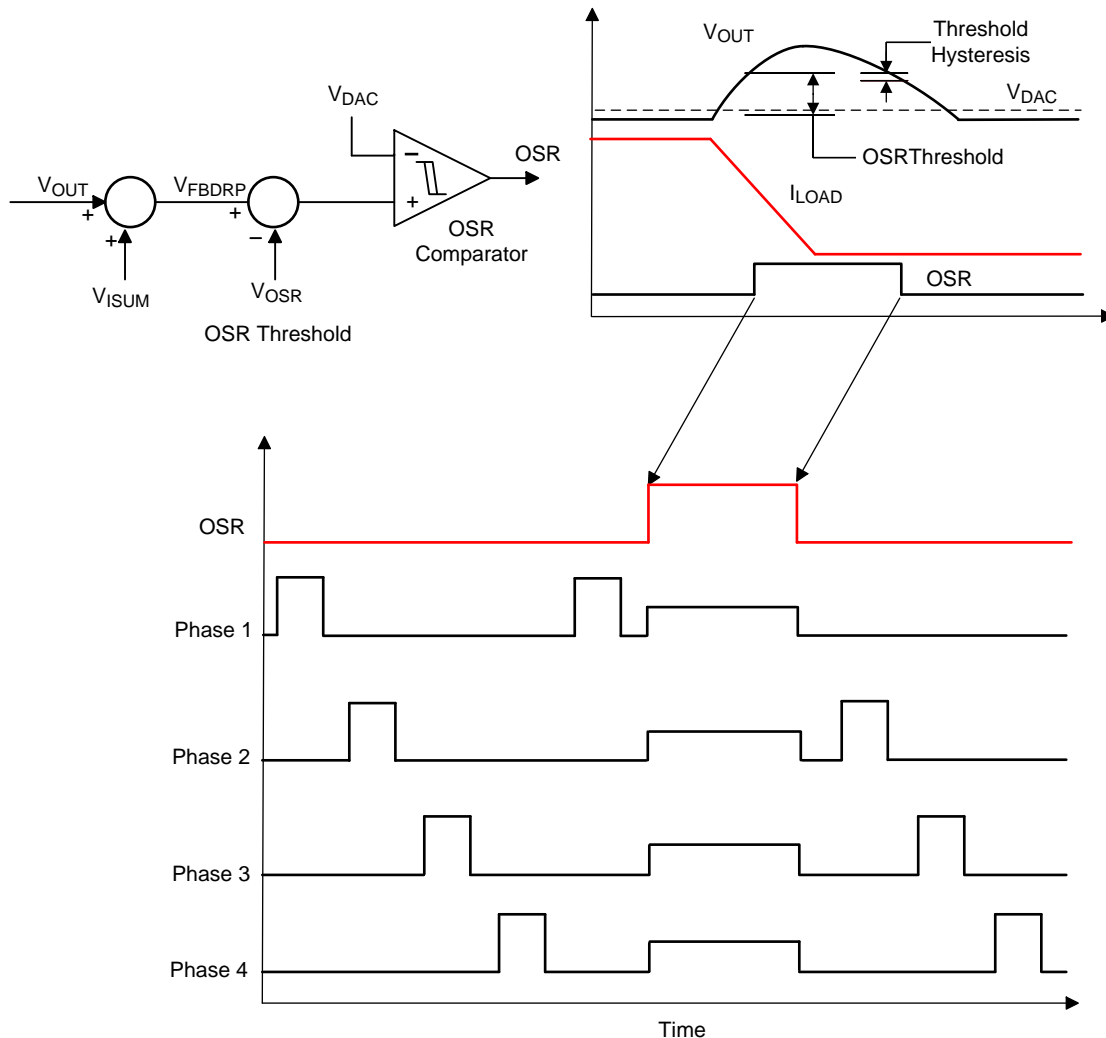


Figure 12. Representative Schematic of Synchronous Buck Converter Circuit

With the Overshoot Reduction (OSR) feature enabled, when the summed voltage of V_{OUT} and V_{DROOP} exceeds the DAC voltage V_{DAC} by the OSR value specified in the [Electrical Characteristics](#) table, the PWM pulses immediately become tri-state to turn off both the high-side and low-side FETs. When the low-side FETs are turned OFF, the energy in the inductor is partially dissipated by the body diodes. Please note the ON pulse width can be also truncated immediately regardless of the load transient timing, and this feature can further reduce the overshoot when compared to the conventional constant on-time controllers as shown in [Figure 13](#).

Feature Description (continued)

Figure 13. Performance for a Load Transient Release with OSR Enabled
7.3.7 Undershoot Reduction (USR)

When the transient load increase becomes quite large, it becomes difficult to meet the energy demanded by the load especially at lower input voltages. Then it is necessary to quickly increase the energy in the inductors during the transient load increase. This is achieved in TPS53647 by enabling pulse overlapping. In order to maintain the interleaving of the multi-phase configuration and yet be able to have pulse-overlapping during load-insertion, the Undershoot Reduction (USR) mode is entered only when necessary. This mode is entered when the difference between DAC voltage and the summed voltage of V_{OUT} and V_{DROOP} exceeds the USR voltage level specified in the [Electrical Characteristics](#) table.

The waveforms in [Figure 14](#) indicate the performance with USR. It can be seen that it is possible to eliminate undershoot by enabling USR. This allows reduced output capacitance to be used and still meets the specification.

When the transient condition is over, the interleaving of the phases is resumed.

Feature Description (continued)

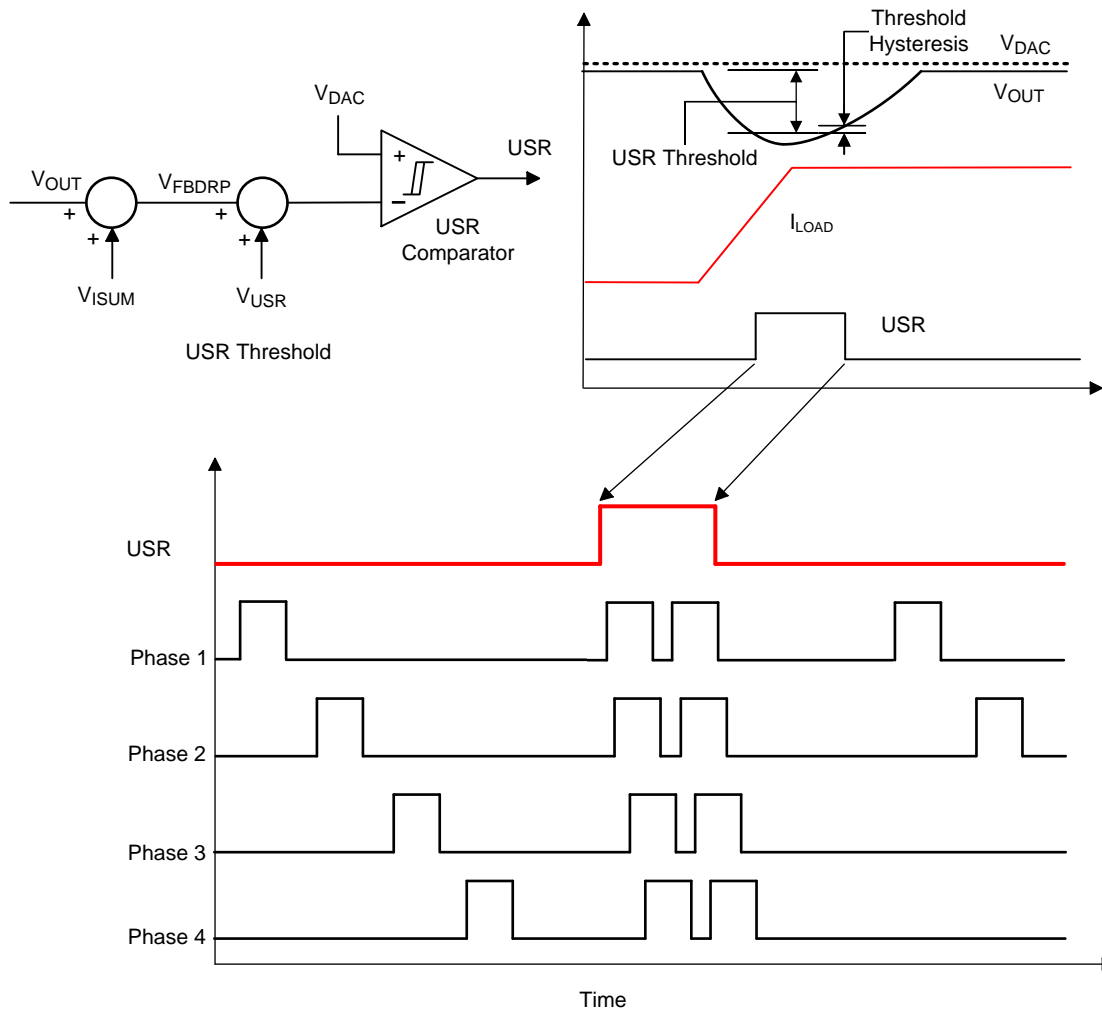
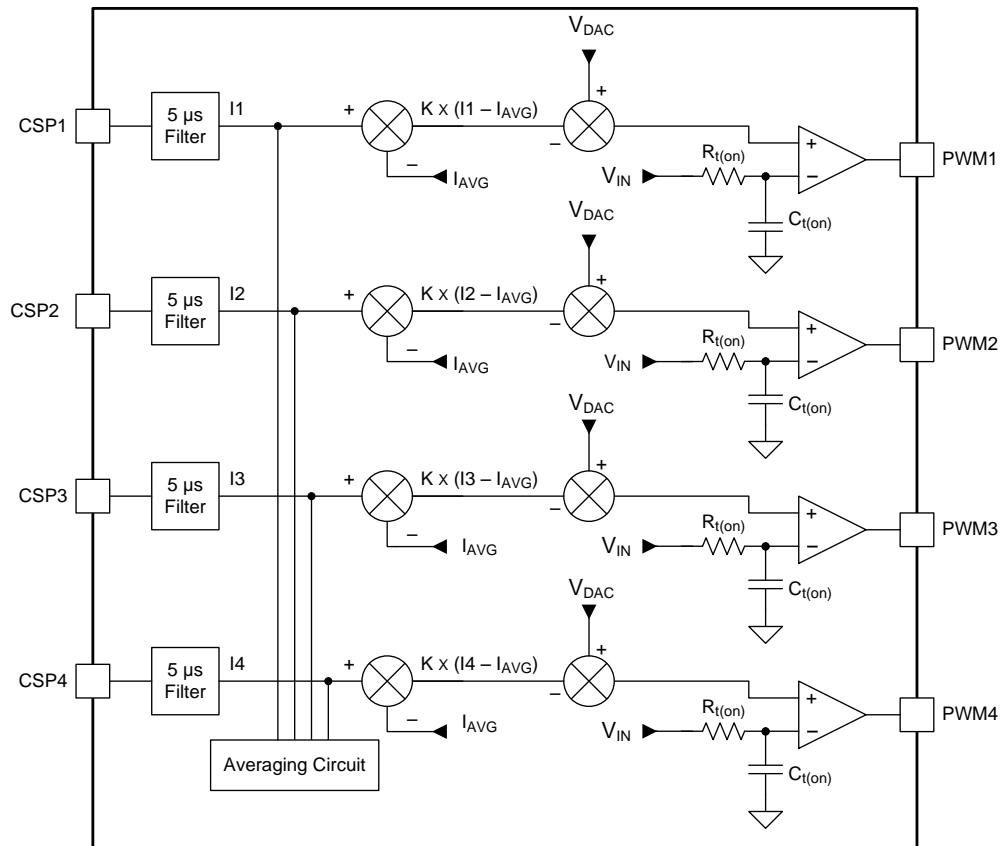


Figure 14. Performance for a Load Transient Step-up With USR Enabled

7.3.8 AutoBalance™ Current Sharing

The basic mechanism for current sharing is to sense the average phase current, then adjust the pulse width of each phase to equalize the current in each phase as shown in Figure 15. The PWM comparator (not shown) starts a pulse when the feedback voltage meets the reference. The V_{IN} voltage charges $C_{t(on)}$ through $R_{t(on)}$. The pulse terminates when the voltage at $C_{t(on)}$ matches the on-time reference, which normally equals the DAC voltage (V_{DAC}).

The circuit operates in the following fashion. First assume that the 5- μ s averaged value from each phase current are equal. In this case, the PWM modulator terminates at V_{DAC} , and the normal pulse width is delivered to the system. If $I_1 > I_{AVG}$, then an offset is subtracted from V_{DAC} , and the pulse width for Phase 1 is shortened to reduce the phase current in Phase 1 for balancing. If $I_1 < I_{AVG}$, then a longer pulse is generated to increase the phase current in Phase 1 to achieve current balancing.

Feature Description (continued)

Figure 15. AutoBalance Current Sharing Circuit Detail
7.3.9 Phase Overlap

During steady state operation, the on-pulses of each phase cannot overlap. Overlapping limits the duty cycle of the application. The duty cycle of the converter cannot exceed $1/n$ (where n is the phase number). The device allows phase overlapping during a transient period, during the USR trigger period.

7.3.10 VID

The DAC voltage V_{DAC} can be changed according to [Table 1](#).

The slew rate for a change is set by the resistor at SLEW-MODE pin, as defined in the [Electrical Characteristics](#) table.

Table 1. VID Table

VID Hex VALUE	VR12.0 VOLTAGE (V)	VR12.5 VOLTAGE (V)
00	0	0
01	0.25	0.50
02	0.255	0.51
03	0.26	0.52
04	0.265	0.53
05	0.27	0.54
06	0.275	0.55
07	0.28	0.56
08	0.285	0.57
09	0.29	0.58
0A	0.295	0.59
0B	0.30	0.60
0C	0.305	0.61
0D	0.31	0.62
0E	0.315	0.63
0F	0.32	0.64
10	0.325	0.65
11	0.33	0.66
12	0.335	0.67
13	0.34	0.68
14	0.345	0.69
15	0.35	0.70
16	0.355	0.71
17	0.36	0.72
18	0.365	0.73
19	0.37	0.74
1A	0.375	0.75
1B	0.38	0.76
1C	0.385	0.77
1D	0.39	0.78
1E	0.395	0.79
1F	0.40	0.80
20	0.405	0.81
21	0.41	0.82
22	0.415	0.83
23	0.42	0.84
24	0.425	0.85
25	0.43	0.86
26	0.435	0.87
27	0.44	0.88
28	0.445	0.89
29	0.45	0.90
2A	0.455	0.91
2B	0.46	0.92
2C	0.465	0.93
2D	0.47	0.94
2E	0.475	0.95

Table 1. VID Table (continued)

VID Hex VALUE	VR12.0 VOLTAGE (V)	VR12.5 VOLTAGE (V)
2F	0.48	0.96
30	0.485	0.97
31	0.49	0.98
32	0.495	0.99
33	0.50	1.00
34	0.505	1.01
35	0.51	1.02
36	0.515	1.03
37	0.52	1.04
38	0.525	1.05
39	0.53	1.06
3A	0.535	1.07
3B	0.54	1.08
3C	0.545	1.09
3D	0.55	1.10
3E	0.555	1.11
3F	0.56	1.12
40	0.565	1.13
41	0.57	1.14
42	0.575	1.15
43	0.58	1.16
44	0.585	1.17
45	0.59	1.18
46	0.595	1.19
47	0.60	1.20
48	0.605	1.21
49	0.61	1.22
4A	0.615	1.23
4B	0.62	1.24
4C	0.625	1.25
4D	0.63	1.26
4E	0.635	1.27
4F	0.64	1.28
50	0.645	1.29
51	0.65	1.30
52	0.655	1.31
53	0.66	1.32
54	0.665	1.33
55	0.67	1.34
56	0.675	1.35
57	0.68	1.36
58	0.685	1.37
59	0.69	1.38
5A	0.695	1.39
5B	0.70	1.40
5C	0.705	1.41
5D	0.71	1.42

Table 1. VID Table (continued)

VID Hex VALUE	VR12.0 VOLTAGE (V)	VR12.5 VOLTAGE (V)
5E	0.715	1.43
5F	0.72	1.44
60	0.725	1.45
61	0.73	1.46
62	0.735	1.47
63	0.74	1.48
64	0.745	1.49
65	0.75	1.50
66	0.755	1.51
67	0.76	1.52
68	0.765	1.53
69	0.77	1.54
6A	0.775	1.55
6B	0.78	1.56
6C	0.785	1.57
6D	0.79	1.58
6E	0.795	1.59
6F	0.80	1.60
70	0.805	1.61
71	0.81	1.62
72	0.815	1.63
73	0.82	1.64
74	0.825	1.65
75	0.83	1.66
76	0.835	1.67
77	0.84	1.68
78	0.845	1.69
79	0.85	1.70
7A	0.855	1.71
7B	0.86	1.72
7C	0.865	1.73
7D	0.87	1.74
7E	0.875	1.75
7F	0.88	1.76
80	0.885	1.77
81	0.89	1.78
82	0.895	1.79
83	0.90	1.80
84	0.905	1.81
85	0.91	1.82
86	0.915	1.83
87	0.92	1.84
88	0.925	1.85
89	0.93	1.86
8A	0.935	1.87
8B	0.94	1.88
8C	0.945	1.89

Table 1. VID Table (continued)

VID Hex VALUE	VR12.0 VOLTAGE (V)	VR12.5 VOLTAGE (V)
8D	0.95	1.90
8E	0.955	1.91
8F	0.96	1.92
90	0.965	1.93
91	0.97	1.94
92	0.975	1.95
93	0.98	1.96
94	0.985	1.97
95	0.99	1.98
96	0.995	1.99
97	1.00	2.00
98	1.005	2.01
99	1.01	2.02
9A	1.015	2.03
9B	1.02	2.04
9C	1.025	2.05
9D	1.03	2.06
9E	1.035	2.07
9F	1.04	2.08
A0	1.045	2.09
A1	1.05	2.10
A2	1.055	2.11
A3	1.06	2.12
A4	1.065	2.13
A5	1.07	2.14
A6	1.075	2.15
A7	1.08	2.16
A8	1.085	2.17
A9	1.09	2.18
AA	1.095	2.19
AB	1.10	2.20
AC	1.105	2.21
AD	1.11	2.22
AE	1.115	2.23
AF	1.12	2.24
B0	1.125	2.25
B1	1.13	2.26
B2	1.135	2.27
B3	1.14	2.28
B4	1.145	2.29
B5	1.15	2.30
B6	1.155	2.31
B7	1.16	2.32
B8	1.165	2.33
B9	1.17	2.34
BA	1.175	2.35
BB	1.18	2.36

Table 1. VID Table (continued)

VID Hex VALUE	VR12.0 VOLTAGE (V)	VR12.5 VOLTAGE (V)
BC	1.185	2.37
BD	1.19	2.38
BE	1.195	2.39
BF	1.20	2.40
C0	1.205	2.41
C1	1.21	2.42
C2	1.215	2.43
C3	1.22	2.44
C4	1.225	2.45
C5	1.23	2.46
C6	1.235	2.47
C7	1.24	2.48
C8	1.245	2.49
C9	1.25	2.50
CA	1.255	n/a
CB	1.26	n/a
CC	1.265	n/a
CD	1.27	n/a
CE	1.275	n/a
CF	1.28	n/a
D0	1.285	n/a
D1	1.29	n/a
D2	1.295	n/a
D3	1.30	n/a
D4	1.305	n/a
D5	1.31	n/a
D6	1.315	n/a
D7	1.32	n/a
D8	1.325	n/a
D9	1.33	n/a
DA	1.335	n/a
DB	1.34	n/a
DC	1.345	n/a
DD	1.35	n/a

Table 1. VID Table (continued)

VID Hex VALUE	VR12.0 VOLTAGE (V)	VR12.5 VOLTAGE (V)
DE	1.355	n/a
DF	1.36	n/a
E0	1.365	n/a
E1	1.37	n/a
E2	1.375	n/a
E3	1.38	n/a
E4	1.385	n/a
E5	1.39	n/a
E6	1.395	n/a
E7	1.40	n/a
E8	1.405	n/a
E9	1.41	n/a
EA	1.415	n/a
EB	1.42	n/a
EC	1.425	n/a
ED	1.43	n/a
EE	1.435	n/a
EF	1.44	n/a
F0	1.445	n/a
F1	1.45	n/a
F2	1.455	n/a
F3	1.46	n/a
F4	1.465	n/a
F5	1.47	n/a
F6	1.475	n/a
F7	1.48	n/a
F8	1.485	n/a
F9	1.49	n/a
FA	1.495	n/a
FB	1.50	n/a
FC	1.505	n/a
FD	1.51	n/a
FE	1.515	n/a
FF	1.52	n/a

7.3.11 PWM and $\overline{\text{SKIP}}$ Signals

The PWM and $\overline{\text{SKIP}}$ -NVM signals are output from the controller to drive the TI smart power stages. Both signals are 3.3-V logic based. The PWM signal is logic high to turn on the high-side MOSFET and logic low to turn on the low-side MOSFET. When both high-side and low-side MOSFETs are expected to be OFF, the PWM signal is driven to tri-state condition (1.7 V). The $\overline{\text{SKIP}}$ -NVM pin is asserted low during the soft-start period.

7.3.12 TSEN (Thermal Sense) Pin

TI smart power stage (ex: CSD95372BQ5MC) senses the die temperature and sends out the temperature information as a voltage through the TAO pin. In a multi-phase application, the TAO pin of the TI smart power stages are connected and then tied to the TSEN pin of the TPS53647 device. In this case, the device reports the temperature of the hottest power stage. The reported temperature can be calculated as shown in Equation 4.

$$\text{TEMP} = \frac{(V_{\text{TSEN}} - 0.6)}{0.008}$$

where

- TEMP is the sensed temperature in °C
- V_{TSEN} is the voltage at TSEN pin

(4)

NOTE

The maximum temperature that can be sensed is 127.9 °C. If the TSEN voltage (V_{TSEN}) is higher than the voltage associated to 127.9 °C, the device continues to report 127.9 °C.

TSEN signal is also used as an indicator for power stage fault. When an internal fault occurs in the TI smart power stage (CSD95372BQ5MC), the power stage pulls the TAO pin high. In the default configuration, if the TSEN voltage is higher than 2.5 V, the TPS53647 device senses the fault and turns off both the high-side and the low-side MOSFETS. There is also an option to disable power stage fault as described in MFR_SPECIFIC_07[3].

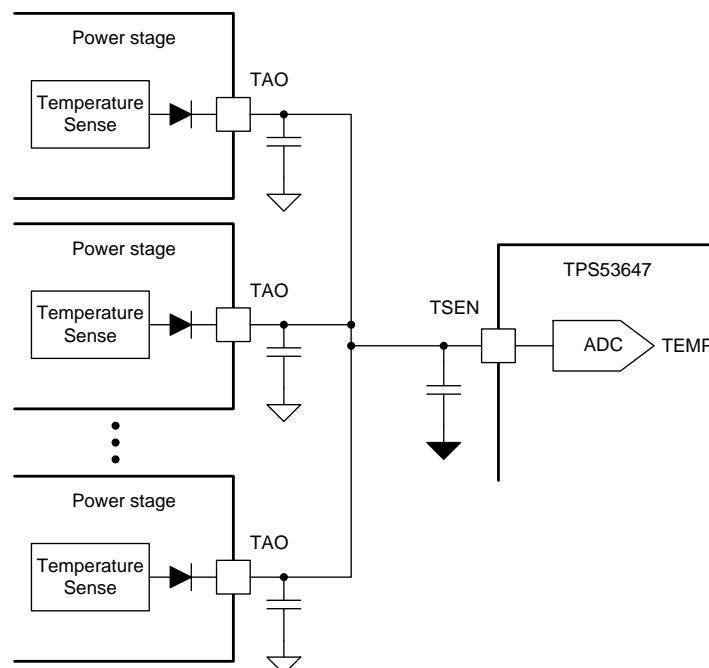


Figure 16. Temperature Sense

7.3.13 RESET Function

During adaptive voltage scaling (AVS) operation, the voltage may become falsely adjusted to be out of ASIC operating range. The RESET function returns the voltage to the VBOOT voltage. When the voltage is out of ASIC operating range, the ASIC issues a RESET signal to the TPS53647 device, as shown in Figure 17. The device senses this signal and after a delay of greater than 1 μs, it sets an internal RESET_FAULT signal and sets VOUT_COMMAND to VBOOT. The device pulls the output voltage to the VBOOT level with the slew rate set by SLEW-MODE pin, as shown in Figure 18.

When the RESET pin signal goes high, the internal RESET_FAULT signal goes low.

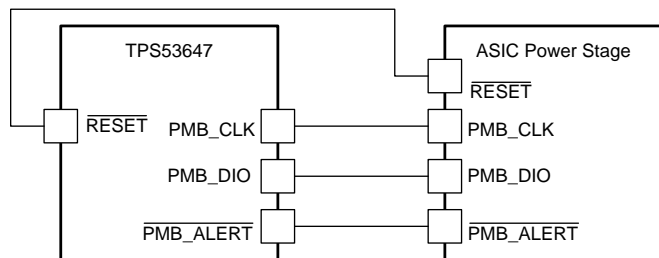


Figure 17. RESET Pin Connection

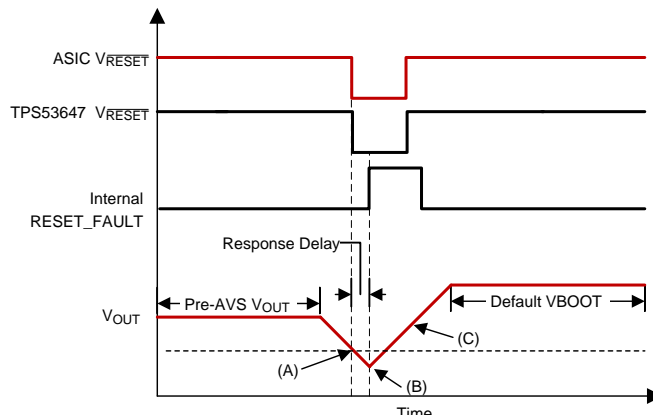


Figure 18. Reset Function

7.3.14 Input UVLO

The TPS53647 device continuously monitors the input voltage through the VIN pin. If the input voltage is lower than the UVLO low threshold, the device turns off. If VIN rises higher than the UVLO high threshold, the controller turns on again (if both V5 and ENABLE are high). The hysteresis is approximately 1.05 V.

Table 2. Input Undervoltage Lockout (UVLO)

VIN UVLO SETTING	TURN-ON VOLTAGE (V)	TURN-OFF VOLTAGE (V)
MFR_SPEC_16[1:0] = 00	4.5	3.5
MFR_SPEC_16[1:0] = 01 (Default)	7.25	6.25
MFR_SPEC_16[1:0] = 10	9.0	8.0
MFR_SPEC_16[1:0] = 11	10.3	9.3

7.3.15 V5 Pin Undervoltage Lockout (UVLO)

The TPS53647 device also monitors V5 pin voltage. If the voltage is lower than V_{V5UVLOL} (4.05 V typical), the controller turns off. If V5 voltage comes back to be higher than V_{V5UVLOH} (4.25 V typical), the controller turns back on (if both VIN and ENABLE are high).

7.3.16 Output Undervoltage Protection (UVP)

The output undervoltage protection in the TPS53647 device is called tracking UVP. When the output voltage drops below (VDAC – V_{DROOP} – V_{RDYL}), the controller drives the PWM into a tri-state condition so that both high-side and low-side MOSFETs turn off. After a hiccup delay (22-ms typical), the device attempts to restart to VBOOT voltage. If the UVP condition continues, the UVP occurs again and the process repeats.

7.3.17 Overvoltage Protection (OVP)

The OVP condition is detected when the output voltage $V_{OUT} > V_{DAC} +$ tracking OVP offset (V_{OVPT5} for VR12.5 or V_{OVPT0} for VR12.0), which is called tracking OVP. In this case the controller drives the VR_RDY pin to inactive (low state) and drives all PWM signals to logic low which turns on the low-side MOSFET to discharge the output. However the OVP threshold is blanked during a V_{DAC} change. In order to continually protect the load, there is second OVP level (fixed OVP). The second OVP level is fixed at V_{OVPH5} (VR12.5) or V_{OVPH0} (VR12.0) is active during V_{DAC} change. If the fixed OVP condition is detected, the device drives the VR_RDY pin to inactive (logic low) and drives the PWM signals to logic low in order to turn on the low-side MOSFET. The controller remains in this state until the ENABLE or V5 is re-cycled.

When ENABLE is low, and output voltage is higher than V_{OVFPF} (2.75 V typical), the OVP condition is detected, which is called Pre-bias OVP. The device then drives the PWM signals to logic low. The device latches the pre-bias OVP. The latch can be cleared only by recycling V5.

7.3.18 Overcurrent Limit (OCL) and Overcurrent Protection (OCP)

The TPS53647 device includes a valley-current-based limit function by using a per-phase OCL comparator. A resistor connected between the OCL-R pin and the VREF pin generates the OCL comparison threshold.

Using the valley current limit, the OCL current level can be selected using [Equation 5](#). To set the per-phase OCL threshold, subtract half of the ripple current from the maximum average current and select the OCL threshold specified in the table equal or slight lower than I_{OCL} .

$$I_{OCL} = K \times \left(\frac{I_{MAX}}{n} \right) - \left(\frac{I_{RIPPLE}}{2} \right)$$

where

- K is the maximum operating margin percentage
 - n is the number of active phases
 - I_{RIPPLE} is the ripple current
- (5)

This instantaneous current sense voltage V_{CSPX} is compared to the OCL threshold. If the current sense voltage at OCL comparator goes above the OCL threshold, the device delays the next ON pulse until the current sense voltage drops below the OCL threshold. In this case, the output voltage continues to drop until the UVP threshold is reached.

Another overcurrent protection (OCP) is based on the current sensed through IMON pin of the device. When the digitized IMON is higher than OC_FAULT_LIMIT (1.25x I_{MAX} by default), the controller turns off both high-side and low-side MOSFETS and enters into hiccup mode until the overcurrent condition is removed.

7.3.19 Over Temperature Protection (OTP)

When the sensed temperature through TSEN pin is higher than the over temperature fault threshold OTP_{THLD} (125°C by default), the controller turns off high-side and low-side MOSFETS. The power stages cool down and TSEN voltage drops. When the sensed temperature is 15°C (OTP_{HYS}) lower than the over temperature fault threshold, the controller restarts to the VBOOT voltage.

7.3.20 $\overline{VR_HOT}$ and $\overline{VR_FAULT}$ Indication

When the sensed temperature is higher than the maximum temperature specification T_{MAX} , (110°C by default), the device pulls the $\overline{VR_HOT}$ pin low. This adjustment provides a warning signal to the load.

NOTE

Only the PMBus interface can establish the maximum temperature (T_{MAX}) setting. NVM does not store this setting.

$\overline{VR_FAULT}$ is used as an indication of severe fault. $\overline{VR_FAULT}$ will be pulled low when the below fault occurs:

- Input Overcurrent Fault
- Over Temperature Fault
- Overvoltage Fault
- Power Stage Fault ($V_{TSEN} > 2.5V$)

7.4 Device Functional Modes

Table 3. Maximum Operating Phase Numbers

CSP1	CSP2	CSP3	CSP4	MAXIMUM ACTIVE PHASES
IOUT1	V3R3	n/a	n/a	1
IOUT1	IOUT2	V3R3	n/a	2
IOUT1	IOUT2	IOUT3	V3R3	3
IOUT1	IOUT2	IOUT3	IOUT4	4

7.5 Programming

7.5.1 User Selections

When $\overline{\text{SKIP-NVM}}$ pin is connected to GND with $\leq 20\text{-k}\Omega$ resistor, the resistors connected to $\overline{\text{O-USR}}$, F-IMAX, SLEW-MODE, OCL-R, VBOOT and ADDR-TRISE determine the associated configurations. If $\overline{\text{SKIP-NVM}}$ pin is connected to GND with $\geq 100\text{-k}\Omega$ resistor, these configurations are determined by NVM settings. Please note the address setting is determined only by the resistors on the ADDR-TRISE pin and cannot be set by NVM. When the V3R3 pin powers up, the following information is latched for normal operations, and can be changed via the PMBus interface. The [Electrical Characteristics](#) table defines the values of the selections.

In general, the NVM provides more selection than pinstrap configurations. For example, pinstrap for switching frequency offers 3-bit, 8 selections, which correlates to MFR_SPEC_12<6:4>. Alternatively, NVM provides 4-bit, 16 selections.

7.5.1.1 Switching Frequency

The resistor from F-IMAX pin to GND sets the switching frequency from 300 kHz to 1 MHz. See the [Electrical Characteristics](#) table for the resistor settings corresponding to each frequency selection. Please note that the operating frequency is a quasi-fixed frequency in the sense that the ON time is fixed based on the input voltage (at the VIN pin) and output voltage (set by VID). The OFF time varies based on various factors such as load and power-stage components.

7.5.1.2 IMAX Information

The max current information of the load(IMAX) can be set by the voltage on the F-IMAX pin. See the [Electrical Characteristics](#) table for the details. The default OCP fault trigger level is 125% of IMAX.

7.5.1.3 Boot Voltage

The boot voltage is the controller voltage at start-up to before any output voltage change by the VOUT_COMMAND. If there is no further output voltage adjustment, the output voltage remains at the boot voltage level.

The resistor from the VBOOT pin to GND and the voltage level on this pin set 7 high bits of the boot voltage. The lowest bit is set by the ADDR-TRISE pin. See the [Electrical Characteristics](#) table for the resistor settings corresponding to boot voltage selections.

7.5.1.4 Per-Phase Overcurrent Limit (OCL) Level

The resistor from the OCL-R pin to GND and the voltage level on this pin set the per-phase OCL level. See the [Electrical Characteristics](#) table for the details.

7.5.1.5 Overshoot Reduction (OSR) and Undershoot Reduction (USR) Levels

The resistor from the O-USR pin to GND and the voltage on O-USR pin set the OSR and USR levels. See the [Electrical Characteristics](#) table for details.

Programming (continued)

7.5.1.6 Slew Rate Selection

The V_{OUT} change slew rate is set by the resistor from the SLEW-MODE pin to GND. See the [Electrical Characteristics](#) table for details.

7.5.1.7 Mode Selections

The TPS53647 device supports different operating modes, including VR12.0/VR12.5, phase interleaving mode, dynamic phase shedding, and zero load-line. The voltage on SLEW-MODE pin sets the desired operating modes.

7.5.1.8 Soft Start Slew Rate and PMBus Addresses

The resistor from the ADDR-TRISE pin to GND and the voltage on ADDR-TRISE pin set the slew rate of soft start and the address of PMBus interface. See the [Electrical Characteristics](#) table for details.

7.5.1.9 Ramp Selection

The internal ramp can be set by the voltage on the OCL-R pin. See the [Electrical Characteristics](#) table for details.

7.5.1.10 Maximum Active Phase Numbers

The maximum active phase numbers can be selected by connecting CSP2, CSP3 or CSP4 to the V3R3. See [Table 3](#) for details. The device latches this configuration when V3R3 powers up.

Programming (continued)

7.5.1.11 Pinstrap Mode Settings

summarizes the functions controlled with pin-strap resistors. For details of each setting please refer to the [Electrical Characteristics](#) table. For more information on VID encoding see the [VID](#) section.

Table 4. Pinstrap Mode Summary

FUNCTION	PIN		DESCRIPTION
	NAME	NO.	
Slew Rate	SLEW-MODE	29	Voltage divider to VREF pin. A pin-strap resistor ($R_{SLEW-MODE}$) connected between this pin and GND sets one of eight possible slew rates.
Mode	SLEW-MODE	29	The voltage level ($V_{SLEW-MODE}$) sets 4-bit operation modes. -Bit 7 for DAC mode (1 for VR12.0; 0 for VR12.5). -Bit 6 for the 4-phase interleaving mode (1 for 1/3 and 2/4 two phase interleaving; 0 for 4 phase interleaving individually). -Bit 4 for enabling dynamic phase add or drop (1 for enable; 0 for disable). -Bit 3 sets zero load-line (1 for zero load-line; 0 for non-zero load-line) The device latches these settings when V3R3 powers up.
Overshoot reduction	O-USR	30	Voltage divider to VREF pin. A pin-strap resistor (R_{O-USR}) connected between this pin and GND selects 1 of 7 OSR thresholds or OFF.
Undershoot reduction	O-USR	30	The voltage level (V_{O-USR}) sets 1 of 7 USR levels or OFF. The device latches these settings when V3R3 powers up.
Voltage boot	VBOOT	31	Voltage divider to VREF pin. A pin-strap resistor (R_{VBOOT}) connected between this pin and GND sets 3 bits (B[3:1]). The voltage level (V_{BOOT}) sets 4 bits (B[7:4]). The total 7 bit sets 7 of 8 bits of VID of VBOOT(B[7:1]). The device latches these settings when V3R3 powers up.
	ADDR-TRISE	28	Voltage divider to VREF pin. A pin-strap resistor ($R_{ADDR-TRISE}$) connected between this pin and GND sets 3-bits. -Bit 2 and Bit 1 set the rise slew rate (TRISE). -Bit 0 Selects the LSB of BOOT voltage. The voltage ($V_{ADDR-TRISE}$) sets 4 bits PMBus address. The device latches these settings when V3R3 powers up.
Rise slew rate	ADDR-TRISE	28	Voltage divider to VREF pin. A pin-strap resistor ($R_{ADDR-TRISE}$) connected between this pin and GND sets 3-bits. -Bit 2 and Bit 1 set the rise slew rate (TRISE). -Bit 0 Selects the LSB of BOOT voltage. -The voltage ($V_{ADDR-TRISE}$) sets 4 bits PMBus address. The device latches these settings when V3R3 powers up
Frequency	F-IMAX	32	Voltage divider to VREF pin. A pin-strap resistor (R_{F-IMAX}) connected between this pin and GND sets the operating frequency of the controller.
Current limit	F-IMAX	32	The voltage level (V_{F-IMAX}) sets the maximum operating current of the converter. The IMAX value is an 8-bit A/D where $V_{F-IMAX} = V_{VREF} \times IMAX / 255$. Both are latched at V3R3 power-up.
Overcurrent limit	OCL-R	1	Voltage divider to VREF pin. A pin-strap resistor (R_{OCL-R}) connected between this pin and GND and the voltage level (V_{OCL-R}) selects one of 16 OCL levels (per phase current-limit).
Ramp	OCL-R	1	V_{OCL-R} sets one of four RAMP levels. The device latches these settings when the V3R3 pin powers up.

7.5.1.12 NVM Default Settings

Table 5 lists the default settings in NVM where the shaded rows denote register functions that are configured by associated pins in pinstrap mode.

Table 5. NVM Default Settings

REGISTER	FUNCTION	DEFAULT VALUES								
		bit 7	bit 6	bit 5	bit 4	bit 3	bit 2	bit 1	bit 0	
MFR_SPECIFIC_13 [2:0]	Slew Rate	—					0	0	1	
MFR_SPECIFIC_13 [7:3]	Mode	1	0	0	0	1	—			
MFR_SPECIFIC_09 [2:0]	OSR	—					1	1	1	
MFR_SPECIFIC_09 [6:4]	USR	—	1	1	1	—				
MFR_SPECIFIC_11 [7:0]	VBOOT	1	0	0	1	0	1	1	1	
MFR_SPECIFIC_12 [1:0]	TRISE	—						0	0	
MFR_SPECIFIC_12[7:4]	Frequency	0	0	1	0	—				
MFR_SPECIFIC_10 [7:0]	IMAX	0	1	1	1	1	0	0	0	
MFR_SPECIFIC_00 [3:0]	OCL	—				1	0	0	0	
MFR_SPECIFIC_14[2:0]	RAMP	—					1	1	0	
MFR_SPECIFIC_07 [0]	Soft-start slew rate	—							0	
MFR_SPECIFIC_07 [1]	OSR_TRISTATE	—					0	—		
MFR_SPECIFIC_07 [2]	SLEW_FAST	—				0	—			
MFR_SPECIFIC_16 [1:0]	VIN UVLO	—					0	1		
MFR_SPECIFIC_15 [3]	DPS_TH_LOW	—			0	—				
MFR_SPECIFIC_15 [2:0]	DPS_TH_HIGH	—					0	0	1	
MFR_SPECIFIC_22 [2:0]	UV OFFSET	—					0	1	1	
MFR_SPECIFIC_05 [7:0]	VOUT OFFSET	0	0	0	0	0	0	0	0	
MFR_ID	—	0	1	0	1	0	1	0	0	
MFR_MODEL		0	1	0	0	0	1	1	1	
MFR_REVISION [3:0]		—					0	0	0	0
MFR_DATE		0	0	0	0	0	0	0	0	

7.5.1.13 4-Phase Application

Figure 19 shows the diagram for a 4-Phase application with smart power stage (CSD95372BQ5MC) and pinstrap configurations. Figure 20 shows the diagram for a 4-Phase application with smart power stage (CSD95372BQ5MC) and NVM configurations.

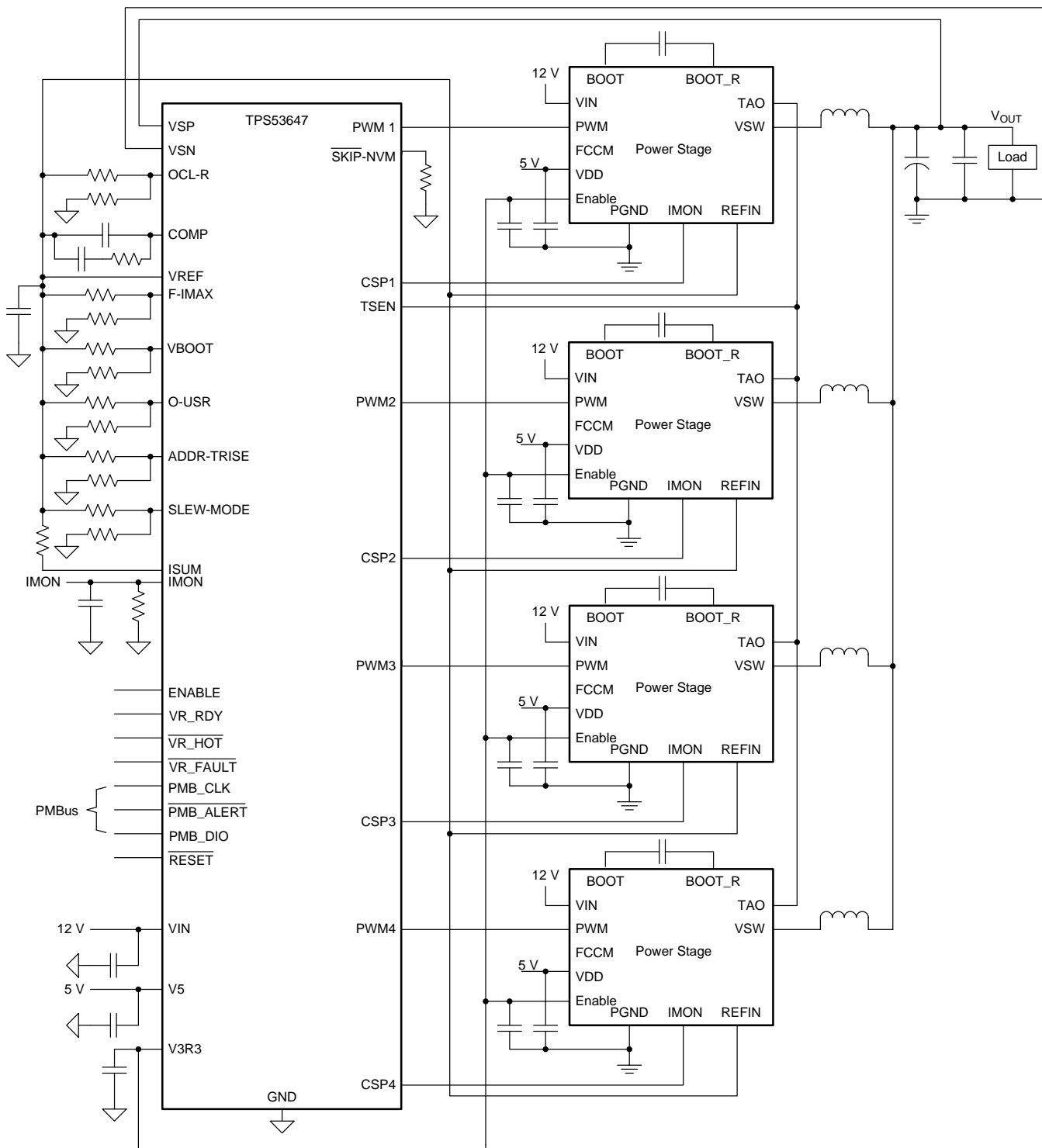


Figure 19. 4-Phase Application with Smart Power Stage (CSD95372BQ5MC)

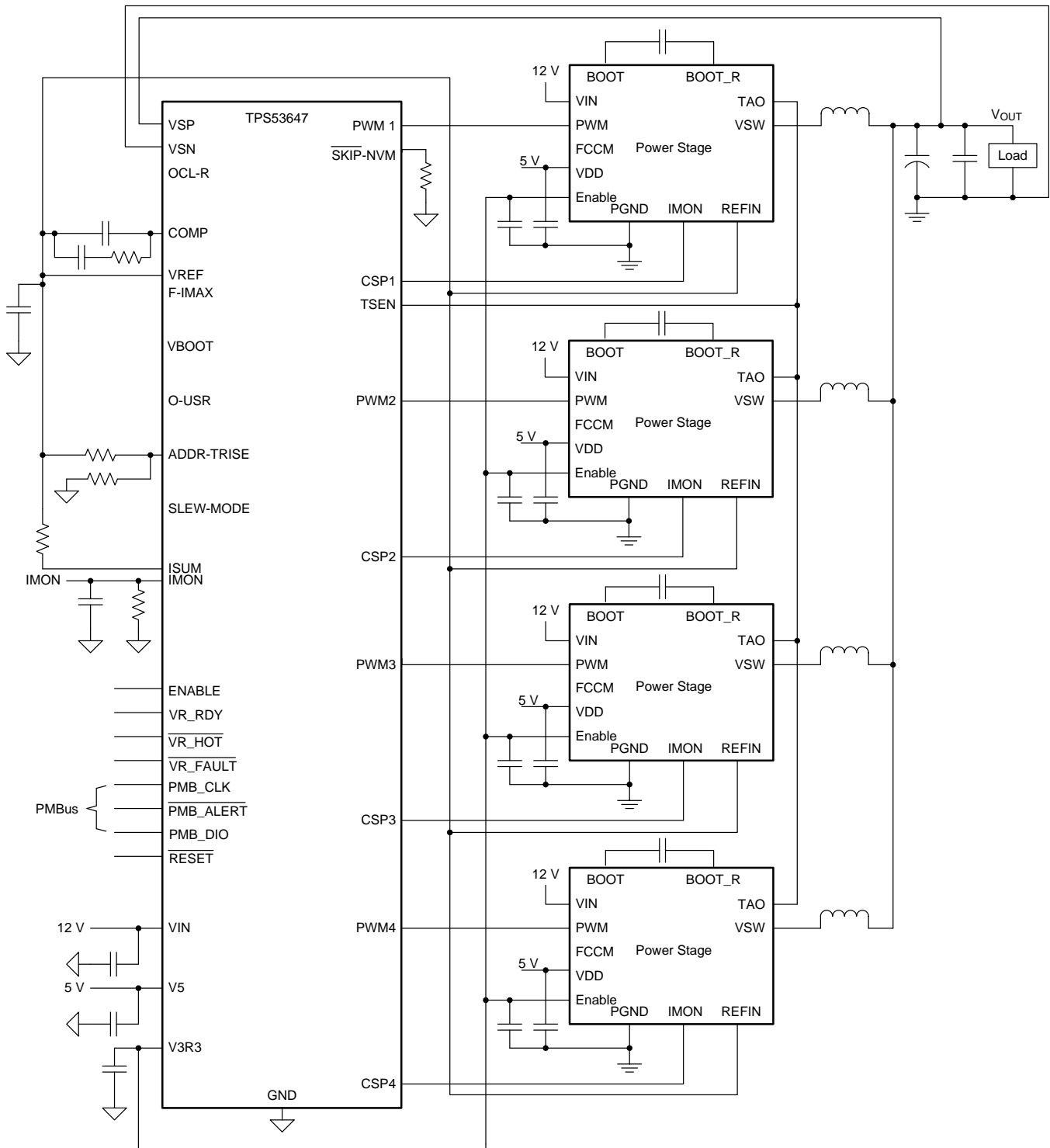


Figure 20. 4-Phase Application with Smart Power Stage (CSD95372BQ5MC) and NVM Configuration

7.5.2 Supported Protections and Fault Reports

The TPS53647 device supports different types of fault protections, and the warning or fault reports can be found in the corresponding PMBus registers. The TPS53647 also supports $\overline{\text{VR_FAULT}}$ to indicate catastrophic faults to the system. If the fault causes the controller to latch-off, then V5 or EN re-cycling is required to clear the latched faults. Only V5 recycling can clear PRE_OVF.

Table 6. Supported Protections and Fault Reports

FAULT NAME	DESCRIPTIONS	LATCH-OFF	ALERT	REPORT
VOLTAGE				
PRE_OVF	$V_{OUT} > V_{OVPPF}$	Y	$\overline{VR_FAULT}$ $\overline{PMB_ALERT}$	PMBus
OVF	$V_{OUT} > VID + V_{OVPT5/0}$ OR $V_{OUT} > V_{OVPF5}$	Y	$\overline{VR_FAULT}$ $\overline{PMB_ALERT}$	PMBus
UVF	$V_{OUT} < VID - V_{RDYL} - V_{DROOP}$	N	$\overline{PMB_ALERT}$	PMBus
VIN_OVF	$V_{VIN} > VIN_OV_FAULT_LIMIT$ when the controller is enabled	N	$\overline{PMB_ALERT}$	PMBus
VIN_UVF	$V_{VIN} < V_{INUVLO}$ when the controller is enabled	N	$\overline{PMB_ALERT}$	PMBus
CURRENT				
OCF	$I_{OUT} \geq I_{OUT_OC_FAULT_LIMIT}$	N	$\overline{PMB_ALERT}$	PMBus
OCW	$I_O \geq I_{OUT_OC_WARN_LIMIT}$	N	$\overline{PMB_ALERT}$	PMBus
IOCF	$I_{IN} \geq I_{IN_OC_FAULT_LIMIT}$	Y	$\overline{VR_FAULT}$ $\overline{PMB_ALERT}$	PMBus
IOCW	$I_{IN} \geq I_{IN_OC_WARN_LIMIT}$	N	$\overline{PMB_ALERT}$	PMBus
TEMPERATURE				
OTF	$T_{sen} \geq OT_FAULT_LIMIT$	N	$\overline{VR_FAULT}$ $\overline{PMB_ALERT}$	PMBus
OTW	$T_{sen} \geq OT_WARNING_LIMIT$	N	$\overline{PMB_ALERT}$	PMBus
TMAX_F	$T_{sen} \geq T_{MAX}$	N	$\overline{VR_HOT}$	
TS_VREFF	TSEN pin short to VREF	Y	$\overline{PMB_ALERT}$	PMBus
TS_GND	TSEN pin short to GND	Y	$\overline{PMB_ALERT}$	PMBus
TS_PS	$V_{TSEN} > 2.5\text{ V}$	Y	$\overline{VR_FAULT}$ $\overline{PMB_ALERT}$	PMBus

7.5.3 Supported PMBus Address and Commands Summary

7.5.3.1 Address Selection

The TPS53647 device has a dedicated pin (ADDR-TRISE) for determining the address for the PMBus communication. The device supports a total of 16 possible addresses. See the [Electrical Characteristics](#) table for details.

7.5.3.2 Commands Summary

The TPS53647 device supports only PMBus command sets listed in [Table 7](#). In pinstrap mode, the default state of all the configuration registers (shaded rows in [Table 5](#)) should be detected from pinstrap settings, but users can overwrite the settings via PMBus after the power-up sequence is complete. In NVM mode, the default values can be found in the register descriptions.

Table 7. Supported PMBus Commands

CODE	COMMAND NAME	TYPE	DESCRIPTION: PMBus Command	FACTORY DEFAULT VALUE
01h	OPERATION	R/W Byte	Turn the unit on and off in conjunction with the input from the ENABLE pin. Set the output voltage to the upper or lower MARGIN voltages.	00h
02h	ON_OFF_CONFIG	R/W Byte	Configures the combination of CONTROL pin input and serial bus commands needed to turn the unit on and off. This includes how the unit responds when power is applied.	17h
03h	CLEAR_FAULTS	Send Byte	Clears any faults bits that have been set if the fault is no longer present. At the same time, simultaneously clears all bits in all status registers and negates the PMB_ALERT signal output if it is asserted.	NONE
10h	WRITE_PROTECT	R/W Byte	Used to control writing to the PMBus device. Can be used to prevent unwanted writes to the device.	00h
11h	STORE_DEFAULT_ALL	Send Byte	Store the settings to the NVM.	NONE
12h	RESTORE_DEFAULT_ALL	Send Byte	Restore the settings from the NVM.	NONE
19h	CAPABILITY	Read Byte	Provides a way for the host to determine the capabilities of the PMBus device.	B0h
20h	VOUT_MODE	Read Byte	Read-Only VOUT Mode Indicator.	21h
21h	VOUT_COMMAND	R/W Word	Causes the device to set its output voltage to the commanded value.	VBOOT
24h	VOUT_MAX	R/W Word	Sets the upper limit on the output voltage the unit can command regardless of any other commands or combinations. Provides a safeguard against a user accidentally setting the output voltage to a possibly destructive level.	00FFh
25h	VOUT_MARGIN_HIGH	R/W Word	Loads the unit with the voltage to which the output is to be changed when the OPERATION command is set to "Margin High."	0000h
26h	VOUT_MARGIN_LOW	R/W Word	Loads the unit with the voltage to which the output is to be changed when the OPERATION command is set to "Margin Low."	0000h
39h	IOUT_CAL_OFFSET	R/W Word	compensate for offset errors in READ_VOUT command.	0000h
41h	VOUT_OV_FAULT_RESPONSE	Read Byte	Instructs the device on what action to take in response to an output overvoltage fault.	80h
45h	VOUT_UV_FAULT_RESPONSE	Read Byte	Instructs the device on what action to take in response to an output undervoltage fault.	BAh
46h	IOUT_OC_FAULT_LIMIT	R/W Word	Sets the value of the output current, in amperes, that causes the overcurrent detector to indicate an overcurrent fault condition.	125% IMAX
47h	IOUT_OC_FAULT_RESPONSE	Read Byte	Instructs the device on what action to take in response to an output overcurrent fault.	FAh
4Ah	IOUT_OC_WARN_LIMIT	R/W Word	Sets the value of the output current that causes an output overcurrent warning condition.	IMAX
4Fh	OT_FAULT_LIMIT	R/W Word	Sets the temperature, in degree Celsius, that causes an over-temperature fault condition.	007Dh
50h	OT_FAULT_RESPONSE	Read Byte	Instructs the device on what action to take in response to an output over-temperature fault.	F8h
51h	OT_WARN_LIMIT	R/W Word	Sets the temperature, in degrees Celsius, that causes an over-temperature warning condition.	005Fh
55h	VIN_OV_FAULT_LIMIT	R/W Word	Sets the input voltage, in volts, that causes an overvoltage fault condition.	000Fh
5Bh	IIN_OC_FAULT_LIMIT	R/W Word	Sets the input current, in amperes, that causes an overcurrent fault condition.	00FFh

Table 7. Supported PMBus Commands (continued)

CODE	COMMAND NAME	TYPE	DESCRIPTION: PMBus Command	FACTORY DEFAULT VALUE
5Ch	IIN_OC_FAULT_RESPONSE	Read Byte	Instructs the device on what action to take in response to an input overcurrent fault.	C0h
5Dh	IIN_OC_WARN_LIMIT	R/W Word	Sets the input current, in amperes, that causes an overcurrent warning condition.	0019h
78h	STATUS_BYTE	Read Byte	Single byte status indicator	Dependent on the Startup Condition
79h	STATUS_WORD	Read Word	Full 2-byte status indicator	Dependent on the Startup Condition
7Ah	STATUS_VOUT	Read Byte	Output voltage fault status detail	Dependent on the Startup Condition
7Bh	STATUS_IOUT	Read Byte	Output current fault status detail	Dependent on the Startup Condition
7Ch	STATUS_INPUT	Read Byte	Input voltage and current fault status detail	Dependent on the Startup Condition
7Dh	STATUS_TEMPERATURE	Read Byte	Temperature fault status detail	Dependent on the Startup Condition
7Eh	STATUS_CML	Read Byte	Communication, memory, and logic fault status detail	Dependent on the Startup Condition
80h	STATUS_MFR_SPECIFIC	Read Byte	Manufacturer specific fault status detail	Dependent on the Startup Condition
88h	READ_VIN	Read Word	Read input voltage, in volts.	
89h	READ_IIN	Read Word	Read input current, in amperes.	
8Bh	READ_VOUT	Read Word	Read output voltage, in volts.	
8Ch	READ_IOUT	Read Word	Read output current, in amperes.	
8Dh	READ_TEMPERATURE_1	Read Word	Read temperature, in degrees Celsius.	
96h	READ_POUT	Read Word	Read output power, in watts.	
97h	READ_PIN	Read Word	Read input power, in watts.	
98h	PMBUS_REVISION	Read Byte	PMBus Revision Information	11h
99h	MFR_ID	Read Block	Loads the unit with the text character that contains the manufacturer's ID.	5401h
9Ah	MFR_MODEL	Read Block	Loads the unit with the text character that contains the model number of the manufacturer.	4701h
9Bh	MFR_REVISION	Read Block	Loads the unit with the text character that contains the revision number of the manufacturer.	
9Dh	MFR_DATE	Read Block	Loads the unit with the text character that contains the device's date of manufacture.	
A4h	MFR_VOUT_MIN	R/W Word	Sets a low limit on the output voltage that the device can command regardless of any other commands or combinations. (VID data format)	0000h
D0h	MFR_SPECIFIC_00	R/W Byte	Selects the threshold for the per-phase current limit. (Fixed at PMBus control)	Pin strap: OCL-R pin NVM: 08h
D1h	MFR_SPECIFIC_01	R/W Byte	Selects the averaging time for telemetry reporting.	50h
D4h	MFR_SPECIFIC_04	Read Word	Returns the actual, measured output voltage in volts.	
D5h	MFR_SPECIFIC_05	R/W Byte	Used to trim the output voltage.	NVM: 00h
D7h	MFR_SPECIFIC_07	R/W Byte	Additional functional bits setting.	NVM: 02h
D8h	MFR_SPECIFIC_08	R/W Byte	Sets the droop as a percentage of the loadline.	04h
D9h	MFR_SPECIFIC_09	R/W Byte	Sets the threshold for OSR and USR control.	Pin strap: O-USR pin NVM: 77h

Table 7. Supported PMBus Commands (continued)

CODE	COMMAND NAME	TYPE	DESCRIPTION: PMBus Command	FACTORY DEFAULT VALUE
DAh	MFR_SPECIFIC_10	R/W Byte	Sets the maximum operating current, I _{MAX} .	Pin strap: F-IMAX pin NVM: 78h
DBh	MFR_SPECIFIC_11	R/W Byte	Sets the boot voltage, V _{BOOT} .	Pin strap: VBOOT pin NVM: 97h
DCh	MFR_SPECIFIC_12	R/W Byte	Sets the switching frequency and the rise time (t _{RISE}) settings.	Pin strap: F-IMAX and ADDR-TRISE pins NVM: 20h
DDh	MFR_SPECIFIC_13	R/W Byte	Sets the slew rate and other operation modes.	Pin strap: SLEW-MODE pin NVM: 89h
DEh	MFR_SPECIFIC_14	R/W Byte	Sets the ramp amplitude in mV.	Pin strap: OCL-R pin NVM: 06h
DFh	MFR_SPECIFIC_15	R/W Byte	Sets the threshold for dynamic phase shedding as a percentage of the OCL.	NVM: 01h
E0h	MFR_SPECIFIC_16	R/W Byte	Sets the threshold for the input voltage UVLO.	NVM: 01h
E4h	MFR_SPECIFIC_20	R/W Byte	Sets the maximum number of operational phase numbers on the fly.	Hardware Specific
FCh	MFR_SPECIFIC_44	Read Word	Returns DEVICE_CODE information	01F0h

7.6 Register Maps

7.6.1 PMBus Description

7.6.1.1 PMBus General

Timing and electrical characteristics of the PMBus can be found in the *PMB Power Management Protocol Specification, Part 1, revision 1.1* available at <http://PMBus.org>. The TPS53647 device supports both the 100-kHz and 400-kHz bus timing requirements. The TPS53647 device does not stretch pulses on the PMBus when communicating with the master device.

Communication over the TPS53647 device PMBus interface can support the packet error checking (PEC) scheme if desired. If the master supplies CLK pulses for the PEC byte, PEC is used. If the CLK pulses are not present before a STOP, the PEC is not used.

The TPS53647 device supports a subset of the commands in the PMBus 1.1 specification. Most of the controller parameters can be programmed using the PMBus and stored as defaults for later use. All commands that require data input or output use the literal format. The exponent of the data words is fixed at a reasonable value for the command and altering the exponent is not supported. Direct format data input or output is not supported by the TPS53647 device. See the [Supported PMBus Commands](#) section for specific details.

The TPS53647 device also supports the SMBALERT response protocol. The SMBALERT response protocol is a mechanism by which a slave (the TPS53647 device) can alert the bus master that it wants to talk. The master processes this event and simultaneously accesses all slaves on the bus (that support the protocol) through the alert response address. Only the slave that caused the alert acknowledges this request. The host performs a modified receive byte operation to get the slave's address. At this point, the master can use the PMBus status commands to query the slave that caused the alert. For more information on the SMBus alert response protocol, see the System Management Bus (SMBus) [specification](#).

The TPS53647 device contains non-volatile memory that is used to store configuration settings and scale factors. The settings programmed into the device are not automatically saved into this non-volatile memory though. The STORE_DEFAULT_ALL command must be used to commit the current settings to non-volatile memory as device defaults. The settings that are capable of being stored in non-volatile memory are noted in their detailed descriptions.

7.6.1.2 PMBus Connections

The TPS53647 device can operate in either standard mode (100kbit/s) or fast mode (400kbit/s). Connection for the PMBus interface should follow the High Power DC specifications given in [Section 3.1.3 of the System Management Bus \(SMBus\) Specification V2.0](#) for the 400-kHz bus speed or the Low Power DC specifications in [Section 3.1.2](#). The complete SMBus specification is available from the SMBus website, smbus.org.

7.6.1.3 Supported Data Formats

The TPS53647 device supports both linear and VID data formats. The linear data format is used for all telemetry reporting data, and VID formatting for certain other commands. (see the [Supported PMBus Commands](#) section for more details on which command supports each data type). Examples of commands that support VID formatting include VOUT_MODE (Read-only Byte) and VOUT_COMMAND (Read/Write Word). An example of each can be seen below in [Figure 21](#) and [Figure 22](#).

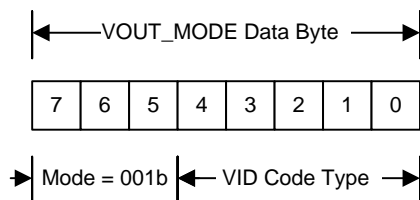


Figure 21. VOUT_MODE Data Byte for VID Mode

Register Maps (continued)

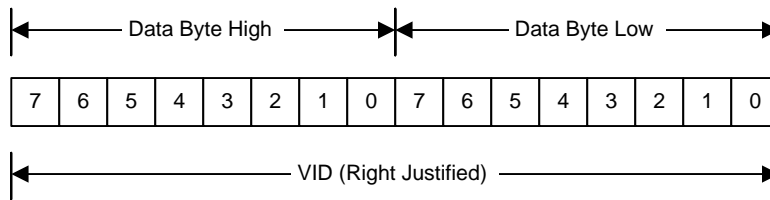


Figure 22. VOUT_COMMAND Data Bytes for VID Mode

The Linear Data Format is a two byte value with:

- An 11-bit, two's complement mantissa, and
- A 5-bit, two's complement exponent (scaling factor).

The format of the two bytes is shown in Figure 23.

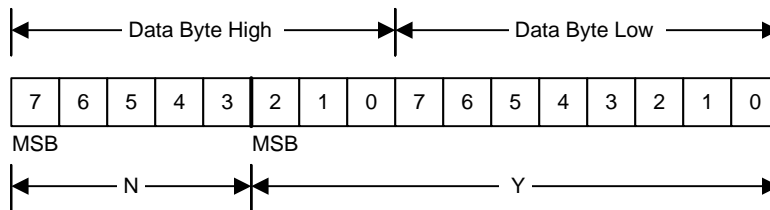


Figure 23. Linear Data Format Data Bytes

The relation between Y, N, and the *real world* value is as shown in Equation 6.

$$X = Y \times 2^N$$

where

- X is the *real world* value
- Y is an 11-bit, two's complement integer
- N is a 5-bit, two's complement integer

(6)

Note that devices that use the Linear format must accept and be able to process any value of N.

7.6.1.4 PMBus Command Format

The TPS53647 device is a PMBus-compliant device. Figure 24 through Figure 35 show the major communication protocols used. For full details on the PMBus communication protocols, please visit <http://pmbus.org>.

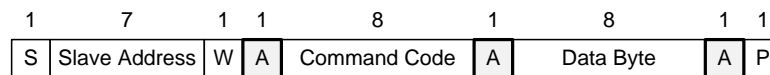


Figure 24. Write Byte Protocol

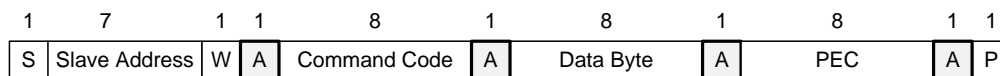


Figure 25. Write Byte Protocol with PEC

Register Maps (continued)

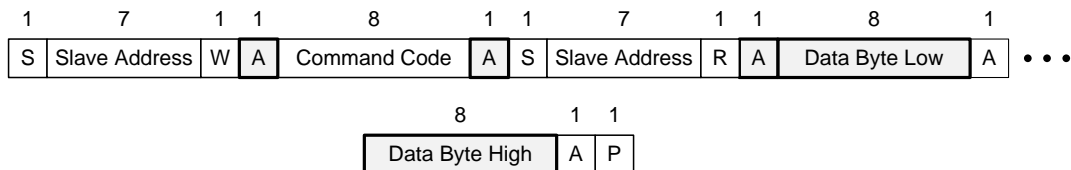


Figure 26. Write Word Protocol

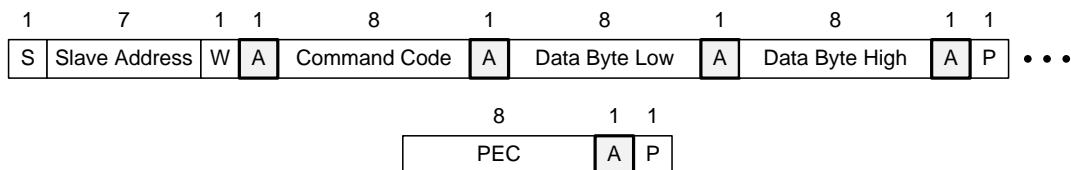


Figure 27. Write Word Protocol with PEC

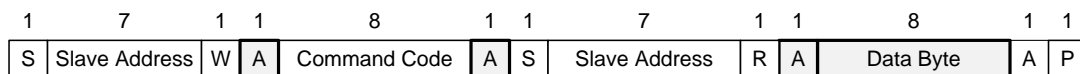


Figure 28. Read Byte Protocol

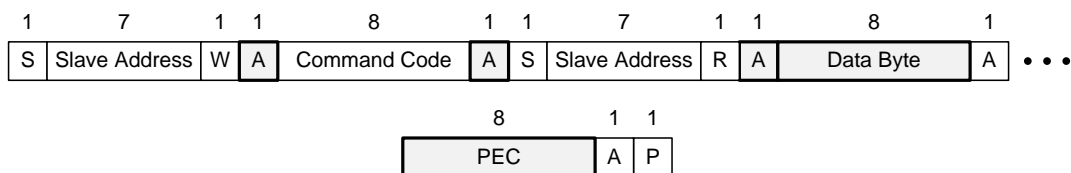


Figure 29. Read Byte Protocol with PEC

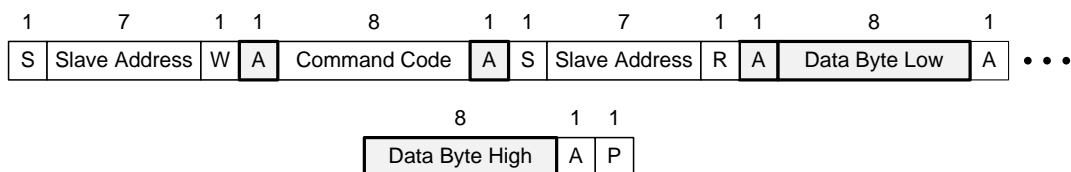


Figure 30. Read Word Protocol

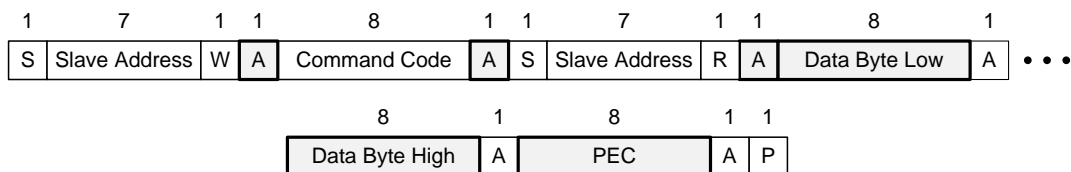
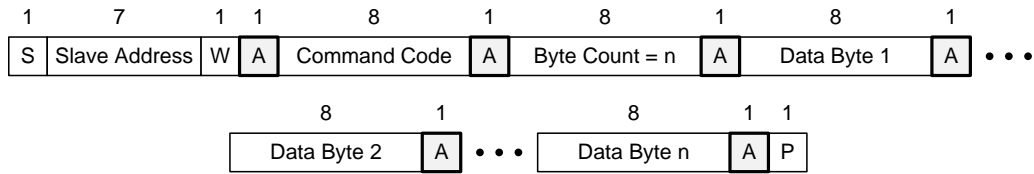
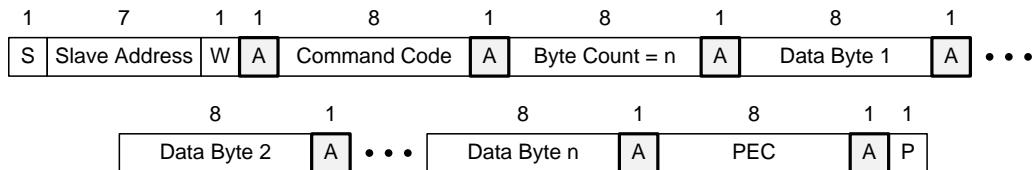
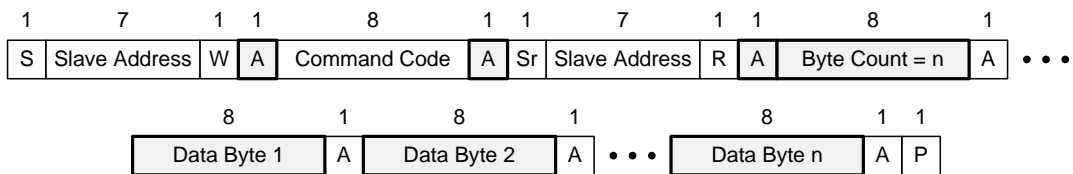
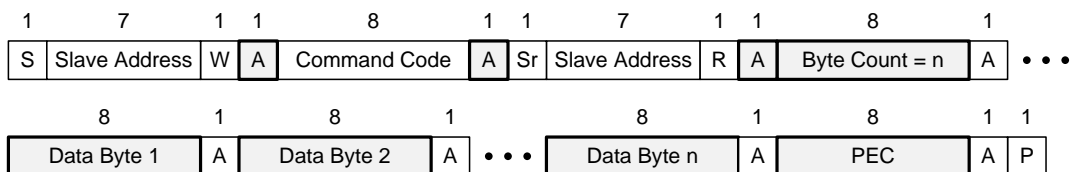


Figure 31. Read Word Protocol with PEC

Register Maps (continued)

Figure 32. Block Write Protocol

Figure 33. Block Write Protocol with PEC

Figure 34. Block Read Protocol

Figure 35. Block Read Protocol with PEC

Register Maps (continued)

7.6.2 PMBus Functionality

7.6.2.1 PMBus Address

The TPS53647 device has a dedicated pin (ADDR-TRISE) for determining the address for the PMBus communication. The device supports a total of 16 possible addresses as listed in the [Electrical Characteristics](#) table.

7.6.2.2 Pin Strap Settings

The TPS53647 device supports only PMBus command sets listed in the [Electrical Characteristics](#) table. In pinstrap mode, the default state of all the configuration registers should be detected from pin strap settings, but users can overwrite the settings via PMBus after the power-up sequence is complete. The pin strap settings can be found in the [Electrical Characteristics](#) table.

7.6.2.3 Supported PMBus Commands

The TPS53647 device supports the following commands from the PMBus 1.1 specification.

7.6.2.3.1 OPERATION (01h)

Format	N/A
Description	The OPERATION command is used to turn the device output on or off in conjunction with the input from the ENABLE pin. It is also used to set the output voltage to the upper or lower MARGIN levels.
Default	00h

Figure 36. OPERATION Register

7	6	5	4	3	2	1	0
ON_OFF	SOFT_OFF	OPMARGIN				IIN_OC_VRHOT	
R/W	R-0	R/W				R/W	

Table 8. OPERATION Register Field Descriptions

Bit	Field	Type	Reset	NVM	Description
7	ON_OFF	R/W	0	—	The On/Off bit is used to enable the IC via PMBus. The necessary condition for this bit to be effective is that the CMD bit in the ON_OFF CONFIG register is set high. However, the CMD bit being high is not a sufficient condition to enable the IC via the On bit, as specified below: 0: (Default) The device output is not enabled via PMBus. 1: The device output is enabled if: a. The supply voltage VIN is greater than the VIN_UVLO threshold, the cmd bit is high, and b. The bit CP in the ON_OFF CONFIG register is low, or c. The bit CP is high and the ENABLE pin is asserted.
6	SOFT_OFF	R	0	—	This bit is not supported and always set to 0 on this device. 0: No Soft off 1: Not Supported.
5-2	OPMARGIN	R/W	0	—	If Margin Low is enabled, load the value from the VOUT_MARGIN_LOW register. If Margin High is enabled, load the value from the VOUT_MARGIN_HIGH register. 00xx: Turn off VOUT margin function 0101: Turn on VOUT margin low and ignore fault 0110: Turn on VOUT margin low and act on fault 1001: Turn on VOUT margin high and ignore fault 1010: Turn on VOUT margin high and act on fault

Table 8. OPERATION Register Field Descriptions (continued)

Bit	Field	Type	Reset	NVM	Description
1-0	IIN_OC_VRHOT	R/W	00	—	This bit sets the option of asserting $\overline{\text{VRHOT}}$ when IIN_OC_WARN_LIMIT is detected. 01: $\overline{\text{VRHOT}}$ assertion ON with IIN_OC_WARN_LIMIT detection others: $\overline{\text{VRHOT}}$ assertion OFF with IIN_OC_WARN_LIMIT detection

7.6.2.3.2 ON_OFF_CONFIG (02h)
Format N/A

Description The ON_OFF_CONFIG command configures the combination of CONTROL pin input and serial bus commands needed to turn the unit on and off. This includes how the unit responds when power is applied.

Default 17h

Figure 37. ON_OFF_CONFIG Register

7	6	5	4	3	2	1	0
Reserved			PU	CMD	CP	PL	SP
R-000			R-1	R/W	R/W	R-1	R-1

Table 9. ON_OFF_CONFIG Register Field Descriptions

Bit	Field	Type	Reset	NVM	Description
7-5	Reserved	R	000	—	Always set to 0.
4	PU	R	1	—	This bit is not supported and always set to 1 on this device. 0: Not supported. 1: Device will act on ENABLE pin assertion and/or ON_OFF bit (OPERATION<7>).
3	CMD	R/W	0	—	The CMD bit controls how the device responds to the OPERATION<7> bit. 0: (Default) Device ignores the ON_OFF OPERATION<7> bit. 1: Device responds to the ON_OFF OPERATION<7> bit.
2	CP	R/W	1	—	The CP bit controls how the device responds to the ENABLE pin 0: Device ignores the ENABLE pin, and ON/OFF is controlled only by the OPERATION command 1: Device responds to the ENABLE pin.
1	PL	R	1	—	This bit is not supported and always set to 1 on this device. 0: Not supported. 1: ENABLE pin has active high polarity.
0	SP	R	1	—	This bit is not supported and always set to 1 on this device. 0: Not supported. 1: Turn off output as fast as possible.

7.6.2.3.3 CLEAR_FAULTS (03h)
Format N/A

Description Clears any faults bits that have been set. At the same time, simultaneously clears all bits in all status registers and negates the PMB_ALERT signal output if it is asserted.

The CLEAR_FAULTS command does not cause a unit that has latched off for a condition to restart. If the fault remains present when the bit is cleared, the fault bit is reset and the host notified by the usual means.

Default NONE

Figure 38. CLEAR_FAULTS Register

7	6	5	4	3	2	1	0
N/A	N/A	N/A	N/A	N/A	N/A	N/A	N/A
—	—	—	—	—	—	—	—

Table 10. CLEAR_FAULTS Register Field Descriptions

Bit	Field	Type	Reset	NVM	Description
7-0	N/A	—	—	—	No data bytes are sent, only the command code is sent.

7.6.2.3.4 WRITE_PROTECT (10h)
Format N/A

Description The WRITE_PROTECT command is used to control writing to the PMBus device. The intent of this command is to provide protection against accidental changes. This command has one data byte as described below.

NOTE: Invalid data written to WRITE_PROTECT[7:5] causes the 'CML' bit in the STATUS_BYTE and the 'US_DATA' bit in the STATUS_CML registers to be set. Invalid data also results in no write protection.

Default 00h

Figure 39. WRITE_PROTECT Register

7	6	5	4	3	2	1	0
bit7	bit6	bit5	Reserved				
R/W	R/W	R/W	R-0 0000				

Table 11. WRITE_PROTECT Register Field Descriptions

Bit	Field	Type	Reset	NVM	Description
7	bit7	R/W	0	—	0: (Default) See Table 12. 1: Disable all writes except for the WRITE_PROTECT command (bit5 and bit6 must be 0 to be valid).
6	bit6	R/W	0	—	0: (Default) See Table 12. 1: Disable all writes except for the WRITE_PROTECT and OPERATION commands (bit5 and bit7 must be 0 to be valid).
5	bit5	R/W	0	—	0: (Default) See Table 12. 1: Disable all writes except for the WRITE_PROTECT, OPERATION, and ON_OFF_CONFIG commands (bit6 and bit7 must be 0 to be valid).
4:0	Reserved	R	0 0000	—	Always set to 0.

Table 12. WRITE_PROTECT Data Byte Values

Data Byte Value	Action
1000 0000	Disables all writes except to the WRITE_PROTECT command.
0100 0000	Disables all writes except to the WRITE_PROTECT and OPERATION commands.
0010 0000	Disables all writes to the WRITE_PROTECT, OPERATION, ON_OFF_CONFIG and VOUT_COMMAND commands.
0000 0000	Enable writes to all commands
Others	Invalid data.

7.6.2.3.5 STORE_DEFAULT_ALL (11h)

Format N/A

Description The STORE_DEFAULT_ALL command instructs the PMBus device to copy the entire contents of the Operating Memory to the matching locations in the non-volatile Default Store memory. Any items in the Operating Memory that do not have matching locations in the Default Store are ignored.

Following a STORE_DEFAULT_ALL command, the following registers return to the default values regardless of the values in the Operating Memory:

- OC_FAULT_LIMIT returns to 125% \times IMAX,
- OC_WARN_LIMIT returns to IMAX,
- VOUT_COMMAND returns to VBOOT,
- VOUT_MAX returns to 00FFh (1.52V in VR12.0 mode and 3.04 V in VR12.5 mode)

Default NONE

Figure 40. STORE_DEFAULT_ALL Register

7	6	5	4	3	2	1	0
N/A	N/A	N/A	N/A	N/A	N/A	N/A	N/A
—	—	—	—	—	—	—	—

Table 13. STORE_DEFAULT_ALL Register Field Descriptions

Bit	Field	Type	Reset	NVM	Description
7:0	N/A	—	—	—	No data bytes are sent, only the command code is sent.

7.6.2.3.6 RESTORE_DEFAULT_ALL (12h)

Format N/A

Description The RESTORE_DEFAULT_ALL command instructs the PMBus device to copy the entire contents of the non-volatile Default Store memory to the matching locations in the Operating Memory. The values in the Operating Memory are overwritten by the value retrieved from the Default Store. Any items in Default Store that do not have matching locations in the Operating Memory are ignored.

Default NONE

Figure 41. RESTORE_DEFAULT_ALL Register

7	6	5	4	3	2	1	0
N/A	N/A	N/A	N/A	N/A	N/A	N/A	N/A
—	—	—	—	—	—	—	—

Table 14. RESTORE_DEFAULT_ALL Register Field Descriptions

Bit	Field	Type	Reset	Description
7:0	N/A	—	—	No data bytes are sent, only the command code is sent.

7.6.2.3.7 CAPABILITY (19h)

Format	N/A
Description	This command provides a way for a host system to determine some key capabilities of this PMBus device.
Default	B0h

Figure 42. CAPABILITY Register

7	6	5	4	3	2	1	0
PEC	SPD		PMBALERT	Reserved			
R-1	R-01		R-1	R-0000			

Table 15. CAPABILITY Register Field Descriptions

Bit	Field	Type	Reset	NVM	Description
7	PEC	R	1	—	Packet Error Checking is supported. 1: Default
6:5	SPD	R	01	—	Maximum supported bus speed is 400 kHz. 01: Default
4	PMBALERT	R	1	—	This device does have a PMBALERT pin and does support the SMBus Alert Response Protocol. 1: Default
3:0	Reserved	R	0000	—	Always set to 0.

7.6.2.3.8 VOUT_MODE (20h)

Format	VID
Description	The PMBus specification dictates that the data word for the VOUT_MODE command is one byte that consists of a 3-bit Mode and 5-bit parameter, as shown below. This command is read-only. If the host sends a VOUT_MODE command for writing, the device will reject the command and declare a communication fault for invalid data and respond as described in <i>PMBus specification II</i> section 10.2.2.
Default	21h

Figure 43. VOUT_MODE Register

7	6	5	4	3	2	1	0
DATA_MODE			DATA_PARAMETER				
R-001			R				

Table 16. VOUT_MODE Register Field Descriptions

Bit	Field	Type	Reset	NVM	Description
7:5	DATA_MODE	R	001	—	001: VID mode.
4:0	DATA_PARAMETER	R	0 0001	—	00010: For VR12.5 Mode 00001: For VR12.0 Mode

7.6.2.3.9 VOUT_COMMAND (21h)

Format VID

Description VOUT_COMMAND causes the device to set its output voltage to the commanded value with two data bytes. These data bytes consist of a right-justified VID code with VID0 in bit 0 of the lower data byte, VID1 in bit 1 of the lower byte and so forth. The VID table mapping is determined by the selected VID protocols (VR12.0 or VR12.5) from SLEW_MODE pin or MFR_SPECIFIC_13.

Default VBOOT

Figure 44. VOUT_COMMAND Register

15	14	13	12	11	10	9	8
Reserved							
R-0000 0000							
7	6	5	4	3	2	1	0
VOUT							
R/W							

Table 17. VOUT_COMMAND Register Field Descriptions

Bit	Field	Type	Reset	NVM	Description
15:8	Reserved	R	0000 0000	—	Always set to 0.
7:0	VOUT	R/W		—	Used to set the commanded VOUT. Cannot be set to a level above the value set by VOUT_MAX.

7.6.2.3.10 VOUT_MAX (24h)

Format VID

Description The VOUT_MAX command sets an upper limit on the output voltage that the unit can command regardless of any other commands or combinations. The intent of this command is to provide a safeguard against a user accidentally setting the output voltage to a possibly destructive level. The device detects that an attempt has been made to program the output to a voltage greater than the value set by the VOUT_MAX command. This will then be treated as a warning condition and not a fault condition. If an attempt is made to program the output voltage higher than the limit set by this command, the device responds as follows:

- The commanded output voltage is set to VOUT_MAX,
- The OTHER bit is set in the STATUS_BYTE,
- The VOUT bit is set in the STATUS_WORD,
- The VOUT_MAX warning bit is set in the STATUS_VOUT register, and
- The device notifies the host (asserts PMBUS_ALERT).

The data bytes are two bytes, which are in right-justified VID format. The VID table mapping determined by the selected VID protocols (VR12.0 or VR12.5) from the SLEW_MODE pin or MFR_SPECIFIC_13.

Default 00FFh .

Figure 45. VOUT_MAX Register

15	14	13	12	11	10	9	8
Reserved							
R-0000 0000							
7	6	5	4	3	2	1	0
VOUT_MAX							

R/W

Table 18. VOUT_MAX Register Field Descriptions

Bit	Field	Type	Reset	NVM	Description
15:8	Reserved	R	0000 0000	—	Always set to 0.
7:0	VOUT_MAX	R/W	1111 1111	—	Used to set the maximum VOUT of the device.

7.6.2.3.11 VOUT_MARGIN_HIGH (25h)
Format VID

Description The VOUT_MARGIN_HIGH command loads the unit with the voltage to which the output is to be changed when the OPERATION command is set to *Margin High*. The data bytes are two bytes, which are in right-justified VID format. The VID table mapping determined by the selected VID protocols from the SLEW_MODE pin or MFR_SPECIFIC_13.

Default 0000h

Figure 46. VOUT_MARGIN_HIGH Register

15	14	13	12	11	10	9	8
Reserved							
R-0000 0000							
7	6	5	4	3	2	1	0
VOUT_MARGIN_HIGH							
R/W							

Table 19. VOUT_MARGIN_HIGH Register Field Descriptions

Bit	Field	Type	Reset	NVM	Description
15:8	Reserved	R	0000 0000	—	Always set to 0.
7:0	VOUT_MARGIN_HIGH	R/W	0000 0000	—	Used to set the value for the VOUT Margin High.

7.6.2.3.12 VOUT_MARGIN_LOW (26h)
Format VID

Description The VOUT_MARGIN_LOW command loads the unit with the voltage to which the output is to be changed when the OPERATION command is set to *Margin Low*. The data bytes are two bytes, which are in right-justified VID format. The VID table mapping determined by the selected VID protocols from the SLEW_MODE pin or MFR_SPECIFIC_13.

Default 0000h

Figure 47. VOUT_MARGIN_LOW Register

15	14	13	12	11	10	9	8
Reserved							
R-0000 0000							
7	6	5	4	3	2	1	0
VOUT_MARGIN_LOW							
R/W							

Table 20. VOUT_MARGIN_LOW Register Field Descriptions

Bit	Field	Type	Reset	NVM	Description
15:8	Reserved	R	0000 0000	—	Always set to 0.
7:0	VOUT_MARGIN_LOW	R/W	0000 0000	—	Used to set the value for the VOUT Margin Low.

7.6.2.3.13 IOUT_CAL_OFFSET (39h)
Format Linear

Description The IOUT_CAL_OFFSET command sets the value of compensation for offset errors in the READ_IOUT command, in amperes.

Default 0000h

Figure 48. IOUT_CAL_OFFSET Register

15	14	13	12	11	10	9	8
IOCAL_OFS_EXPONENT						IOCAL_OFS_MANTISSA	
R/W						R/W	
7	6	5	4	3	2	1	0
IOCAL_OFS_MANTISSA							
R/W							

Table 21. IOUT_CAL_OFFSET Register Field Descriptions

Bit	Field	Type	Reset	NVM	Description
15:11	IOCAL_OFS_EXPONENT	R/W		—	5-bit, two's complement exponent (scaling factor).
10:0	IOCAL_OFS_MANTISSA	R/W		—	11-bit, two's complement mantissa.

7.6.2.3.14 VOUT_OV_FAULT_RESPONSE (41h)
Format N/A

Description The VOUT_OV_FAULT_RESPONSE command instructs the device on what action to take in response to an output overvoltage fault. Upon triggering the overvoltage fault, the controller is latched off, and the following actions are taken:

- Set the VOUT_OV_FAULT bit in the STATUS_BYTE,
- Set the VOUT bit in the STATUS_WORD,
- Set the VOUT_OV_FAULT bit in the STATUS_VOUT register, and
- The device notifies the host (asserts PMB_ALERT).

Default \sim filter="filter4, filter5"80hfilter="filter6"9Ah! \sim 80h

Figure 49. VOUT_OV_FAULT_RESPONSE Register

7	6	5	4	3	2	1	0
VOUT_OV_FAULT_RESPONSE							
R-1000 0000							

Table 22. VOUT_OV_FAULT_RESPONSE Register Field Descriptions

Bit	Field	Type	Reset	NVM	Description
7:0	VOUT_OV_FAULT_RESPO NSE	R	1000 0000	—	Upon triggering the overvoltage fault, the controller will shut the device down immediately and will not attempt to restart. The output remains disabled until the fault is cleared.

7.6.2.3.15 VOUT_UV_FAULT_RESPONSE (45h)

Format N/A

Description The VOUT_UV_FAULT_RESPONSE instructs the device on what action to take in response to an output undervoltage fault. Upon triggering the undervoltage fault, the following actions are taken:

- Set the OTHER bit in the STATUS_BYTE,
- Set the VOUT bit in the STATUS_WORD,
- Set the VOUT_UV_FAULT bit in the STATUS_VOUT register, and
- The device notifies the host (asserts $\overline{\text{PMB_ALERT}}$).

Default BAh

Figure 50. VOUT_UV_FAULT_RESPONSE Register

7	6	5	4	3	2	1	0
VOUT_UV_FAULT_RESPONSE							
R-1011 1010							

Table 23. VOUT_UV_FAULT_RESPONSE Register Field Descriptions

Bit	Field	Type	Reset	NVM	Description
7:0	VOUT_UV_FAULT_RESPONSE	R	1011 1010	—	Upon triggering the undervoltage fault, the controller will shut the device down immediately and will attempt to restart after a 22 ms delay.

7.6.2.3.16 IOUT_OC_FAULT_LIMIT (46h)

Format Linear

Description The IOUT_OC_FAULT_LIMIT command sets the value of the output current, in amperes, that causes an overcurrent fault condition. Upon triggering the overcurrent fault, the following actions are taken:

- Set the IOUT_OC_FAULT bit in the STATUS_BYTE,
- Set the IOUT bit in the STATUS_WORD,
- Set the IOUT_OC_FAULT bit in the STATUS_IOUT register, and
- The device notifies the host (asserts $\overline{\text{PMB_ALERT}}$).

Default 125% IMAX

Figure 51. IOUT_OC_FAULT_LIMIT Register

15	14	13	12	11	10	9	8
OCF_LIMIT_EXPONENT					OCF_LIMIT_MANTISSA		
R/W					R/W		
7	6	5	4	3	2	1	0
OCF_LIMIT_MANTISSA							
R/W							

Table 24. IOUT_OC_FAULT_LIMIT Register Field Descriptions

Bit	Field	Type	Reset	NVM	Description
15:11	OCF_LIMIT_EXPONENT	R/W		—	5-bit, two's complement exponent (scaling factor).
10:0	OCF_LIMIT_MANTISSA	R/W		—	11-bit, two's complement mantissa.

7.6.2.3.17 IOUT_OC_FAULT_RESPONSE (47h)

Format N/A

Description The IOUT_OC_FAULT_RESPONSE instructs the device on what action to take in response to an output overcurrent fault. Upon triggering the overcurrent fault, the controller is latched off, and the following actions are taken:

- Set the IOUT_OC_FAULT bit in the STATUS_BYTE,
- Set the IOUT bit in the STATUS_WORD,
- Set the IOUT_OC_FAULT bit in the STATUS_IOUT register, and
- The device notifies the host (asserts $\overline{\text{PMB_ALERT}}$).

Default FAh

Figure 52. IOUT_OC_FAULT_RESPONSE Register

7	6	5	4	3	2	1	0
IOUT_OC_FAULT_RESPONSE							
R-1111 1010							

Table 25. IOUT_OC_FAULT_RESPONSE Register Field Descriptions

Bit	Field	Type	Reset	NVM	Description
7:0	IOUT_OC_FAULT_RESPON SE	R	1111 1010	—	Upon triggering the overcurrent fault, the controller immediately shuts down the device and attempts to restart after a 22 ms delay.

7.6.2.3.18 IOUT_OC_WARN_LIMIT (4Ah)
Format Linear

Description The IOUT_OC_WARN_LIMIT command sets the value of the output current, in amperes, that causes an output overcurrent warning condition. Upon triggering the overcurrent warning, the following actions are taken:

- Set the OTHER bit in the STATUS_BYTE,
- Set the IOUT bit in the STATUS_WORD,
- Set the IOUT OC Warning bit in the STATUS_IOUT register, and
- The device notifies the host (asserts PMB_ALERT).

Default IMAX

Figure 53. IOUT_OC_WARN_LIMIT Register

15	14	13	12	11	10	9	8
OCW_LIMIT_EXPONENT					OCW_LIMIT_MANTISSA		
R/W					R/W		
7	6	5	4	3	2	1	0
OCW_LIMIT_MANTISSA							
R/W							

Table 26. IOUT_OC_WARN_LIMIT Register Field Descriptions

Bit	Field	Type	Reset	NVM	Description
15:11	OCW_LIMIT_EXPONENT	R/W		—	5-bit, two's complement exponent (scaling factor).
10:0	OCW_LIMIT_MANTISSA	R/W		—	11-bit, two's complement mantissa.

7.6.2.3.19 OT_FAULT_LIMIT (4Fh)
Format Linear

Description The OT_FAULT_LIMIT command sets the value of the temperature limit, in degrees Celsius, that causes an over-temperature fault condition. The default value is 125C°. Upon triggering the over-temperature fault, the following actions are taken:

- Set the TEMPERATURE bit in the STATUS_BYTE,
- Set the OT_FAULT bit in the STATUS_TEMPERATURE register, and
- The device notifies the host (asserts PMB_ALERT and VR_FAULT).

Default 007Dh

Figure 54. OT_FAULT_LIMIT Register

15	14	13	12	11	10	9	8
OT_LIMIT_EXPONENT					OT_LIMIT_MANTISSA		
R/W					R/W		
7	6	5	4	3	2	1	0
OT_LIMIT_MANTISSA							
R/W							

Table 27. OT_FAULT_LIMIT Register Field Descriptions

Bit	Field	Type	Reset	NVM	Description
15:11	OT_LIMIT_EXPONENT	R/W	0000 0	—	5-bit, two's complement exponent (scaling factor).
10:0	OT_LIMIT_MANTISSA	R/W	000 0111 1101	—	11-bit, two's complement mantissa.

7.6.2.3.20 OT_FAULT_RESPONSE (50h)

Format N/A

Description The OT_FAULT_RESPONSE instructs the device on what action to take in response to an over-temperature fault. Upon triggering the over-temperature fault, the controller shuts off and attempts to restart when the temperature reduces by 15C°, and the following actions are taken:

- Set the TEMPERATURE bit in the STATUS_BYTE,
- Set the OT_FAULT bit in the STATUS_TEMPERATURE register, and
- The device notifies the host (asserts PMB_ALERT and VR_FAULT).

Default F8h

Figure 55. OT_FAULT_RESPONSE Register

7	6	5	4	3	2	1	0
OT_FAULT_RESPONSE							
R-1111 1000							

Table 28. OT_FAULT_RESPONSE Register Field Descriptions

Bit	Field	Type	Reset	NVM	Description
7:0	OT_FAULT_RESPONSE	R	1111 1000	—	Upon triggering the over-temperature fault, the device will shut down immediately (disables the output), and will restart when the temperature goes 15 degree Celsius below OT_FAULT_LIMIT.

7.6.2.3.21 OT_WARN_LIMIT (51h)

Format Linear

Description The OT_WARN_LIMIT command sets the temperature, in degrees Celsius, at which it should indicate an over-temperature warning condition. The default value is 95C. Upon triggering the over-temperature warning, the following actions are taken:

- Sets the TEMPERATURE bit in the STATUS_BYTE,
- Sets the OT Warning bit in the STATUS_TEMPERATURE register, and
- The device notifies the host (asserts PMB_ALERT).

Default 005Fh

Figure 56. OT_WARN_LIMIT Register

15	14	13	12	11	10	9	8
OTW_WARN_EXPONENT					OTW_WARN_MANTISSA		
R/W					R/W		
7	6	5	4	3	2	1	0
OTW_WARN_MANTISSA							
R/W							

Table 29. OT_WARN_LIMIT Register Field Descriptions

Bit	Field	Type	Reset	NVM	Description
15:11	OTW_WARN_EXPONENT	R/W	0000 0	—	5-bit, two's complement exponent (scaling factor).
10:0	OTW_WARN_MANTISSA	R/W	000 0101 1111	—	11-bit, two's complement mantissa.

7.6.2.3.22 VIN_OV_FAULT_LIMIT (55h)
Format Linear

Description The VIN_OV_FAULT_LIMIT command sets the value of the input voltage that causes an input overvoltage fault condition. The default value is 17 V in NVM mode and 14 V in pinstrap mode. Upon triggering an input voltage fault, the following actions are taken:

- Sets the OTHER bit in the STATUS_BYTE,
- Sets the INPUT bit in the upper byte of the STATUS_WORD,
- Sets the VIN_OV_FAULT bit in the STATUS_INPUT register, and
- The device notifies the host (asserts PMB_ALERT).

Default ~~0011h~~ **!~000Fh**
Figure 57. VIN_OV_FAULT_LIMIT Register

15	14	13	12	11	10	9	8
VIN_OVF_EXPONENT					VIN_OVF_MANTISSA		
R/W					R/W		
7	6	5	4	3	2	1	0
VIN_OVF_MANTISSA							
R/W							

Table 30. VIN_OV_FAULT_LIMIT Register Field Descriptions

Bit	Field	Type	Reset	NVM	Description
15:11	VIN_OVF_EXPONENT	R/W	0000 0	—	5-bit, two's complement exponent (scaling factor).
10:0	VIN_OVF_MANTISSA	R/W	000 0001 0001	—	11-bit, two's complement mantissa.

After a STORE_DEFAULT_ALL command, the controller reads the last two LSB of VIN_OV_FAULT_LIMIT and convert to decimal, and then adds 14 and converts to save into the VIN_OV_FAULT_LIMIT register. For example, when the two LSB are 01b, after STORE_DEFAULT_ALL command, the VIN_OV_FAULT_LIMIT reads 000Fh (15 V).

7.6.2.3.23 IIN_OC_FAULT_LIMIT (5Bh)
Format Linear

Description The IIN_OC_FAULT_LIMIT command sets the value of the input current, in amperes, that causes an input overcurrent fault condition. Upon triggering the overcurrent fault, the following actions are taken:

- Sets the OTHER bit in the STATUS_BYTE,
- Sets the INPUT bit in the STATUS_WORD,
- Sets the IIN_OC_FAULT bit in the STATUS_INPUT register, and
- The device notifies the host (asserts PMB_ALERT).

Default 00FFh

Figure 58. IIN_OC_FAULT_LIMIT Register

15	14	13	12	11	10	9	8
INOCF_LIMIT_EXPONENT					INOCF_LIMIT_MANTISSA		
R/W					R/W		
7	6	5	4	3	2	1	0
INOCF_LIMIT_MANTISSA							
R/W							

Table 31. IIN_OC_FAULT_LIMIT Register Field Descriptions

Bit	Field	Type	Reset	NVM	Description
15:11	INOCF_LIMIT_EXPONENT	R/W	0000 0	—	5-bit, two's complement exponent (scaling factor).
10:0	INOCF_LIMIT_MANTISSA	R/W	000 1111 1111	—	11-bit, two's complement mantissa.

7.6.2.3.24 IIN_OC_FAULT_RESPONSE (5Ch)

Format N/A

Description The IIN_OC_FAULT_RESPONSE instructs the device on what action to take in response to an input overcurrent fault. Upon triggering the input overcurrent fault, the controller is latched off, and the following actions are taken:

- Sets the OTHER bit in the STATUS_BYTE,
- Sets the INPUT bit in the STATUS_WORD,
- Sets the IIN_OC_FAULT bit in the STATUS_INPUT register, and
- The device notifies the host (asserts $\overline{\text{PMB_ALERT}}$ and $\overline{\text{VR_FAULT}}$).

Default C0h

Figure 59. IIN_OC_FAULT_RESPONSE Register

7	6	5	4	3	2	1	0
IIN_OC_FAULT_RESPONSE							
R-1100 0000							

Table 32. IIN_OC_FAULT_RESPONSE Register Field Descriptions

Bit	Field	Type	Reset	NVM	Description
7:0	IIN_OC_FAULT_RESPONSE	R	1100 0000	—	Upon triggering the input overcurrent fault, the device will shut down immediately (disables the output), and will not attempt to restart. The output then remains disabled until the fault is cleared.

7.6.2.3.25 IIN_OC_WARN_LIMIT (5Dh)
Format Linear

Description The IIN_OC_WARN_LIMIT command sets the value of the input current, in amperes, that causes the input overcurrent warning condition. The default setting is 25A. Upon triggering the overcurrent warning, the following actions are taken:

- Sets the OTHER bit in the STATUS_BYTE,
- Sets the INPUT bit in the STATUS_WORD,
- Sets the IIN OC Warning bit in the STATUS_INPUT register, and
- The device notifies the host (asserts PMB_ALERT).

Default 0019h

Figure 60. IIN_OC_WARN_LIMIT Register

15	14	13	12	11	10	9	8
INOCW_LIMIT_EXPONENT					INOCW_LIMIT_MANTISSA		
R/W					R/W		
7	6	5	4	3	2	1	0
INOCW_LIMIT_MANTISSA							
R/W							

Table 33. IIN_OC_WARN_LIMIT Register Field Descriptions

Bit	Field	Type	Reset	NVM	Description
15:11	INOCW_LIMIT_EXPONENT	R/W	0000 0	—	5-bit, two's complement exponent (scaling factor).
10:0	INOCW_LIMIT_MANTISSA	R/W	000 0001 1001	—	11-bit, two's complement mantissa.

7.6.2.3.26 STATUS_BYTE (78h)
Format N/A

Description The STATUS_BYTE command returns a single byte of information with the a summary of critical faults. The STATUS_BYTE command is the same register as the low byte of the STATUS_WORD command. It should be noted that all faults and warnings trigger the assertion of PMB_ALERT.

Default 00h

Figure 61. STATUS_BYTE Register

7	6	5	4	3	2	1	0
BUSY	OFF	VOUT_OV	IOUT_OC	VIN_UV	TEMP	CML	OTHER
R-0	R	R	R	R	R	R	R

Table 34. STATUS_BYTE Register Field Descriptions

Bit	Field	Type	Reset	NVM	Description
7	BUSY	R	0	—	Not supported and always set to 0
6	OFF	R		—	This bit is asserted if the unit is not providing power to the output, regardless of the reason, including simply not being enabled. 0: Raw status indicating the IC is providing power to VOUT. 1: Raw status indicating the IC is not providing power to VOUT.
5	VOUT_OV	R		—	Output Over-Voltage Fault Condition 0: Latched flag indicating no VOUT OV fault has occurred. 1: Latched flag indicating a VOUT OV fault occurred
4	IOUT_OC	R		—	Output Over-Current Fault Condition 0: Latched flag indicating no IOUT OC fault has occurred. 1: Latched flag indicating an IOUT OC fault has occurred.
3	VIN_UV	R		—	Input Under-Voltage Fault Condition 0: Latched flag indicating VIN is above the UVLO threshold. 1: Latched flag indicating VIN is below the UVLO threshold.
2	TEMP	R		—	Over-Temperature Fault/Warning 0: Latched flag indicating no OT fault or warning has occurred. 1: Latched flag indicating an OT fault or warning has occurred.
1	CML	R		—	Communications, Memory or Logic Fault 0: Latched flag indicating no communication, memory, or logic fault has occurred. 1: Latched flag indicating a communication, memory, or logic fault has occurred.
0	OTHER	R		—	Other Fault This bit is used to flag faults not covered with the other bit faults. In this case, UVF or OCW faults are examples of other faults not covered by the bits [6:1] in this register. 0: No fault has occurred 1: A fault or warning not listed in bits [6:1] has occurred.

7.6.2.3.27 STATUS_WORD (79h)
Format N/A

Description The STATUS_WORD command returns two bytes of information with a summary of critical faults, such as over-voltage, overcurrent, over-temperature, etc. It should be noted that all faults and warnings except VIN_UV trigger the assertion of PMB_ALERT.

NOTE: The STATUS_WORD low byte is the STATUS_BYTE.

Default 0000h

Figure 62. STATUS_WORD Register

15	14	13	12	11	10	9	8
VOUT	IOUT	INPUT	MFR	PGOOD	FANS	OTHER	UNKNOWN
R	R	R	R	R	R-0	R-0	R-0
7	6	5	4	3	2	1	0
BUSY	OFF	VOUT_OV	IOUT_OC	VIN_UV	TEMP	CML	OTHER
R-0	R	R	R	R	R	R	R

Table 35. STATUS_WORD Register Field Descriptions

Bit	Field	Type	Reset	NVM	Description
15	VOUT	R		—	Output Voltage Fault/Warning 0: Latched flag indicating no VOUT fault or warning has occurred. 1: Latched flag indicating a VOUT fault or warning has occurred.
14	IOUT	R		—	Output Current Fault/Warning 0: Latched flag indicating no IOUT fault or warning has occurred. 1: Latched flag indicating an IOUT fault or warning has occurred.
13	INPUT	R		—	Input Voltage/Current Fault/Warning 0: Latched flag indicating no VIN or IIN fault or warning has occurred. 1: Latched flag indicating a VIN or IIN fault or warning has occurred.
12	MFR	R		—	MFR_SPECIFIC Fault 0: Latched flag indicating no MFR_SPECIFIC fault has occurred. 1: Latched flag indicating a MFR_SPECIFIC fault has occurred.
11	PGOOD	R		—	Power Good Status 0: Raw status indicating VRRDY pin is at logic high. 1: Raw status indicating VRRDY pin is at logic low.
10	FANS	R	0	—	Not supported and always set to 0.
9	OTHER	R	0	—	Not supported and always set to 0.
8	UNKNOWN	R	0	—	Not supported and always set to 0.
7	BUSY	R	0	—	See information in Table 34
6	OFF	R		—	
5	VOUT_OV	R		—	
4	IOUT_OC	R		—	
3	VIN_UV	R		—	
2	TEMP	R		—	
1	CML	R		—	
0	OTHER	R		—	

7.6.2.3.28 STATUS_VOUT (7Ah)

Format N/A
Description The STATUS_VOUT command returns one byte of information relating to the status of the converter's output voltage related faults.
Default 00h

Figure 63. STATUS_VOUT Register

7	6	5	4	3	2	1	0
VOUT_OVF	VOUT_OVW	VOUT_UVW	VOUT_UVF	VOUT_MAXW	TON_MAX	TOFF_MAX	VOUT_TRACK
R	R-0	R-0	R	R	R-0	R-0	R-0

Table 36. STATUS_VOUT Register Field Descriptions

Bit	Field	Type	Reset	NVM	Description
7	VOUT_OVF	R		—	Output Over-Voltage Fault 0: Latched flag indicating no VOUT OV fault has occurred. 1: Latched flag indicating a VOUT OV fault has occurred.
6	VOUT_OVW	R	0	—	Not supported and always set to 0.
5	VOUT_UVW	R	0	—	Not supported and always set to 0.
4	VOUT_UVF	R		—	Output Under-Voltage Fault 0: Latched flag indicating no VOUT UV fault has occurred. 1: Latched flag indicating a VOUT UV fault has occurred.
3	VOUT_MAXW	R		—	VOUT Max Warning 0: Latched flag indicating that no VOUT Max warning has occurred 1: Latched flag indicating that an attempt has been made to set the output voltage to a value higher than allowed by the VOUT_MAX command.
2	TON_MAX	R	0	—	Not supported and always set to 0.
1	TOFF_MAX	R	0	—	Not supported and always set to 0.
0	VOUT_TRACK	R	0	—	Not supported and always set to 0.

7.6.2.3.29 STATUS_IOUT (7Bh)

Format N/A
Description The STATUS_IOUT command returns one byte of information relating to the status of the converter's output current related faults.
Default 00h

Figure 64. STATUS_IOUT Register

7	6	5	4	3	2	1	0
IOUT_OCF	IOUT_OCUVF	IOUT_OCW	IOUT_UCF	CUR_SHAREF	POW_LIMIT	POUT_OPF	POUT_OPW
R	R-0	R	R-0	R-0	R-0	R-0	R-0

Table 37. STATUS_IOUT Register Field Descriptions

Bit	Field	Type	Reset	NVM	Description
7	IOUT_OCF	R		—	Output Over-Current Fault 0: Latched flag indicating no IOUT OC fault has occurred. 1: Latched flag indicating a IOUT OC fault has occurred .

Table 37. STATUS_IOUT Register Field Descriptions (continued)

Bit	Field	Type	Reset	NVM	Description
6	IOUT_OCUVF	R	0	—	Not supported and always set to 0.
5	IOUT_OCW	R		—	Output Over-Current Warning 0: Latched flag indicating no IOUT OC warning has occurred 1: Latched flag indicating a IOUT OC warning has occurred
4	IOUT_UCF	R	0	—	Not supported and always set to 0.
3	CUR_SHAREF	R	0	—	Not supported and always set to 0.
2	POW_LIMIT	R	0	—	Not supported and always set to 0.
1	POUT_OPF	R	0	—	Not supported and always set to 0.
0	POUT_OPW	R	0	—	Not supported and always set to 0.

7.6.2.3.30 STATUS_INPUT (7Ch)
Format

N/A

Description

The STATUS_INPUT command returns one byte of information relating to the status of the converter's input voltage and current related faults.

Default

00h

Figure 65. STATUS_INPUT Register

7	6	5	4	3	2	1	0
VIN_OVF	VIN_OVW	VIN_UVW	VIN_UVF	VIN_OFF	IIN_OCF	IIN_OCW	PIN_OPW
R	R-0	R-0	R	R-0	R	R	R-0

Table 38. STATUS_INPUT Register Field Descriptions

Bit	Field	Type	Reset	NVM	Description
7	VIN_OVF	R		—	Input Over-Voltage Fault 0: Latched flag indicating no VIN OV fault has occurred. 1: Latched flag indicating a VIN OV fault has occurred.
6	VIN_OVW	R	0	—	Not supported and always set to 0.
5	VIN_UVW	R	0	—	Not supported and always set to 0.
4	VIN_UVF	R		—	Input Under-Voltage Fault 0: Latched flag indicating no VIN UV fault has occurred. 1: Latched flag indicating a VIN UV fault has occurred.
3	VIN_OFF	R	0	—	Not supported and always set to 0.
2	IIN_OCF	R		—	Input Over-Current Fault 0: Latched flag indicating no IIN OC fault has occurred. 1: Latched flag indicating a IIN OC fault has occurred.
1	IIN_OCW	R		—	Input Over-Current Warning 0: Latched flag indicating no IIN OC warning has occurred. 1: Latched flag indicating a IIN OC warning has occurred.
0	PIN_OPW	R	0	—	Not supported and always set to 0.

7.6.2.3.31 STATUS_TEMPERATURE (7Dh)

Format	N/A
Description	The STATUS_TEMPERATURE command returns one byte of information relating to the status of the converter's temperature related faults.
Default	00h

Figure 66. STATUS_TEMPERATURE Register

7	6	5	4	3	2	1	0
OTF	OTW	UTW	UTF	Reserved			
R	R	R-0	R-0	R-0000			

Table 39. STATUS_TEMPERATURE Register Field Descriptions

Bit	Field	Type	Reset	NVM	Description
7	OTF	R		—	Over-Temperature Fault 0: Latched flag indicating no temperature fault has occurred. 1: Latched flag indicating a temperature fault has occurred.
6	OTW	R		—	Over-Temperature Warning 0: Latched flag indicating no temperature warning has occurred. 1: Latched flag indicating a temperature warning has occurred.
5	UTW	R	0	—	Not supported and always set to 0.
4	UTF	R	0	—	Not supported and always set to 0.
3-0	Reserved	R	0000	—	Always set to 0.

7.6.2.3.32 STATUS_CML (7Eh)

Format	N/A
Description	The STATUS_CML command returns one byte with contents regarding communication, logic, or memory conditions.
Default	00h

Figure 67. STATUS_CML Register

7	6	5	4	3	2	1	0
US_CMD	US_DATA	PEC_FAIL	MEM_FAULT	PRO_FAULT	Reserved	COM_FAIL	CML_OTHER
R	R	R	R	R-0	R-0	R	R-0

Table 40. STATUS_CML Register Field Descriptions

Bit	Field	Type	Reset	NVM	Description
7	US_CMD	R		—	Invalid or Unsupported Command Received 0: Latched flag indicating no invalid or unsupported command has received. 1: Latched flag indicating an invalid or unsupported command has received.
6	US_DATA	R		—	Invalid or Unsupported Data Received 0: Latched flag indicating no invalid or unsupported data has received. 1: Latched flag indicating an invalid or unsupported data has received.
5	PEC_FAIL	R		—	Packet Error Check Failed 0: Latched flag indicating no packet error check has failed 1: Latched flag indicating a packet error check has failed
4	MEM_FAULT	R		—	Memory Error 0: Latched flag indicating that there is no memory error. 1: Latched flag indicating that a memory error, i.e. PMBus controller is trying to write into registers when NVM memory is being programmed.
3	PRO_FAULT	R	0	—	Not supported and always set to 0.
2	Reserved	R	0	—	Always set to 0.
1	COM_FAIL	R		—	Other Communication Faults 0: Latched flag indicating no communication fault other than the ones listed in this table has occurred. 1: Latched flag indicating a communication fault other than the ones listed in this table has occurred.
0	CML_OTHER	R	0	—	Not supported and always set to 0.

7.6.2.3.33 STATUS_MFR_SPECIFIC (80h)

Format N/A
Description The STATUS_MFR_SPECIFIC command returns one byte containing manufacturer-specific faults or warnings.
Default 00h

Figure 68. STATUS_MFR_SPECIFIC Register

7	6	5	4	3	2	1	0
MFR_FAULT_PS	MFR_PBF	CUR_SH_WARN			RST_VOUT	VOUT_MIN	PHFLT
R	R	R			R	R	R

Table 41. STATUS_MFR_SPECIFIC Register Field Descriptions

Bit	Field	Type	Reset	NVM	Description
7	MFR_FAULT_PS	R		—	Power State Fault 0: Latched flag indicating no fault from TI power stage has occurred. 1: Latched flag indicating a fault from TI power stage has occurred.
6	MFR_PBF	R		—	Pre-Bias Fault 0: Latched flag indicating no pre-bias fault (V _{OUT} > 2.75V at startup) has occurred. 1: Latched flag indicating a pre-bias fault (V _{OUT} > 2.75V at startup) has occurred.
5:3	CUR_SH_WARN	R	000	—	not supported and always set to 0
2	RST_VOUT	R		—	RST_VOUT Fault 0: Latched flag indicating no RST_VOUT fault has occurred. 1: Latched flag indicating a RST_VOUT fault has occurred.
1	VOUT_MIN	R		—	VOUT_MIN Fault 0: Latched flag indicating no VOUT_MIN fault has occurred. 1: Latched flag indicating a VOUT_MIN fault has occurred.
0	PHFLT	R		—	Phase Fault 0: Latched flag indicating no phase fault (no phase pulse detected) has occurred. 1: Latched flag indicating a phase fault (no phase pulse detected) has occurred.

7.6.2.3.34 READ_VIN (88h)

Format Linear

Description The READ_VIN command returns the input voltage in volts. Refer to [Equation 6](#) to get the real world value.

Default

Figure 69. READ_VIN Register

15	14	13	12	11	10	9	8
READ_VIN_EXPONENT					READ_VIN_MANTISSA		
R					R		
7	6	5	4	3	2	1	0
READ_VIN_MANTISSA							
R							

Table 42. READ_VIN Register Field Descriptions

Bit	Field	Type	Reset	NVM	Description
15:11	READ_VIN_EXPONENT	R		—	5-bit, two's complement exponent (scaling factor).
10:0	READ_VIN_MANTISSA	R		—	11-bit, two's complement mantissa.

7.6.2.3.35 READ_IIN (89h)

Format Linear

Description The READ_IIN command returns the input current in amperes. Refer to [Equation 6](#) to get the real world value.

Default

Figure 70. READ_IIN Register

15	14	13	12	11	10	9	8
READ_IIN_EXPONENT					READ_IIN_MANTISSA		
R					R		
7	6	5	4	3	2	1	0
READ_IIN_MANTISSA							
R							

Table 43. READ_IIN Register Field Descriptions

Bit	Field	Type	Reset	NVM	Description
15:11	READ_IIN_EXPONENT	R		—	5-bit, two's complement exponent (scaling factor).
10:0	READ_IIN_MANTISSA	R		—	11-bit, two's complement mantissa.

7.6.2.3.36 READ_VOUT (8Bh)
Format VID

Description The READ_VOUT command returns the actual, measured output voltage.

Default

Another command, MFR_READ_VOUT (D4h), returns the measured output voltage in linear format.

Figure 71. READ_VOUT Register

15	14	13	12	11	10	9	8
READ_VOUT_VID							
R							
7	6	5	4	3	2	1	0
READ_VOUT_VID							
R							

Table 44. READ_VOUT Register Field Descriptions

Bit	Field	Type	Reset	NVM	Description
15:0	READ_VOUT_VID	R		—	16-bit, VID format

7.6.2.3.37 READ_IOUT (8Ch)
Format Linear

Description The READ_IOUT command returns the output current in amperes. Refer to [Equation 6](#) to get the real world value.

Default
Figure 72. READ_IOUT Register

15	14	13	12	11	10	9	8
READ_IOUT_EXPONENT					READ_IOUT_MANTISSA		
R					R		
7	6	5	4	3	2	1	0
READ_IOUT_MANTISSA							
R							

Table 45. READ_IOUT Register Field Descriptions

Bit	Field	Type	Reset	NVM	Description
15:11	READ_IOUT_EXPONENT	R		—	5-bit, two's complement exponent (scaling factor).
10:0	READ_IOUT_MANTISSA	R		—	11-bit, two's complement mantissa.

7.6.2.3.38 READ_TEMPERATURE_1 (8Dh)

Format Linear

Description The READ_TEMPERATURE_1 command returns the temperature in degrees Celsius. Refer to [Equation 6](#) to get the real world value.

Default

Figure 73. READ_TEMPERATURE_1 Register

15	14	13	12	11	10	9	8
READ_TEMP_1_EXPONENT					READ_TEMP_1_MANTISSA		
R					R		
7	6	5	4	3	2	1	0
READ_TEMP_1_MANTISSA							
R							

Table 46. READ_TEMPERATURE_1 Register Field Descriptions

Bit	Field	Type	Reset	NVM	Description
15:11	READ_TEMP_1_EXPONENT	R		—	5-bit, two's complement exponent (scaling factor).
10:0	READ_TEMP_1_MANTISSA	R		—	11-bit, two's complement mantissa.

7.6.2.3.39 READ_POUT (96h)
Format Linear

Description The READ_POUT command returns the output power in watts. Refer to [Equation 6](#) to get the real world value.

Default
Figure 74. READ_POUT Register

15	14	13	12	11	10	9	8
READ_POUT_EXPONENT					READ_POUT_MANTISSA		
R					R		
7	6	5	4	3	2	1	0
READ_POUT_MANTISSA							
R							

Table 47. READ_POUT Register Field Descriptions

Bit	Field	Type	Reset	NVM	Description
15:11	READ_POUT_EXPONENT	R		—	5-bit, two's complement exponent (scaling factor).
10:0	READ_POUT_MANTISSA	R		—	11-bit, two's complement mantissa.

7.6.2.3.40 READ_PIN (97h)

Format Linear

Description The READ_PIN command returns the input power in watts. Refer to [READ_PIN \(97h\)](#) to get the real world value.

Default

Figure 75. READ_PIN Register

15	14	13	12	11	10	9	8
READ_PIN_EXPONENT					READ_PIN_MANTISSA		
R					R		
7	6	5	4	3	2	1	0
READ_PIN_MANTISSA							
R							

Table 48. READ_PIN Register Register Field Descriptions

Bit	Field	Type	Reset	NVM	Description
15:11	READ_PIN_EXPONENT	R		—	5-bit, two's complement exponent (scaling factor).
10:0	READ_PIN_MANTISSA	R		—	11-bit, two's complement mantissa.

7.6.2.3.41 PMBus_REVISION (98h)

Format N/A

Description The PMBus_REVISION command returns the revision of the PMBus to which the device is compliant.

Default 11h

Figure 76. PMBus_REVISION Register

7	6	5	4	3	2	1	0
PMBUS_REV							
R-0001 0001							

Table 49. PMBus_REVISION Register Field Descriptions

Bit	Field	Type	Reset	NVM	Description
7:0	PMBUS_REV	R	0001 0001	—	Compliant to revision 1.1 of the PMBus specification.

7.6.2.3.42 MFR_ID (99h)

Format N/A

Description The MFR_ID command loads the unit with the text character that contains the manufacturer's ID.

Default ~~!~~~ NVM: 5401h! **~5401h**

Figure 77. MFR_ID Register

15	14	13	12	11	10	9	8
MFR_ID_BW							
R/W							
7	6	5	4	3	2	1	0
MFR_ID_HC							
R-0000 0001							

Table 50. MFR_ID Register Field Descriptions

Bit	Field	Type	Reset	NVM	Description
15:8	MFR_ID_BW	R/W		Yes	PMBus Block Write
7:0	MFR_ID_HC	R	0000 0001	—	Hard Coded to 01h

7.6.2.3.43 MFR_MODEL (9Ah)

Format	N/A
Description	The MFR_MODEL command loads the unit with the text character that contains the model number of the manufacturer.
Default	NVM: 4701h

Figure 78. MFR_MODEL Register

15	14	13	12	11	10	9	8
MFR_MODEL_BW							
R/W							
7	6	5	4	3	2	1	0
MFR_MODEL_HC							
R-0000 0001							

Table 51. MFR_MODEL Register Field Descriptions

Bit	Field	Type	Reset	NVM	Description
15:8	MFR_MODEL_BW	R/W		Yes	PMBus Block Write
7:0	MFR_MODEL_HC	R	0000 0001	—	Hard Coded to 01h

7.6.2.3.44 MFR_REVISION (9Bh)

Format	N/A
Description	The MFR_REVISION command loads the unit with the text character that contains the revision number of the manufacturer. This is typically done once at the time of manufacture.
Default	

Figure 79. MFR_REVISION Register

15	14	13	12	11	10	9	8
MFR_REVISION_HC1				MFR_REVISION_BW			
R-0000				R/W			
7	6	5	4	3	2	1	0
MFR_REVISION_HC2							
R-0000 0001							

Table 52. MFR_REVISION Register Field Descriptions

Bit	Field	Type	Reset	NVM	Description
15:12	MFR_REVISION_HC1	R	0001	—	Hard Coded to 0h
11:8	MFR_REVISION	R/W		Yes	PMBus Block Write
7:0	MFR_REVISION_HC2	R	0000 0001	—	Hard Coded to 01h

7.6.2.3.45 MFR_DATE (9Dh)
Format N/A

Description The MFR_DATE command loads the unit with the text character that identifies the device's date of manufacture. This is typically done once at the time of manufacture.

Default
Figure 80. MFR_DATE Register

15	14	13	12	11	10	9	8
MFR_DATE_BW							
R/W							
7	6	5	4	3	2	1	0
MFR_DATE_HC							
R-0000 0001							

Table 53. MFR_DATE Register Field Descriptions

Bit	Field	Type	Reset	NVM	Description
15:8	MFR_DATE_BW	R/W		Yes	PMBus Block Write
7:0	MFR_DATE_HC	R	0000 0001	—	Hard Coded to 01h.

7.6.2.3.46 MFR_VOUT_MIN (A4h)
Format VID

Description The MFR_VOUT_MIN command sets an lower limit on the output voltage that the unit can command regardless of any other commands or combinations. The intent of this command is to provide a safeguard against a user accidentally setting the output voltage to a possibly non-operational level. The device detects that an attempt has been made to program the output to a voltage lower than the value set by the MFR_VOUT_MIN command. The device treats this detection as a warning condition and not a fault condition. If an attempt is made to program the output voltage lower than the limit set by this command, the device responds as follows:

- The commanded output voltage is set to MFR_VOUT_MIN,
- The OTHER bit is set in the STATUS_BYTE,
- The VOUT bit is set in the STATUS_WORD,
- The MFR_VOUT_MIN warning bit is set in the STATUS_VOUT register, and
- The device notifies the host (asserts PMBUS_ALERT).

The data bytes are two bytes, which are in right-justified VID format. The VID table mapping determined by the selected VID protocols (VR12.0 or VR12.5) from the SLEW_MODE pin or MFR_SPECIFIC_13.

Default 0000h

Figure 81. MFR_VOUT_MIN Register

15	14	13	12	11	10	9	8
RESERVED							
R-0000 0000							
7	6	5	4	3	2	1	0
MFR_VOUT_MIN							
R/W							

Table 54. MFR_VOUT_MIN Register Field Descriptions

Bit	Field	Type	Reset	NVM	Description
15:8	RESERVED	R	0000 0000	—	Hard coded to 00h
7:0	MFR_VOUT_MIN	R/W	0000 0000	—	Minimum value for VID

7.6.2.3.47 MFR_SPECIFIC_00 (Per-Phase Overcurrent Limit) (D0h)

Format N/A

Description The MFR_SPECIFIC_00 command sets the valley-current threshold for the per-phase overcurrent limit. The settings can override the default setting from the OCL-R pin.

Default Pin strap: OCL-R pin
NVM: 08h

Figure 82. MFR_SPECIFIC_00 (Per-Phase Overcurrent Limit) Register

7	6	5	4	3	2	1	0
Reserved				OCL			
R-0000				R/W			

Table 55. MFR_SPECIFIC_00 (Per-Phase Overcurrent Limit) Register Field Descriptions

Bit	Field	Type	Reset	NVM	Description
7:4	Reserved	R	R-0000	—	Always set to 0.
3:0	OCL	R/W		Yes	0000: 24A 0001: 27A 0010: 30A 0011: 33A 0100: 36A 0101: 39A 0110: 42A 0111: 45A 1000: 48A 1001: 51A 1010: 54A 1011: 57A 1100: 60A 1101: 63A 1110: 66A 1111: 69A

7.6.2.3.48 MFR_SPECIFIC_01 (Telemetry Averaging Time) (D1h)

Format

Description The MFR_SPECIFIC_01 command sets the averaging time for telemetry reporting.

Default 50h

Figure 83. MFR_SPECIFIC_01 (Telemetry Averaging Time) Register

7	6	5	4	3	2	1	0
Reserved	FILTER_PIN			Reserved	FILTER_IV		
R-0	R/W			R-00	R/W		

Table 56. MFR_SPECIFIC_01 (Telemetry Averaging Time) Register Field Descriptions

Bit	Field	Type	Reset	NVM	Description
7	Reserved	R	0	—	Always set to 0.
6:4	FILTER_PIN	R/W	101	—	Averaging Time for Input Power Reporting 000: Bypass. 001: 2 ms 010: 5.5 m 011: 11.5 m 100: 19 ms 101: 50 ms 110: 100 ms 111: 225 ms
3:2	Reserved	R	00	—	Always set to 0.
1:0	FILTER_IV	R/W	00	—	Averaging Time for Current and Voltage Reporting 00: Bypass. 01: .5 ms 10: 1 ms 11: 2.5 ms

7.6.2.3.49 MFR_SPECIFIC_04 (Read VOUT) (D4h)

Format Linear

Description The MFR_SPECIFIC_04 command returns the actual, measured output voltage in volts. Refer to [Equation 6](#) to get the real world value, where n= -9.

Default

Figure 84. MFR_SPECIFIC_04 (Read VOUT) Register

15	14	13	12	11	10	9	8
MFR_SPEC_04_MANTISSA							
R							
7	6	5	4	3	2	1	0
MFR_SPEC_04_MANTISSA							
R							

Table 57. MFR_SPECIFIC_04 (Read VOUT) Register Register Field Descriptions

Bit	Field	Type	Reset	NVM	Description
15:0	MFR_SPEC_04_MANTISSA	R		—	Unsigned 16-bit mantissa with an exponent value of n=-9.

7.6.2.3.50 MFR_SPECIFIC_05 (VOUT Trim) (D5h)

Format	Signed Two's Complement
Description	The MFR_SPECIFIC_05 command is used to trim the VR output voltage in volts. LSB resolution is 5 mV/10 mV based on the selected VR12.0/VR12.5.
Default	NVM: 00h

Figure 85. MFR_SPECIFIC_05 (VOUT Trim) Register

7	6	5	4	3	2	1	0
VOUT_VID_OFFSET							
R/W							

Table 58. MFR_SPECIFIC_05 (VOUT Trim) Register Field Descriptions

Bit	Field	Type	Reset	NVM	Description
7:0	VOUT_VID_OFFSET	R/W		Yes	Sets the VR output trim voltage. 01111111: 0.635 V in VR12.0 and 1.27V in VR12.5 01111110: 0.630 V in VR12.0 and 1.26 V in VR12.5 00000001: 0.005 V in VR12.0 and 0.01 V in VR12.5 00000000: 0 V 11111111: –0.005 V in VR12.0 and –0.01 V in VR12.5 10000001: –0.635 V in VR12.0 and –1.27 V in VR12.5 10000000: –0.640 V in VR12.0 and –1.28 V in VR12.5

7.6.2.3.51 MFR_SPECIFIC_07 (Additional Function Bits) (D7h)

Format	N/A
Description	The MFR_SPECIFIC_07 command sets the additional function bits.
Default	NVM: 02h

Figure 86. MFR_SPECIFIC_07 (Additional Function Bits) Register

7	6	5	4	3	2	1	0
Reserved					SLEW_FAST	OSR_TRISTATE	SST_TIME
R-0000 0					R/W		

Table 59. MFR_SPECIFIC_07 (Additional Function Bits) Register Field Descriptions

Bit	Field	Type	Reset	NVM	Description
7:3	Reserved	R	000 00	—	Always set to 0.
2	SLEW_FAST	R/W		Yes	Fast Slew Mode Enable/Disable 0: Default slew rate selected by MFR_SPECIFIC_13[2:0] 1: Add 1.36 mV/μs to the selected slew rate
1	OSR_TRISTATE	R/W		Yes	Body Braking Enable/Disable 0: Enable OSR pulse truncation without body braking 1: Enable OSR pulse truncation with body braking
0	SST_TIME	R/W		Yes	Soft Slew Rate Selection 0: soft start slew rate dependent on TRISE 1: 1/16 of the selected slew rate for soft-start

7.6.2.3.52 MFR_SPECIFIC_08 (Droop) (D8h)

Format N/A
Description The MFR_SPECIFIC_08 command sets the load line as percentage of the default one. For example, if slope is set as 1mohm = 100%, then 0.5mohm = 50%
Default 04h

Figure 87. MFR_SPECIFIC_08 (Droop) Register

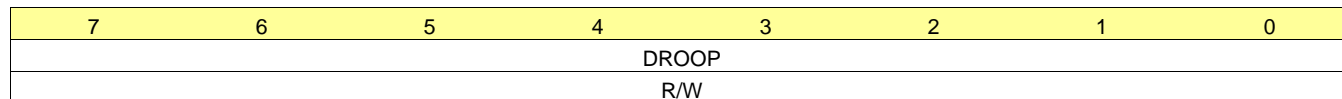


Table 60. MFR_SPECIFIC_08 (Droop) Register Field Descriptions

Bit	Field	Type	Reset	NVM	Description
7:0	DROOP	R/W	0000 0100	—	0000 0000: 0% 0000 0001: 25% 0000 0010: 50% 0000 0011: 75% 0000 0100: 100% 0001 0000: 80% 0010 0000: 85% 0011 0000: 90% 0100 0000: 95% 0101 0000: 105% 0110 0000: 110% 0111 0000: 115% 1000 0000: 120% 1001 0000: 125% 1010 0000: 150% 1011 0000: 175% Others: 100%

7.6.2.3.53 MFR_SPECIFIC_09 (OSR/USR) (D9h)

Format	N/A
Description	The MFR_SPECIFIC_09 command sets the threshold for OSR and USR control. The setting can override the default setting from the O-USR pin.
Default	Pin strap: O-USR pin NVM: 77h

Figure 88. MFR_SPECIFIC_09 (OSR/USR) Register

7	6	5	4	3	2	1	0
Reserved	USR			Reserved	OSR		
R-0	R/W			R-0	R/W		

Table 61. MFR_SPECIFIC_09 (OSR/USR) Register Field Descriptions

Bit	Field	Type	Reset	NVM	Description
7	Reserved	R	0	—	Always set to 0.
6:4	USR	R/W		Yes	Undershoot Reduction 000: 20 mV 001: 30 mV 010: 60 mV 011: 80 mV 100: 100 mV 101: 120 mV 110: 140 mV 111: USR off
3	Reserved	R	0	—	Always set to 0.
2:0	OSR	R/W		Yes	Overshoot Reduction 000: 30 mV 001: 40 mV 010: 60 mV 011: 80 mV 100: 100 mV 101: 120 mV 110: 140 mV 111: OSR off

7.6.2.3.54 MFR_SPECIFIC_10 (Maximum Operating Current) (DAh)

Format	N/A
Description	The MFR_SPECIFIC_10 command sets the maximum operating current (IMAX, unit: A) of the converter. The setting can override the default setting from the F-IMAX pin
Default	Pin strap: F-IMAX pin NVM: 78h

Figure 89. MFR_SPECIFIC_10 (Maximum Operating Current) Register

7	6	5	4	3	2	1	0
IMAX							
R/W							

Table 62. MFR_SPECIFIC_10 (Maximum Operating Current) Register Field Descriptions

Bit	Field	Type	Reset	NVM	Description
7:0	IMAX	R/W		Yes	Set maximum operating current.

7.6.2.3.55 MFR_SPECIFIC_11 (VBOOT) (DBh)

Format	VID
Description	The MFR_SPECIFIC_11 command sets the boot voltage in 8-bit VID format. The setting can override the default setting from the VBOOT pin.
Default	Pin strap: VBOOT pin NVM: 97h

Figure 90. MFR_SPECIFIC_11 (VBOOT) Register

7	6	5	4	3	2	1	0
VBOOT							
R/W							

Table 63. MFR_SPECIFIC_11 (VBOOT) Register Field Descriptions

Bit	Field	Type	Reset	NVM	Description
7:0	VBOOT	R/W		Yes	Set the boot voltage according to the selected VID table.

7.6.2.3.56 MFR_SPECIFIC_12 (Switching Frequency and TRISE) (DCh)

Format	N/A
Description	The MFR_SPECIFIC_12 command sets the switching frequency and the soft start rise slew rate. The settings can override the default setting from the F-IMAX.
Default	Pin strap: F-IMAX pin NVM: 20h

Figure 91. MFR_SPECIFIC_12 (Switching Frequency and TRISE) Register

7	6	5	4	3	2	1	0
FSW			Reserved			TRISE	
R/W			R-0			R/W	

Table 64. MFR_SPECIFIC_12 (Switching Frequency and TRISE) Register Field Descriptions

Bit	Field	Type	Reset	NVM	Description
7:4	FSW	R/W		Yes	Switching Frequency 0000: 300 kHz 0001: 400 kHz 0010: 500 kHz 0011: 600 kHz 0100: 700 kHz 0101: 800 kHz 0110: 900 kHz 0111: 1000 kHz 1000: 350 kHz 1001: 450 kHz 1010: 550 kHz 1011: 650 kHz 1100: 750 kHz 1101: 850 kHz 1110: 950 kHz 1111: 1000 kHz
3:2	Reserved	R	0	—	Always set to 0.
1:0	TRISE	R/W		Yes	Soft start rise slew rate in terms of VOUT slew rate 00: 1 01: 1/2 10: 1/4 11: 1/8

7.6.2.3.57 MFR_SPECIFIC_13 (Slew Rate and Other Operation Modes) (DDh)

Format	N/A
Description	The MFR_SPECIFIC_13 command sets the slew rates and the operation modes. The settings can override the default setting from the SLEW-MODE pin.
Default	Pin strap: SLEW-MODE pin NVM: 89h

Figure 92. MFR_SPECIFIC_13 (Slew Rate and Other Operation Modes) Register

7	6	5	4	3	2	1	0
VR12_MODE	PI_SET	Reserved	DPS_EN	ZLL_SET	SLEW		
R/W	R/W	R/W	R/W	R/W	R/W		

Table 65. MFR_SPECIFIC_13 (Slew Rate and Other Operation Modes) Register Field Descriptions

Bit	Field	Type	Reset	NVM	Description
7	VR12_MODE	R/W		Yes	VR12 Mode 0: VR12.5. 1: VR12.0.
6	PI_SET	R/W		Yes	Phase Interleaving 0: 4 phase interleaving individually. 1: 1/3 and 2/4 two phase interleaving
5	Reserved	R/W		Yes	Not used, write or read has no effect
4	DPS_EN	R/W		Yes	Dynamic Phase Shedding Enable 0: Disable dynamic phase shedding. 1: Enable dynamic phase shedding.
3	ZLL_SET	R/W		Yes	Load Line 0: Non-zero load line 1: Zero load line
2:0	SLEW	R/W		Yes	Slew Rate 000: 0.34 mV/μs 001: 0.68 mV/μs 010: 1.02 mV/μs 011: 1.36 mV/μs 100: 1.7 mV/μs 101: 2.04 mV/μs 110: 2.38 mV/μs 111: 2.74 mV/μs

7.6.2.3.58 MFR_SPECIFIC_14 (Ramp Height) (DEh)

Format	N/A
Description	The MFR_SPECIFIC_14 command sets the ramp amplitude for compensations. The settings can override the default setting from the OCL-R pin.
Default	Pin strap: OCL-R pin NVM: 06h

Figure 93. MFR_SPECIFIC_14 Register

7	6	5	4	3	2	1	0
Reserved					RAMP		
R-0000 0					R/W		

Table 66. MFR_SPECIFIC_14 Register Field Descriptions

Bit	Field	Type	Reset	NVM	Description
7:3	Reserved	R	0	—	Always set to 0.
2:0	RAMP	R/W		Yes	Ramp Amplitude 000: 20 mV _{PP} 001: 40 mV _{PP} 010: 60 mV _{PP} 011: 80 mV _{PP} 100: 100 mV _{PP} 101: 120 mV _{PP} 110: 150 mV _{PP} 111: 200 mV _{PP}

7.6.2.3.59 MFR_SPECIFIC_15 (Dynamic Phase Shedding Thresholds) (DFh)

Format	N/A
Description	The MFR_SPECIFIC_15 command sets the threshold for the dynamic phase shedding. Use 4 x overcurrent limit (OCL) as 100% load condition
Default	NVM: 01h

Figure 94. MFR_SPECIFIC_15 (Dynamic Phase Shedding Thresholds) Register

7	6	5	4	3	2	1	0
Reserved				DPS_TH_LOW	DPS_TH_HIGH		
R-0000				R/W	R/W		

Table 67. MFR_SPECIFIC_15 (Dynamic Phase Shedding Thresholds) Register Field Descriptions

Bit	Field	Type	Reset	NVM	Description
7:4	Reserved	R	0000	—	Always set to 0.
3	DPS_TH_LOW	R/W		Yes	Switch from 2 Phase to 1 Phase Operation 0: Disable decreasing to 1 phase operation. 1: 10% load.
2:0	DPS_TH_HIGH	R/W		Yes	Switch from 4 Phase to 2 Phase Operation 000: 15% load. 001: 20% load. 010: 25% load. 011: 30% load. Others: 35% load.

7.6.2.3.60 MFR_SPECIFIC_16 (VIN UVLO) (E0h)

Format	N/A
Description	The MFR_SPECIFIC_16 command sets the threshold for the VIN Undervoltage Lockout (UVLO).
Default	NVM: 01h

Figure 95. MFR_SPECIFIC_16 (VIN UVLO) Register

7	6	5	4	3	2	1	0
Reserved						VIN_UVLO	
R-00 0000						R/W	

Table 68. MFR_SPECIFIC_16 (VIN UVLO) Register Field Descriptions

Bit	Field	Type	Reset	NVM	Description
7:2	Reserved	R	00 0000	—	Always set to 0.
1:0	VIN_UVLO	R/W	01	Yes	Input Voltage UVLO 00: 4.5 V 01: 7.25 V 10: 9.0 V 11: 10.3 V

7.6.2.3.61 MFR_SPECIFIC_20 (Maximum Operational Phase Number) (E4h)

Format	N/A
Description	The MFR_SPECIFIC_20 command sets the maximum operational phase numbers on-the-fly. If the maximum operational phase number is set higher than the available phase numbers specified by hardware, then the operational phase number remains unchanged, and the STAUTS_MFR_SPECIFIC<3> is set while asserting PMB_ALERT.
Default	Hardware Specific

Figure 96. MFR_SPECIFIC_20 (Maximum Operational Phase Number) Register

7	6	5	4	3	2	1	0
Reserved					PHASE_NUM		
R-0 0000					R/W		

Table 69. MFR_SPECIFIC_20 (Maximum Operational Phase Number) Register Field Descriptions

Bit	Field	Type	Reset	NVM	Description
7:3	Reserved	R	0 0000	—	Always set to 0.
2:0	PHASE_NUM	R/W		—	Phase Number 000: 1-phase operation. 001: 2-phase operation. 010: 3-phase operation. 011: 4-phase operation. 100: 5-phase operation. 101: 6-phase operation. Others:

7.6.2.3.62 MFR_SPECIFIC_22 (VOUT_UV_FAULT_threshold) (E6h)

Format	N/A
Description	The MFR_SPECIFIC_22 command sets the value of VOUT undervoltage threshold. UVP threshold = VOUT_COMMAND - Load Line * Iout - VOUT_UVF_OFFSET
Default	NVM: 03h

Figure 97. MFR_SPECIFIC_22 (VOUT_UV_FAULT_threshold) Register

7	6	5	4	3	2	1	0
Reserved					VOUT_UVF_THRESHOLD		
R-0 0000					R/W		

Table 70. MFR_SPECIFIC_22 (VOUT_UV_FAULT_threshold) Register Field Descriptions

Bit	Field	Type	Reset	NVM	Description
7:3	Reserved	R	0 0000	—	Always set to 0.
2:0	VOUT_UVF_OFFSET	R/W		Yes	VOUT UVF threshold 000: 50 mV 001: 100 mV 010: 150 mV 011: 200 mV 100: 250 mV 101: 300 mV 110: 325 mV 111: 400 mV

7.6.2.3.63 MFR_SPECIFIC_44 (DEVICE_CODE) (FCh)
Format
Description The MFR_SPECIFIC_44 command reads back the DEVICE_CODE information.

Default $\sim 01F0h$ $\sim 01F0h$
Figure 98. MFR_SPECIFIC_44 (DEVICE_CODE) Register

15	14	13	12	11	10	9	8
DEVICE_CODE							
R-0000 0001							
7	6	5	4	3	2	1	0
DEVICE_CODE							
R-1111 0000							

Table 71. MFR_SPECIFIC_44 (DEVICE_CODE) Register Field Descriptions

Bit	Field	Type	Reset	NVM	Description
15:0	DEVICE_CODE	R	0000 0001 1111 0000	—	Device Code

8 Application and Implementation

8.1 Application Information

The TPS53647 device has a very simple design procedure. Please contact your local Texas Instruments representative to get a copy of our excel-based design tool spreadsheet. This design describes a typical 4-phase, 1 V, 120 A output application with pinstrap mode.

8.2 Typical Application

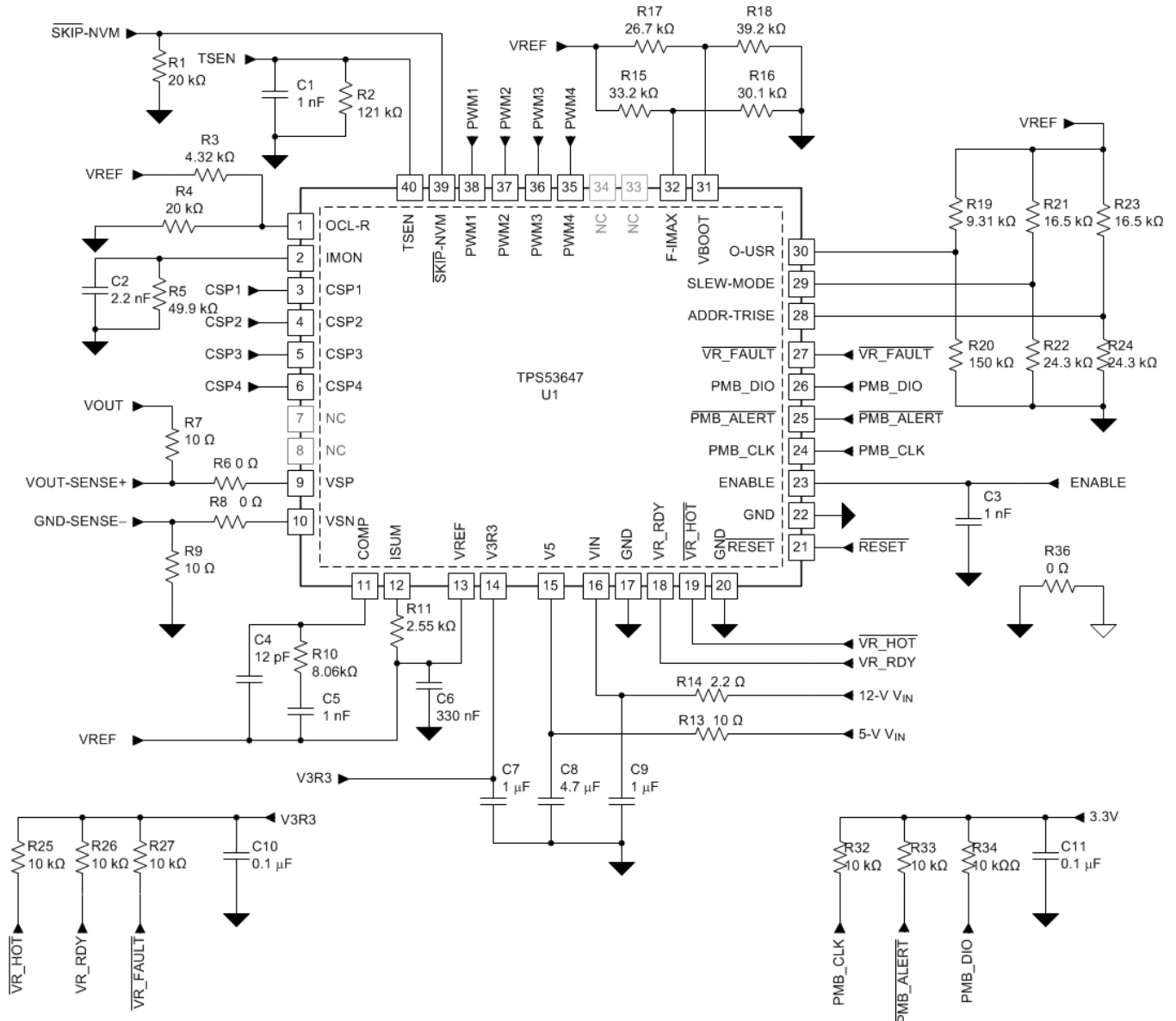


Figure 99. Controller Schematic for a 4-Phase, 1 V, 120 A Application

Typical Application (continued)

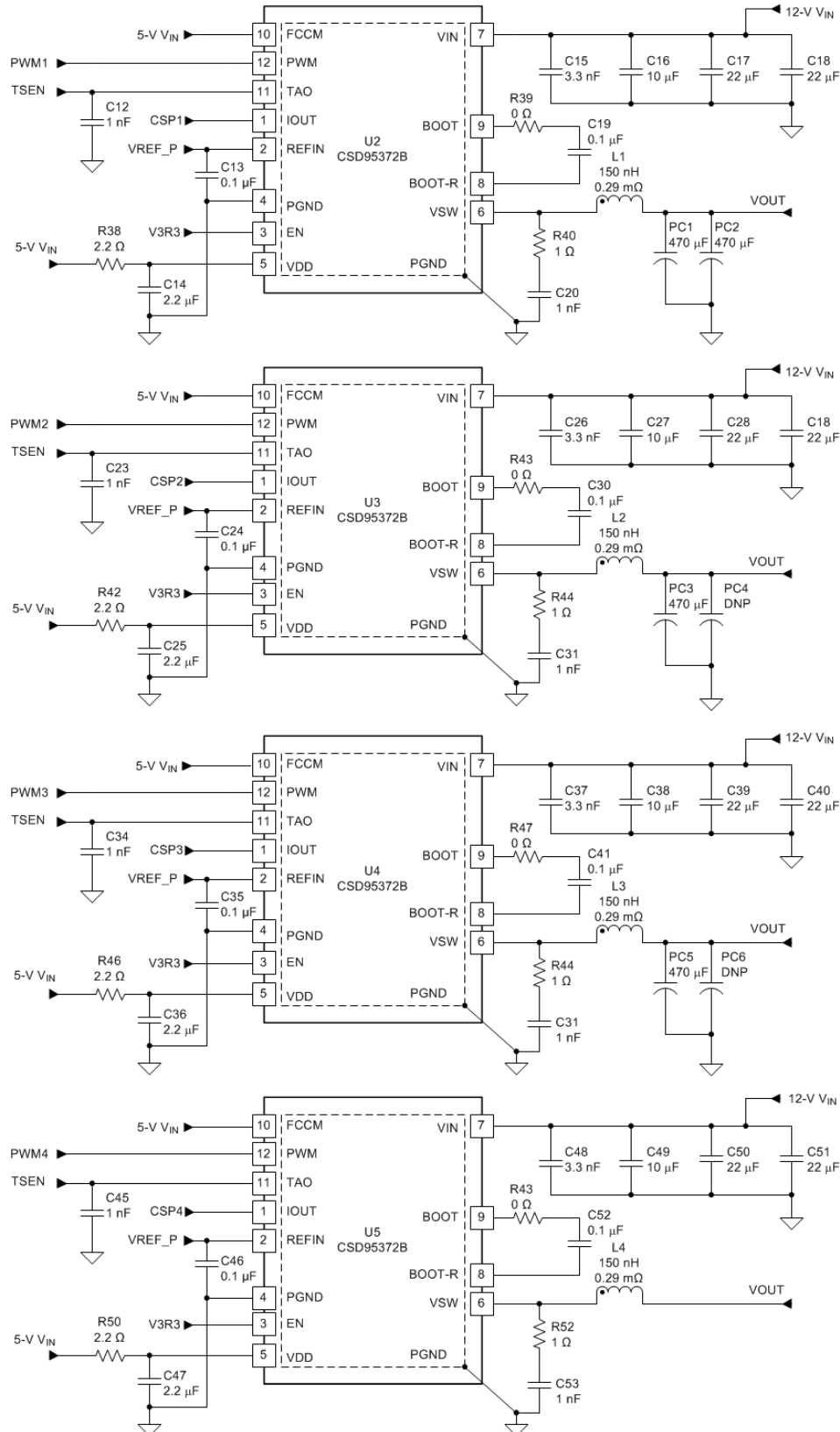


Figure 100. Power Stage Schematic for a 4-Phase, 1V/120A Application

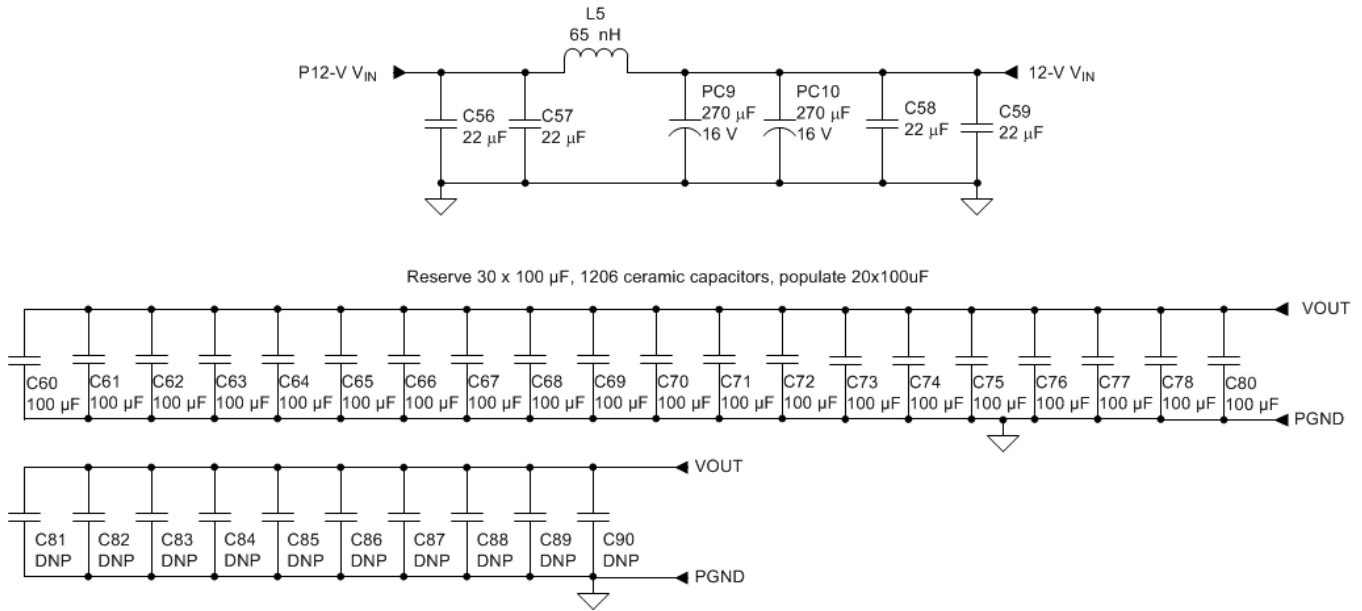


Figure 101. Input and Output Filter for a 4-Phase, 1 V, 120 A Application

8.2.1 Design Requirements

- 4-phase, 1 V, 120 A output
- Number of phases: 4
- Input Voltage 10.8 V – 13.2 V
- I_{max} : 120 A
- Load-line: Zero Load Line
- Boot voltage, V_{BOOT} : 1.0 V
- PMBus Address: 1110001 (bin)

8.2.2 Detailed Design Procedure

For this design, complete the following steps:

1. [Select Switching Frequency](#)
2. [Set the Maximum Output Current](#)
3. [Select the Soft-Start Slew Rate](#)
4. [Select the Operation Mode](#)
5. [Choose Inductor](#)
6. [Select the Per-Phase Valley Current Limit and Ramp Level](#)
7. [Set the Load Line](#)
8. [Set the BOOT Voltage](#)
9. [Set OSR/USR Thresholds for Improving Load Transient Performance](#)
10. [Determine Digital Current Monitor \(IMON\) Gain and Filter Setting](#)
11. [Adjust Compensation Design](#)
12. [Set the PMBus Addresses](#)
13. [Program the Device with the PMBus](#)

8.2.2.1 Select the Switching Frequency

The value of a resistor (R_F) between the F-IMAX pin and GND selects the switching frequency. The frequency is an approximate frequency and is expected to vary based on load and input voltage.

Table 72. Frequency Selection Table

SELECTION RESISTOR (R_F) VALUE (k Ω)	OPERATING FREQUENCY (f_{sw}) (kHz)
20	300
24	400
30	500
39	600
56	700
75	800
100	900
150	1000

For this design, choose 500 kHz for the switching frequency. So, $R_F = 30\text{ k}\Omega$.

8.2.2.2 Set the Maximum Output Current (I_{MAX})

The voltage on the F-IMAX pin sets the maximum output current from the value of the resistors connected from the VREF pin to the F-IMAX pin (R_{IMAX}). Equation 7 shows the maximum output current calculation.

NOTE

The default total overcurrent threshold is 125% of I_{MAX}

$$I_{MAX} = 255 \times \frac{R_F}{(R_F + R_{IMAX})} \quad (7)$$

Use Equation 8 to calculate R_{IMAX} .

$$R_{IMAX} = \frac{R_F \times (255 - I_{MAX})}{I_{MAX}} \quad (8)$$

From Table 72, $R_F = 30 \text{ k}\Omega$. Selecting the closest *standard* resistor value, $R_{IMAX} = 33.2 \text{ k}\Omega$

NOTE

The tolerance of the R_F and R_{IMAX} resistors affect I_{IMAX} value. If the design requires an accurate I_{IMAX} is needed, select an R_F and an R_{IMAX} value with tight tolerance (0.5% or 0.1%).

8.2.2.3 Select the Soft-Start Slew Rate

To select the soft-start slew rate, the first step is to select the output voltage change slew rate. The resistor (R_{SLEW}) (connected between the SLEW-MODE pin and GND) sets the output voltage change slew rate when using VOUT_COMMAND. Table 73 show a summary of these settings. For a minimum 0.68-mV/ μ s slew rate, the resistor $R_{SLEW} = 24.3 \text{ k}\Omega$.

Table 73. Vout Change Slew Rate Selection

SELECTION RESISTOR $R_{SLEW} \text{ (k}\Omega\text{)}$	MINIMUM SLEW RATE $\text{(mV}/\mu\text{s)}$
20	0.34
24	0.68
30	1.02
39	1.36
56	1.7
75	2.04
100	2.38
150	2.74

After determining the V_{OUT} change slew rate, select the ratio of soft-start rate versus V_{OUT} change slew rate. Select a value for resistor R_{ADDR} (the resistor between ADDR_TRISE pin and GND) to configure this ratio.

Table 74. Soft-Start Slew Rate Selection

SELECTION RESISTOR $R_{ADDR} \text{ (k}\Omega\text{)}$	MINIMUM SLEW RATE $\text{(mV}/\mu\text{s)}$
20 or 24	1
30 or 39	1/2
56 or 75	1/4
100 or 150	1/8

In this design, the soft-start slew rate is the same as V_{out} change slew rate. So $R_{ADDR}=20k$ or $24k$ is selected. The LSB of BOOT voltage VID determines the value of R_{ADDR} as described in [Set the BOOT Voltage](#). If slower soft start is desired, higher R_{ADDR} can be used to set soft-start slew rate to be 1/2, 1/4 or 1/8 of output voltage change slew rate.

8.2.2.4 Select the Operation Mode

The resistor (R_{MODE}) is connected between the VREF pin and the SLEW-MODE pin. After selecting the value of R_{SLEW} , set the operation mode by choosing the voltage on the SLEW-MODE pin as summarized in [Table 75](#) and the [Electrical Characteristics](#) table. In this design, VR 12.0 mode is selected with 4-phase interleaving, disabled dynamic phase shedding, and zero load-line. As described in the [Select the Soft-Start Slew Rate](#) section, use the value $R_{SLEW} = 24\text{ k}\Omega$, so $R_{MODE} = 16.5\text{ k}\Omega$ to select the desired operating modes.

Table 75. Operation Mode with Resistor Selection

OPERATION MODES BIT		BIT DESCRIPTION	
Mode bit M_3	MFR_SPEC_13<7>	VR12 _{MODE}	0: VR12.5 (Use VR12.5 VID table)
			1: VR12.0 (Use VR12.0 VID table)
Mode bit M_2	MFR_SPEC_13<6>	PI _{SET}	0: 4 phase interleaving individually
			1: 1/3 and 2/4 phase interleaving
Mode bit M_1	MFR_SPEC_13<4>	DPS _{EN}	0: Disable dynamic phase shedding
			1: Enable dynamic phase shedding
Mode bit M_0	MFR_SPEC_13<3>	ZLL _{SET}	0: Non-zero load-line
			1: Zero load-line

8.2.2.5 Choose Inductor

Smaller inductance values yield better transient performance, but also have a higher ripple and lower efficiency. Higher inductance values have the opposite characteristics. It is common practice to limit the ripple current to between 20% and 50% of the maximum per-phase current. In this design example, 40% of the maximum per-phase current is used.

$$I_{P_P} = \left(\frac{I_{MAX}}{n} \right) \times \%V_{RIPPLE} = \left(\frac{120}{4} \right) \times 0.4 = 12\text{ A} \quad (9)$$

$$L = \frac{V \times dT}{I_{P_P}} = \frac{(V_{IN(max)} - V_{OUT}) \times \frac{V_{OUT}}{(f_{SW} \times V_{IN(max)})}}{I_{P_P}} = 154\text{ nH} \quad (10)$$

The inductor with a value of 150 nH and saturation current of $I_{SAT} = 61\text{ A}$ at 100°C is selected for this application. This saturation current level can be used to determine the OCL level. So the I_{OCL} is selected to be 48 A to use in the OCL resistor calculation in [Equation 11](#).

$$I_{OCL} = I_{SAT} - I_{P_P(actual)} = 61 - 12.32 = 48.68\text{ A} \quad (11)$$

8.2.2.6 Select the Per-Phase Valley Current Limit And Ramp Level

The per-phase, valley current limit is selected by the resistor (R_{OCL}) from OCL-R pin to GND as shown in [Table 76](#). The RAMP is set by the voltage on OCL_R pin with resistor (R_{RAMP}) from OCL_R pin to VREF. The current limit is selected so that the output current OCL is higher than the maximum per-phase current to allow sufficient room for current increase during load transient while the peak inductor current is still lower saturation current level.

Table 76. Per-Phase Valley Current Limit vs Resistor Selection

$V_{OCL}(V)$	$R_{OCL-R} (k\Omega)$	PER-PHASE VALLEY CURRENT LIMIT (A)
≤ 0.85	20	24
	24	27
	30	30
	39	33
	56	36
	75	39
	100	42
	150	45
≥ 0.95	20	48
	24	51
	30	54
	39	57
	56	60
	75	63
	100	66
	150	69

Table 77. Ramp Level vs OCL_R Pin Voltage Selection

$V_{OCL-R} (V)$	RAMP LEVEL (mV _{p-p})
0.2 \pm 50 mV or 1.0 \pm 50 mV	40
0.4 \pm 50 mV or 1.2 \pm 50 mV	80
0.6 \pm50 mV or 1.4 \pm50 mV	150
0.8 \pm 50mV or 1.6 \pm 50mV	200

In this design example, a 48-A valley current limit is selected, so R_{OCL} is chosen as 20 k Ω .

In this example, a ramp voltage of 150 mV is chosen. The user may chose a lower ramp value to improve transient performance if jitter performance is less of a concern. This value depends on the board layout and individual layout requirements.

Table 76 notes that V_{OCL} must be ≥ 1.0 V. Table 77 shows that for a 150- mV ramp, V_{OCL} must be 1.4 V, therefore the value of the resistor placed between the OCL-R pin and the VREF pin (R_{OCL-R}) should be 4.32 k Ω .

8.2.2.7 Set the Load-Line

The load-line is set by the resistor, R_{ISUM} , from ISUM pin to VREF. Please note a 0 Ω resistor will be used since load line setting is not required for this design example.

The below procedure is provided for applications when a 1.05 m Ω load line is needed.

$$R_{ISUM} = R_{LL} \times \frac{1}{g_{M(isum)} \times R_{CS} \times A_{CS}} = 1.05m\Omega \times \frac{1}{0.5mS \times 5m\Omega \times \frac{1}{6}} = 2.52k\Omega$$

where

- R_{LL} is the desired load-line
- $g_{M(isum)}$ is the ISUM amplifier transconductance
- R_{CS} is the current-sensing gain from the CSD95372B
- A_{CS} is the internal gain

(12)

Because the sensed current from the CSD95372B device is temperature-compensated, a NTC network is not required to achieve a simple application circuit.

8.2.2.8 Set the BOOT Voltage

The resistor, R_{BOOT} , placed between the VBOOT pin and GND as shown in [Table 78](#) sets bit 3, 2, and 1 of the VID of the BOOT voltage. The voltage on VBOOT pin sets bit 7, 6, 5, 4 of the VID of the BOOT voltage. The resistor between the ADDR_TRISE pin and GND sets bit 0 of VID of the BOOT voltage. The BOOT voltage selection also depends on the operation mode selected in the [Select the Operation Mode](#) section. In this design example, 1.0 V is selected as the BOOT voltage in VR12.0 mode, and the VID is 1001 0111, so the $R_{BOOT} = 39$ k Ω , $V_{VBOOT} = 1.009$ V, $R_{ADDR} = 24$ k Ω .

Table 78. Boot Voltage VID Selection (Step 1)

R_{BOOT} (k Ω)	BOOT VOLTAGE VID
	$B_3B_2B_1$
20	000
24	001
30	010
39	011
56	100
75	101
100	110
150	111

Table 79. Boot Voltage VID Selection (Step 2)

V_{VBOOT} (V)	BOOT VOLTAGE VID
	$B_7B_6B_5B_4$
$V_{VBOOT} \leq 0.053V \pm 20$ mV	0000
$V_{VBOOT} = 0.159V \pm 20$ mV	0001
$V_{VBOOT} = 0.226V \pm 20$ mV	0010
$V_{VBOOT} = 0.372V \pm 20$ mV	0011
$V_{VBOOT} = 0.478V \pm 20$ mV	0100
$V_{VBOOT} = 0.584V \pm 20$ mV	0101
$V_{VBOOT} = 0.691V \pm 20$ mV	0110
$V_{VBOOT} = 0.797V \pm 20$ mV	0111
$V_{VBOOT} = 0.903V \pm 20$ mV	1000
$V_{VBOOT} = 1.009V \pm 20$ mV	1001
$V_{VBOOT} = 1.116V \pm 20$ mV	1010
$V_{VBOOT} = 1.222V \pm 20$ mV	1011
$V_{VBOOT} = 1.328V \pm 20$ mV	1100
$V_{VBOOT} = 1.434V \pm 20$ mV	1101
$V_{VBOOT} = 1.541V \pm 20$ mV	1110
$V_{VBOOT} = 1.615V \pm 10$ mV	1111

Table 80. Boot Voltage VID Selection (Step 3)

R_{ADDR} (k Ω)	BOOT VOLTAGE VID
	B_0
20 or 30 or 56 or 100	0
24 or 39 or 75 or 150	1

8.2.2.9 Set OSR/USR Thresholds to Improve Load Transient Performance

The resistor, R_{OSR} connected between the O-USR pin and GND as shown in [Table 81](#) sets the overshoot reduction (OSR) threshold.

Table 81. OSR Threshold vs Resistor Selection

R_{O-USR} (k Ω)	OSR THRESHOLD (mV)
20	30
24	40
30	60
39	80
56	100
75	120
100	140
150	OFF

The required OSR setting is based on the load-transient performance and the amount of the actual output capacitance. The suggested method is to start with OSR OFF and perform the load transient per the application requirement. If the overshoot can meet the specification with the chosen output capacitance, then the OSR can be kept OFF. So the resistor R_{OSR} can be selected as 150 k Ω . Otherwise the OSR threshold can be lowered by choosing a lower setting from the [Table 81](#) to reduce the overshoot to meet the specifications.

Once R_{OSR} is selected, the Undershoot Reduction (USR) threshold is set by the voltage on the O-USR pin with the resistor, R_{USR} , from the O-USR pin to VREF as shown in [Table 82](#).

Table 82. USR Threshold vs Voltage Selection

V_{O-USR} (V)	USR THRESHOLD (mV)
$V_{O-USR} \leq 0.3$	20
$0.35 \leq V_{O-USR} \leq 0.45$	30
$0.55 \leq V_{O-USR} \leq 0.65$	60
$0.75 \leq V_{O-USR} \leq 0.85$	80
$0.95 \leq V_{O-USR} \leq 1.05$	100
$1.15 \leq V_{O-USR} \leq 1.25$	120
$1.35 \leq V_{O-USR} \leq 1.45$	140
$1.55 \leq V_{O-USR} \leq 1.6$	OFF

The design procedure for the USR threshold is similar to the OSR setting. The initial setting of the USR threshold is to start with USR OFF, and then perform the load transient test. If the undershoot can meet the requirement, the USR setting can remain OFF. In this design the USR setting is OFF.

8.2.2.10 Digital Current Monitor (IMON) Gain and Filter Setting

To correctly monitor digital current values, the gain of the analog current monitor should be determined by setting the IMON voltage to 0.85 V for maximum output current I_{MAX} . When PMBus host sends the READ_IOUT command, the current information is reported.

R_{IMON} can be determined by using Equation 13

$$R_{IMON} = \frac{0.85 \text{ V}}{I_{MAX} \times R_{CS} \times SF} = \frac{0.85 \text{ V}}{120 \text{ A} \times 5 \text{ m}\Omega \times \left(\frac{1}{35 \text{ k}\Omega}\right)} = 49.58 \text{ k}\Omega$$

where

- R_{IMON} is the desired impedance on the IMON pin
 - I_{MAX} is the total maximum output current
 - R_{CS} is the current sense gain from CSD95372B
 - SF is the internal current gain scaling factor
- (13)

In this design example, $I_{MAX} = 120 \text{ A}$, so the resistance, R_{IMON} , is calculated as 49.58 k Ω . Use the standard value of 49.99k Ω . A capacitor, C_{IMON} usually connected in parallel with R_{IMON} to provide filtering on the IMON signal. In this design, a C_{IMON} value of 2.2 nF is selected.

8.2.2.11 Compensation Design

A type-II compensator is used with the DCAP+ architecture of TPS53647 as shown in Figure 102. $g_{M(comp)}$ is the COMP amplifier transconductance, which is typically 0.5 mS. R_{COMP} determines the gain and the compensation pole and zero locations. C_{COMPS} determines the compensation zero to increase the phase margin, and C_{COMPP} determines the compensation pole to filter out the high-frequency noise. The actual compensator design needs to be adjusted, based on the experimental test results and the bode plot measurements. In this example, $R_{COMP} = 8.06 \text{ k}\Omega$, $C_{COMPS} = 1 \text{ nF}$, and $C_{COMPP} = 12 \text{ pF}$ to put the compensation zero at 19.7 kHz and the compensator pole at 1.65 MHz.

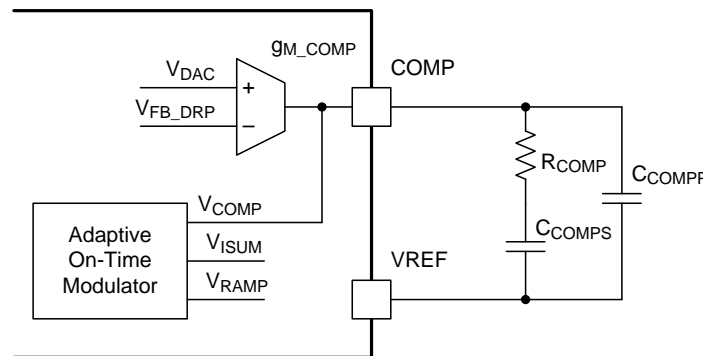


Figure 102. Compensation Circuitry

8.2.2.12 Set PMBus Addresses

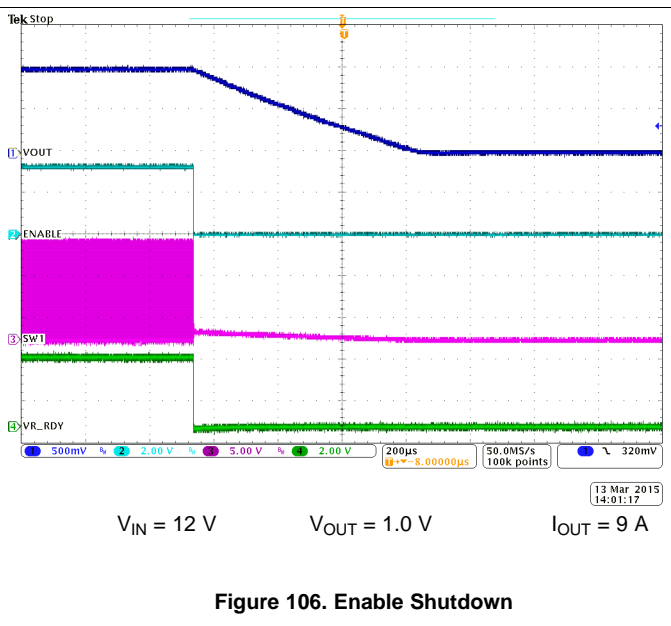
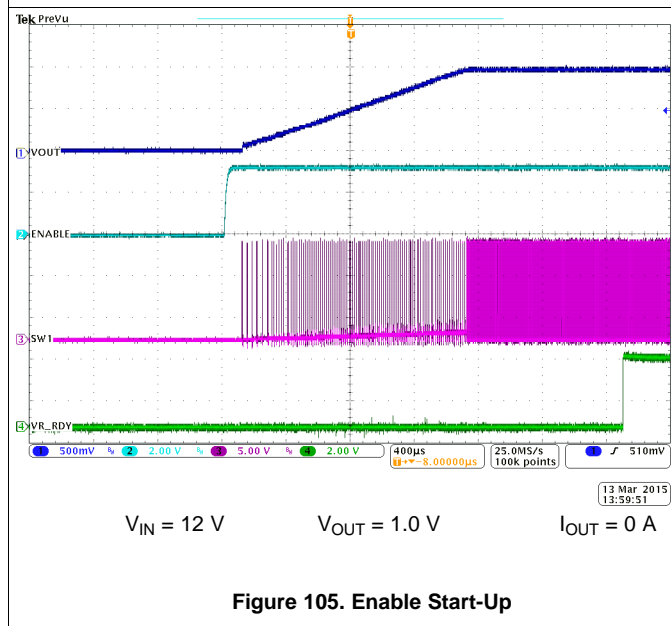
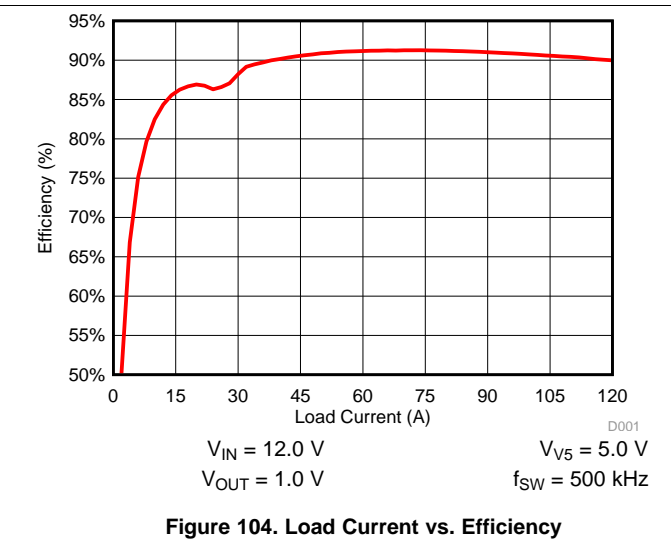
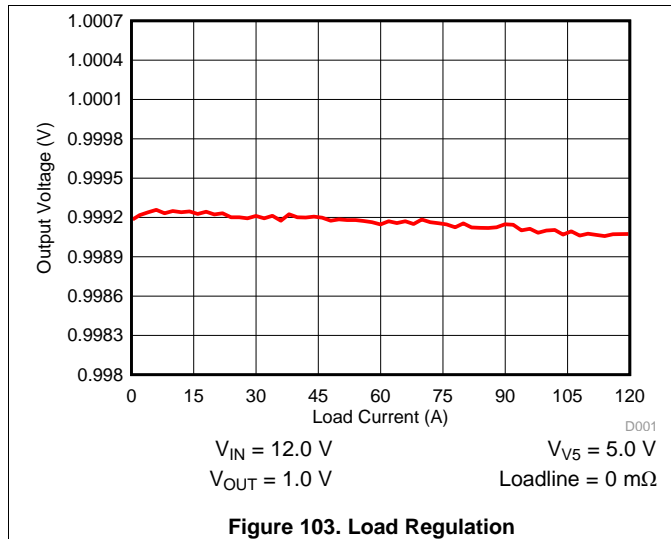
To communicate with system controllers or host with PMBus interfaces, the slave address of the TPS53647 device needs to be set. The voltage on ADDR_TRISE pin sets the PMBus address. Since the resistance of R_{ADDR} is already determined (24 k Ω), The resistance between ADDR_TRISE pin and VREF can be calculated. In this design, PMBUS address of 111 0001 is used. The resistor between ADDR_TRISE and VREF is 16.5 k Ω .

8.2.2.13 Programming the Device with the PMBus

It is optional to use the PMBus interface to program the TPS53647 device since all the settings can be configured externally by using resistors; however, the system controller can override the configurations or can program the device to change the operation modes using the PMBus. The supported PMBus command sets have been introduced in the previous section for the firmware development.

8.2.3 Application Curves

4-Phase, 120-A, full load application



4-Phase, 120-A, full load application

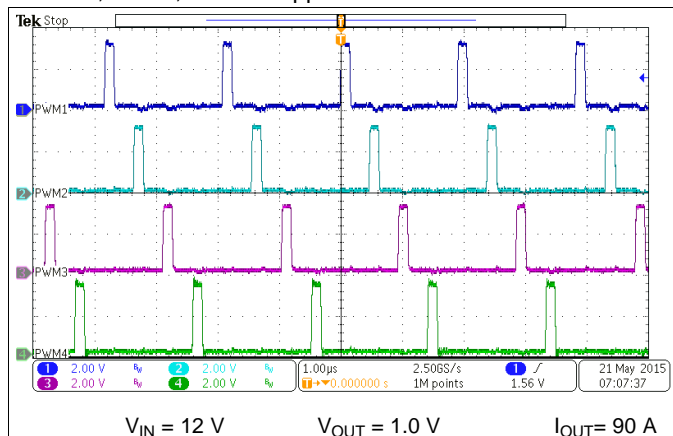


Figure 107. PWM Interleaving

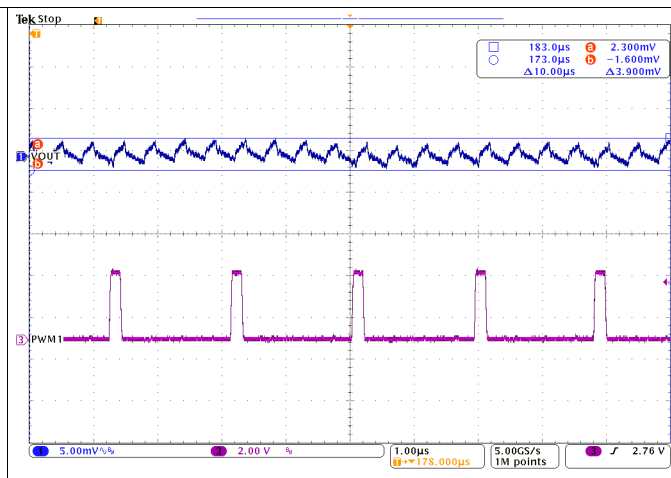


Figure 108. Output Ripple

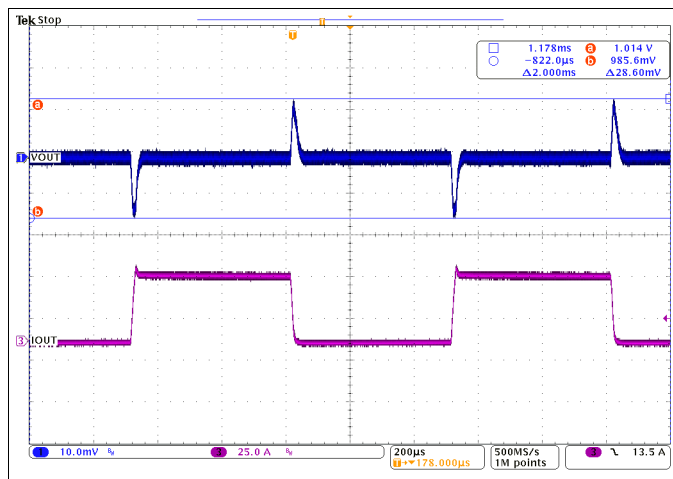


Figure 109. Transient Response

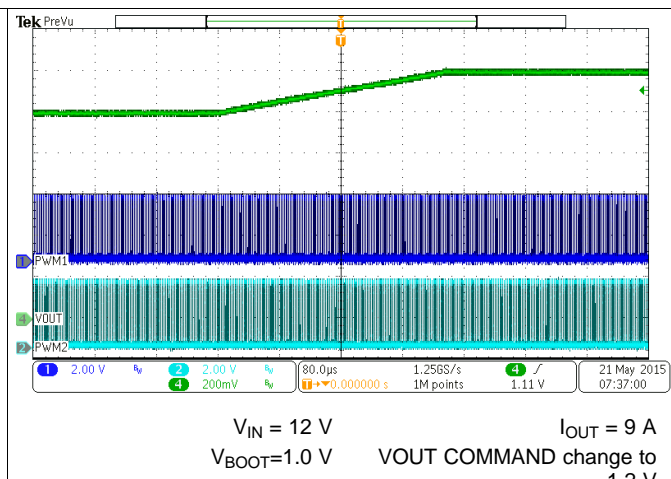


Figure 110. VID Change to 1.2 V

4-Phase, 120-A, full load application

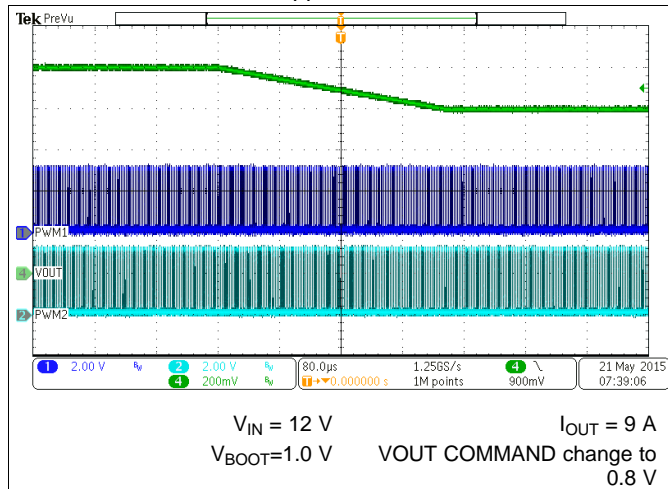


Figure 111. VID Change to 0.8 V

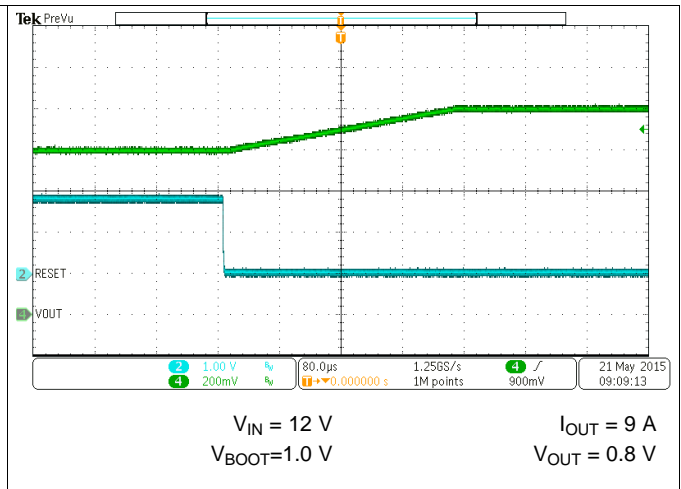


Figure 112. RESET Function ($V_{OUT} = 0.8\text{ V}$)

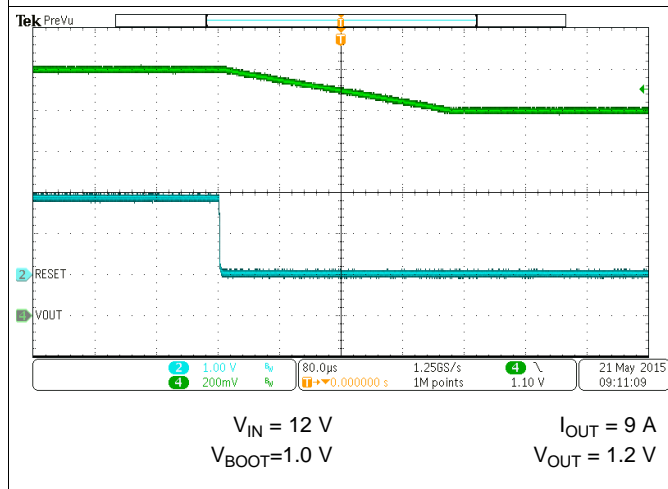


Figure 113. Reset Function ($V_{OUT} = 1.2\text{ V}$)

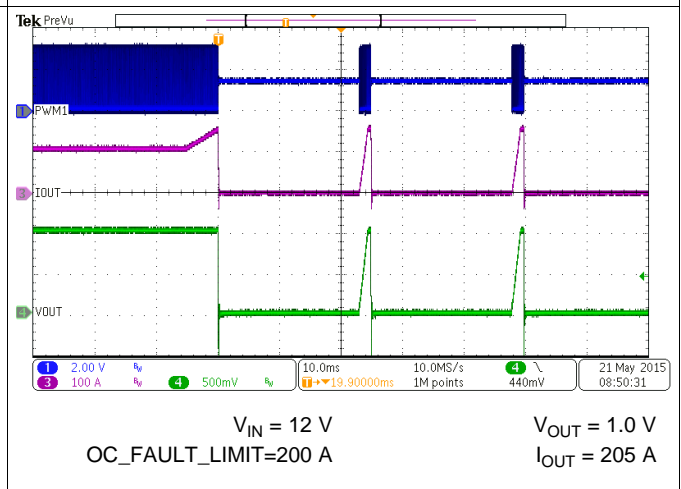


Figure 114. Hiccup mode (OCP)

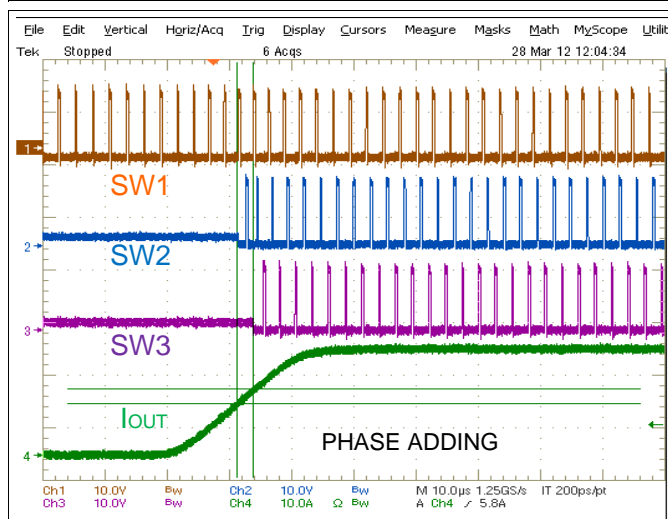


Figure 115. Phase Adding

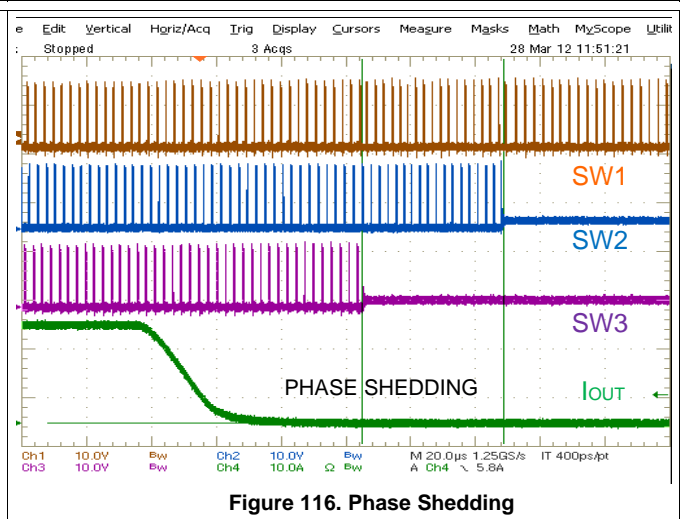
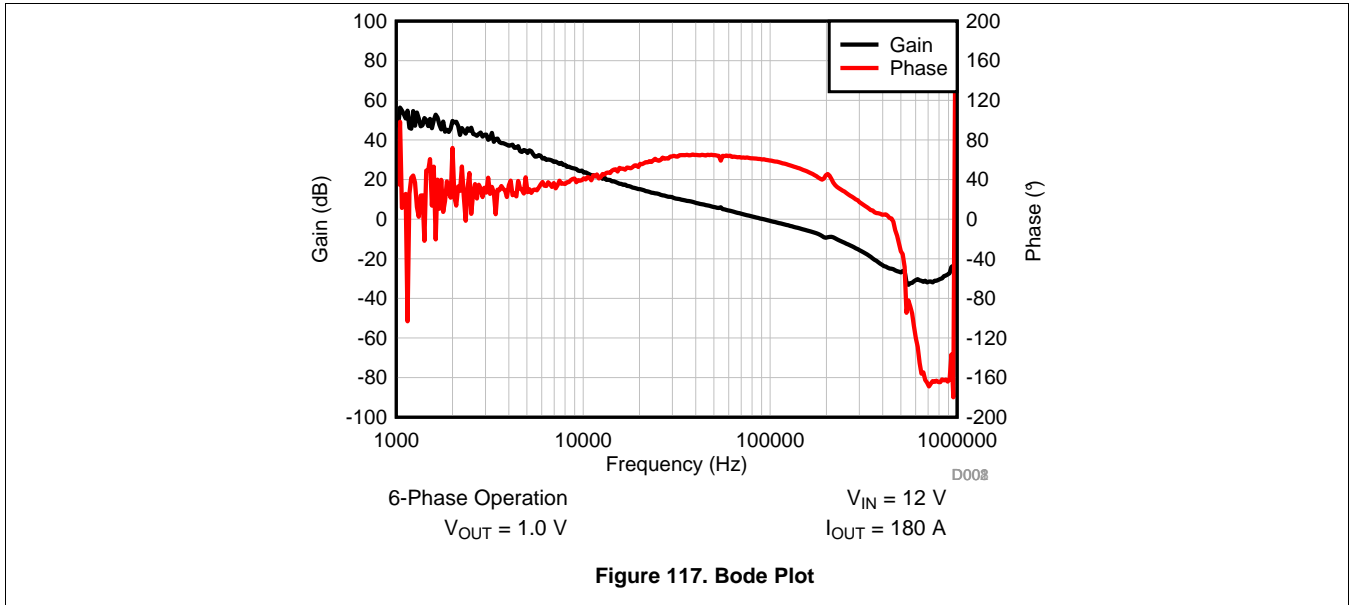


Figure 116. Phase Shedding

4-Phase, 120-A, full load application



9 Power Supply Recommendations

The TPS53647 device operates from a 5-V supply at the V5 pin, and a 12-V supply on the VIN pin. For best results, consider the UVLO range for VIN, V5 pin voltages, use well regulated supplies and use the recommended filter network.

The controller requires 1.2 ms to complete the reading of the pinstrap settings. If the converter is enabled before pinstrap completion, the controller first completes the pinstrap function and then initiated the start-up sequence. After the ENABLE pin voltage goes high, the controller waits for approximately 260 μ s before V_{OUT} begins to ramp up.

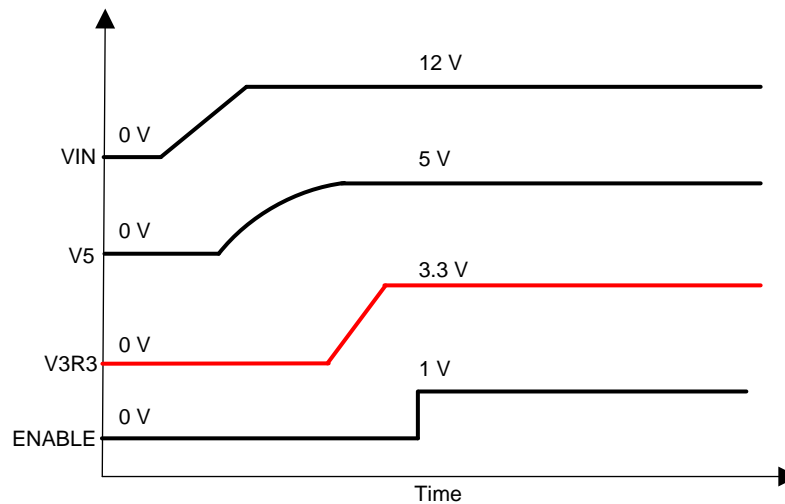


Figure 118. Power Supply Waveforms

10 Layout

10.1 Layout Guidelines

10.1.1 Schematic Review Checklist

- Confirm the pin-out of the controller on schematic to the pin-out of datasheet
- Get a closest TI reference design to check for connection and component values
- Have a component value design tool ready to check component values.
- Carefully confirm the choice of inductor and DCR (see the [Detailed Design Procedure](#) section).
- Carefully confirm the choice of output capacitors (see the [Detailed Design Procedure](#) section).
- Confirm the polarity of the differential pair of voltage sensing (VSP/VSN).
- Confirm the current sensing feedback and reference voltage of TI smart power stages (ex: CSD95372BQ5MC).
- A separated IC ground (analog ground) is recommended but not a must.

10.1.2 PCB Design Guidelines

Most Critical Layout Requirement

Separate noisy driver interface lines from sensitive analog lines.

The TPS53647 device makes this separation easy. The power stage (CSD95372B) is outside of the TPS53647 device. So all gate-drive and switch-node traces must be local to the inductor and the MOSFETs.

10.1.2.1 Layer Stack-up, 8-Layer PCB as example

- Top Layer: VIN, VOUT, power ground and analog ground
- Layer 2: Power ground
- Layer 3: VIN, VREF, VOUT, PWM signals, and current sense signals
- Layer 4: Power ground, analog ground, and VOUT plane
- Layer 5: Power ground, V3R3, and VOUT plane
- Layer 6: V5, VIN and VOUT plane
- Layer 7: Power ground
- Bottom Layer: VIN, VOUT, power ground, analog ground, and feedbacks

Layout Guidelines (continued)

10.1.2.2 Current Sensing Lines

Given the physical layout of most systems, the current feedback (CSPx) may have to pass near the power chain. Clean current feedback is required for good load-line, current sharing, and current limiting performance of the TPS53647, so please take the following precautions:

- Run the current feedback signals in the VREF plane as shown in [Figure 119](#).
- Recommended trace width is 8-10 mil
- The distance of each trace should be larger than 20 mil

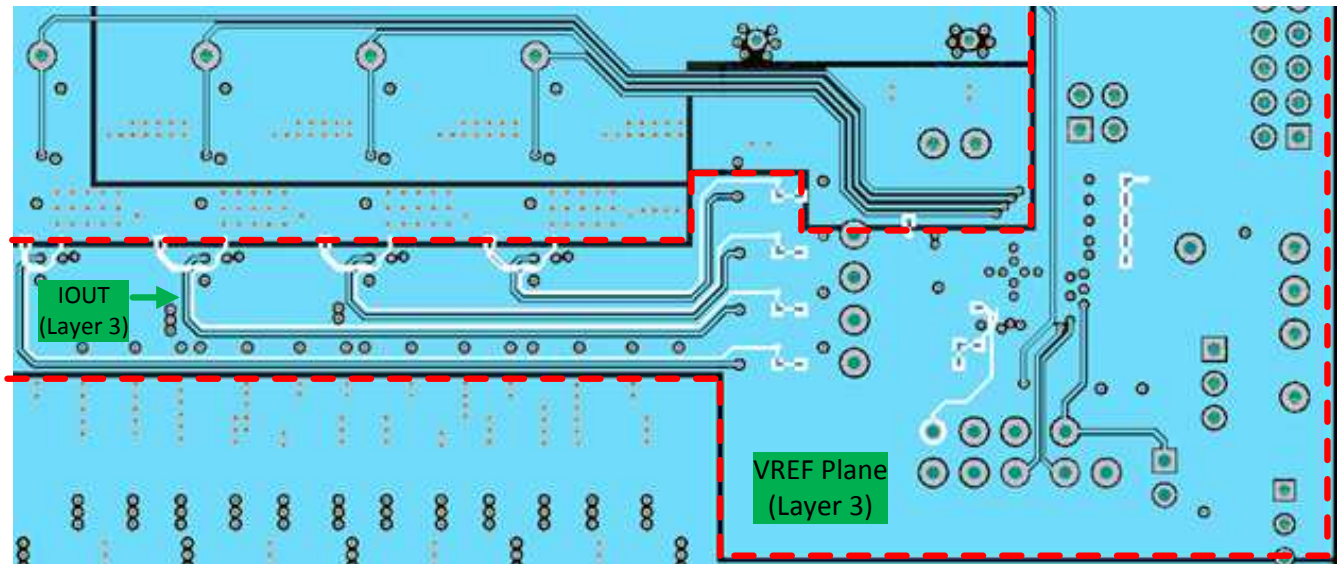


Figure 119. Layout Example of Current Sensing Traces

10.1.2.3 Feedback Voltage Sensing Lines

The voltage feedback coming from the load must be routed as differential pair (distance ≤ 10 mil) all the way to the TPS53647 VSP and VSN pins. Recommended trace width is 8-10 mil. Care should be taken to avoid routing over switch-node traces.

Layout Guidelines (continued)

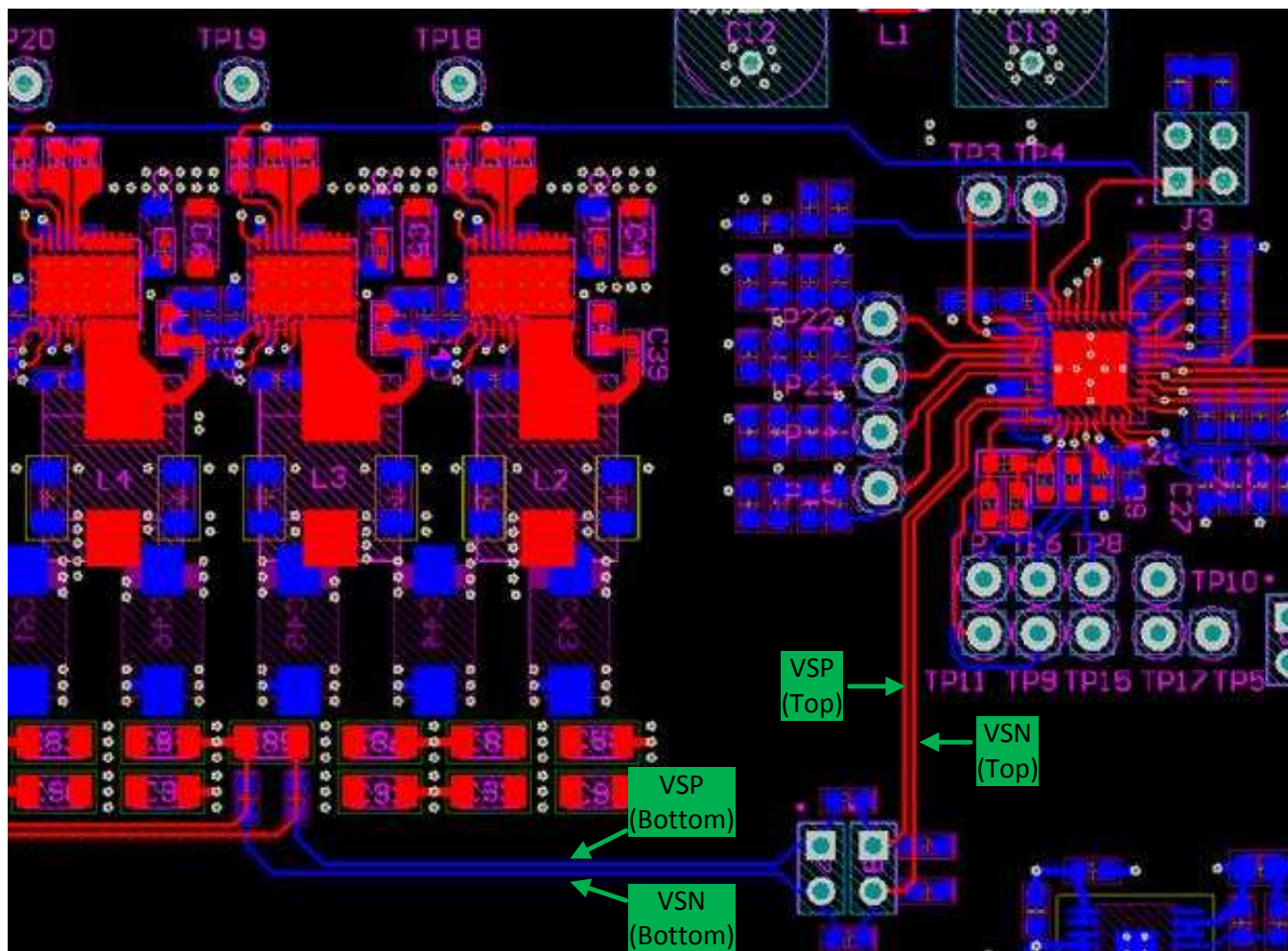


Figure 120. Layout Example for Feedback Voltage Sensing Traces

10.1.2.4 PWM Lines

The PWM lines should be routed from the (TPS53647) device to the power stage (CSD95372B) without crossing any switch-node signals.

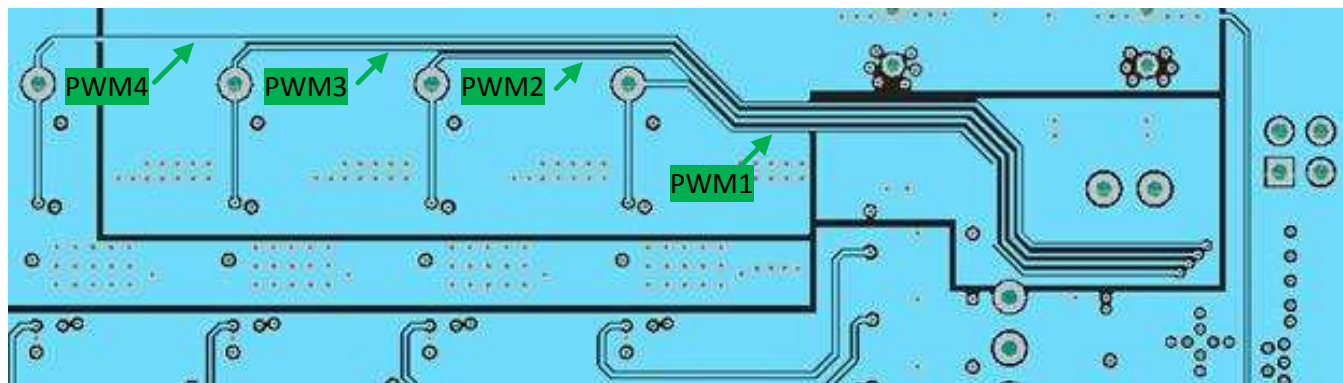


Figure 121. Layout Example for PWM Traces

Layout Guidelines (continued)

10.1.2.5 Power Chain Symmetry

The TPS53647 device does not require special care in the layout of the power chain components. This is because independent isolated current feedback is provided. If it is possible to lay out the phases in a symmetrical manner, then please do so. The rule is: the current feedback from each phase needs to be clean of noise and have the same effective current sense resistance.

Layout Guidelines (continued)

10.1.2.6 Placing Analog Signal Components

Place components close to the TPS53647 device in the following order, as shown in [Figure 122](#):

1. COMP pin and ISUM pin compensation components must be put on the same side of the controller as shown in. Recommended trace width is 8-10 mil.
2. Decoupling capacitors for VREF, V3R3, and V5 must be put on the same side of the controller as shown in. Recommended trace width is 8-10 mil.
 - Decouple VREF to GND with at most 0.47-uF ceramic capacitor.
 - Decouple V3R3 to GND with at least 1-uF ceramic capacitor.
 - Decouple V5 to GND with at least 4.7-uF ceramic capacitor. A 1-Ω resistor between 5V supply voltage and V5 pin is also recommended as a filter.
 - Decouple VIN to GND with at least 1-uF ceramic capacitor. A 1-Ω resistor between 12V supply voltage and VIN pin is also recommended as a filter.
3. OCL-R resistors, F-IMAX resistors, SLEW-MODE resistors, VBOOT resistors, IMON resistor, and O-USR resistors. Recommended trace width is 8-10 mil.

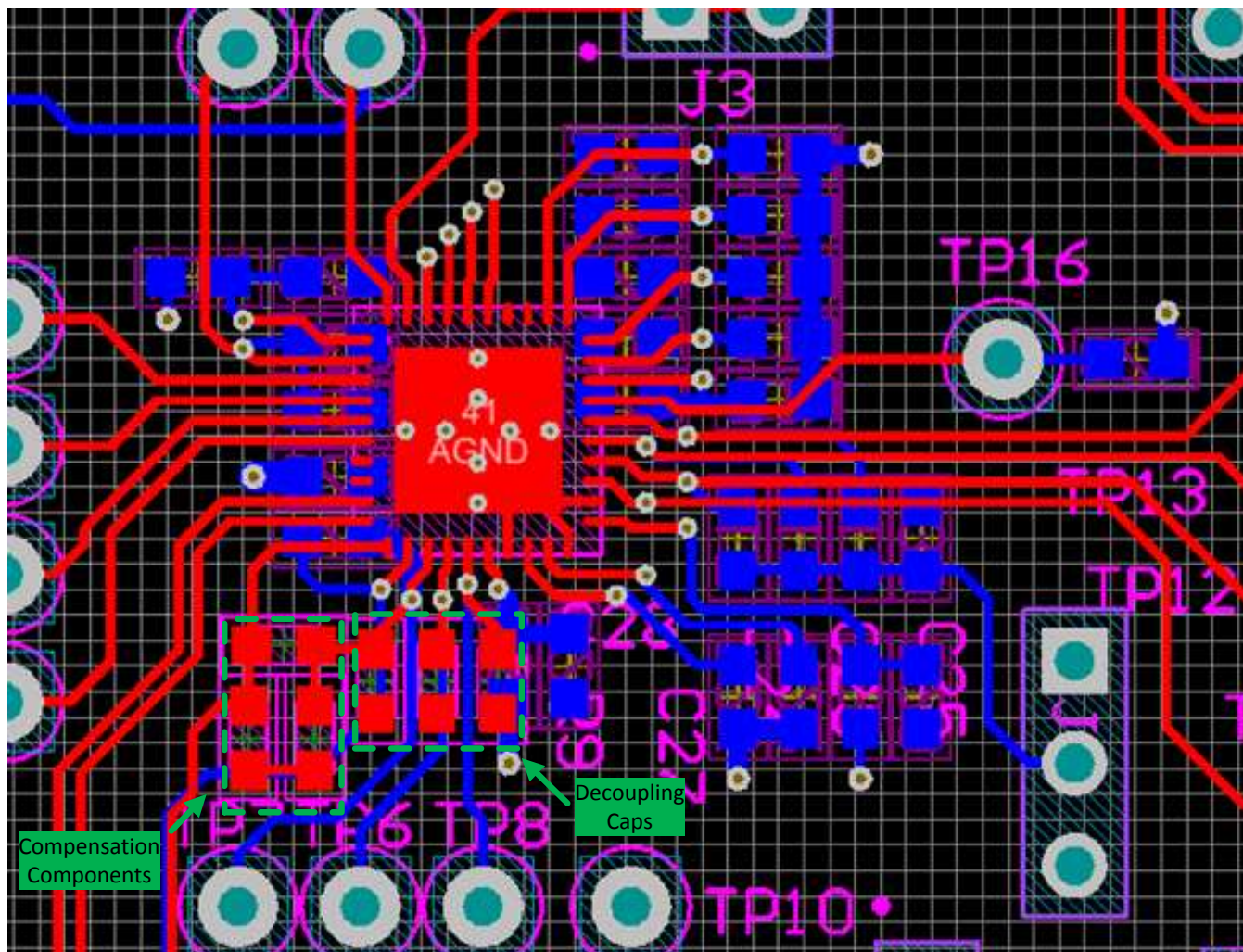


Figure 122. Layout Example of Decoupling Caps and Compensation Components

Layout Guidelines (continued)

10.1.2.7 Grounding Recommendations

The TPS53647 device has a GND pin, and a thermal pad. The normal procedure for connecting these follows:

- The thermal pad does not have an electrical connection to the TPS53647 device. However, it is suggested to be connected to GND pin of the TPS53647 device (analog ground) to give good ground shielding as shown in [Figure 123](#)
- All the analog components should connect to this analog ground island
- Use a single point connection from analog ground to the power ground.
- The return path of the decoupling capacitors (V3R3, V5, VREF, Vin) should be as short as possible.
- When a separated analog ground is used, it's recommended to have an analog ground shape in layer 3 (assuming controller is on the top layer) to interconnect all the analog ground signals.

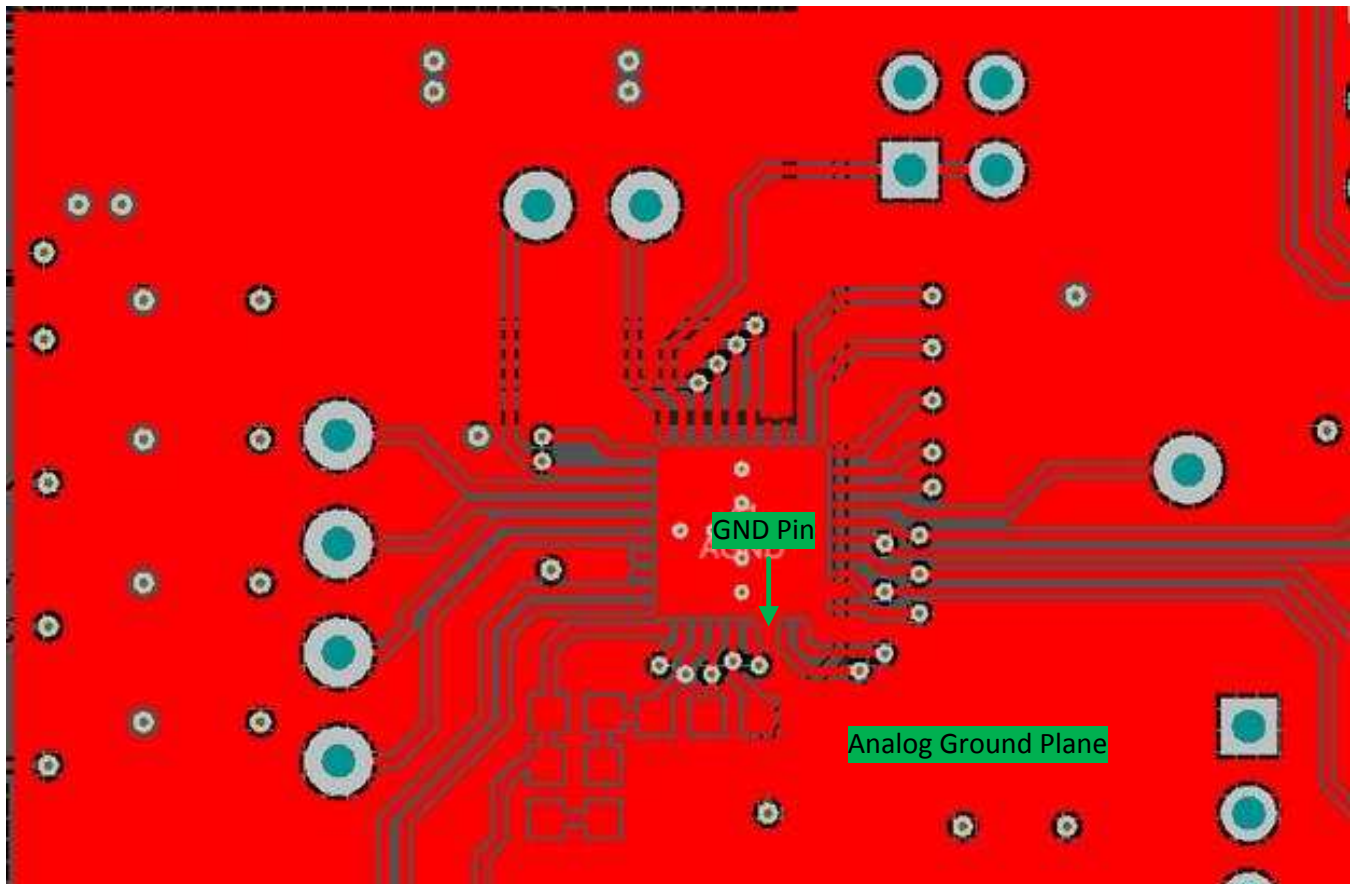


Figure 123. Layout Example for TPS53647 Grounding

Layout Guidelines (continued)

10.1.2.8 TI Smart Power Stage CSD95372BQ5MC

The following layout recommendations refer to the CSD95372BQ5MC. Download the datasheet ([SLPS417](#)) for more details.

10.1.2.8.1 Electrical Performance

The CSD95372BQ5MC has the ability to switch at voltage rates greater than 10 kV/ μ s. Special care must be taken with the PCB layout design and placement of the input capacitors, inductor and output capacitors.

- The placement of the input capacitors relative to VIN and PGND pins of CSD95372BQ5MC device should have the highest priority during the component placement routine. It is critical to minimize these node lengths. As such, place ceramic input capacitors as close as possible to the VIN and PGND pins. The example in uses 1 \times 3300 pF, 0402, 50-V, X7R ceramic capacitor and 3 \times 22 μ F, 1206, 25-V ceramic capacitors (TDK part number C3216X5R1E226M160AB or equivalent). Notice there are ceramic capacitors on both sides of the board with an appropriate amount of vias interconnecting both layers.
- Closely connect the bootstrap capacitor (0.1- μ F, 0603, 25-V ceramic capacitor) between the BOOT and BOOT_R pins.
- The switching node of the output inductor should be placed relatively close to the Power Stage CSD95372BQ5MC VSW pins. Minimizing the VSW node length between these two components reduces the PCB conduction losses and actually reduce the switching noise level.

10.1.2.8.2 Thermal Performance

The CSD95372BQ5MC has the ability to use the GND planes as the primary thermal path. As such, the use of thermal vias is an effective way to pull away heat from the device and into the system board. Concerns of solder voids and manufacturability problems can be addressed by the use of three basic tactics to minimize the amount of solder attach that will wick down the via barrel:

- Intentionally space out the vias from each other to avoid a cluster of holes in a given area.
- Use the smallest drill size allowed in your design. The example in uses vias with a 12 mil drill hole and a 26 mil capture pad.
- Tent the opposite side of the vias with solder-mask.

In the end, the number and drill size of the thermal vias should align with the end user's PCB design rules and manufacturing capabilities.

10.1.2.8.3 Sensing Performance

The thermal sensing output TAO pin must be properly decoupled for accurate reporting. As discussed above, a 1nF 25V X7R ceramic capacitor should be placed between TAO and PGND as close to the TAO pin as practical.

The integrated current sensing technology built into the driver of the CSD95372BQ5MC produces an analog signal that is proportional to the inductor current with a proportionality constant of 5 mV/A. This signal is referenced to the voltage applied to REFIN. For optimal performance of this technology a 0.1 μ F or larger ceramic capacitor should be placed across the REFIN and PGND pins as close as possible to the device.

In addition the IOUT pin should be routed back to the TPS53647 device in a quiet inner layer. If multiple CSD95372BQ5M's are used on the same board, the IOUT traces should have at least 20 mils spacing between them. Capacitive loading of the IOUT pin should be avoided to maintain the integrity of the sensed signal.

Layout Guidelines (continued)

10.1.2.9 Power Delivery and Power Density

Power stage layout guidelines:

- Maximize the widths of power, ground and drive signal connections.
- For conductors in the power path, be sure there is adequate trace width for the amount of current flowing through the traces.
- Make sure there are sufficient vias for connections between layers. A good rule of thumb is to use 1 minimum via per ampere of current.

10.2 Layout Example

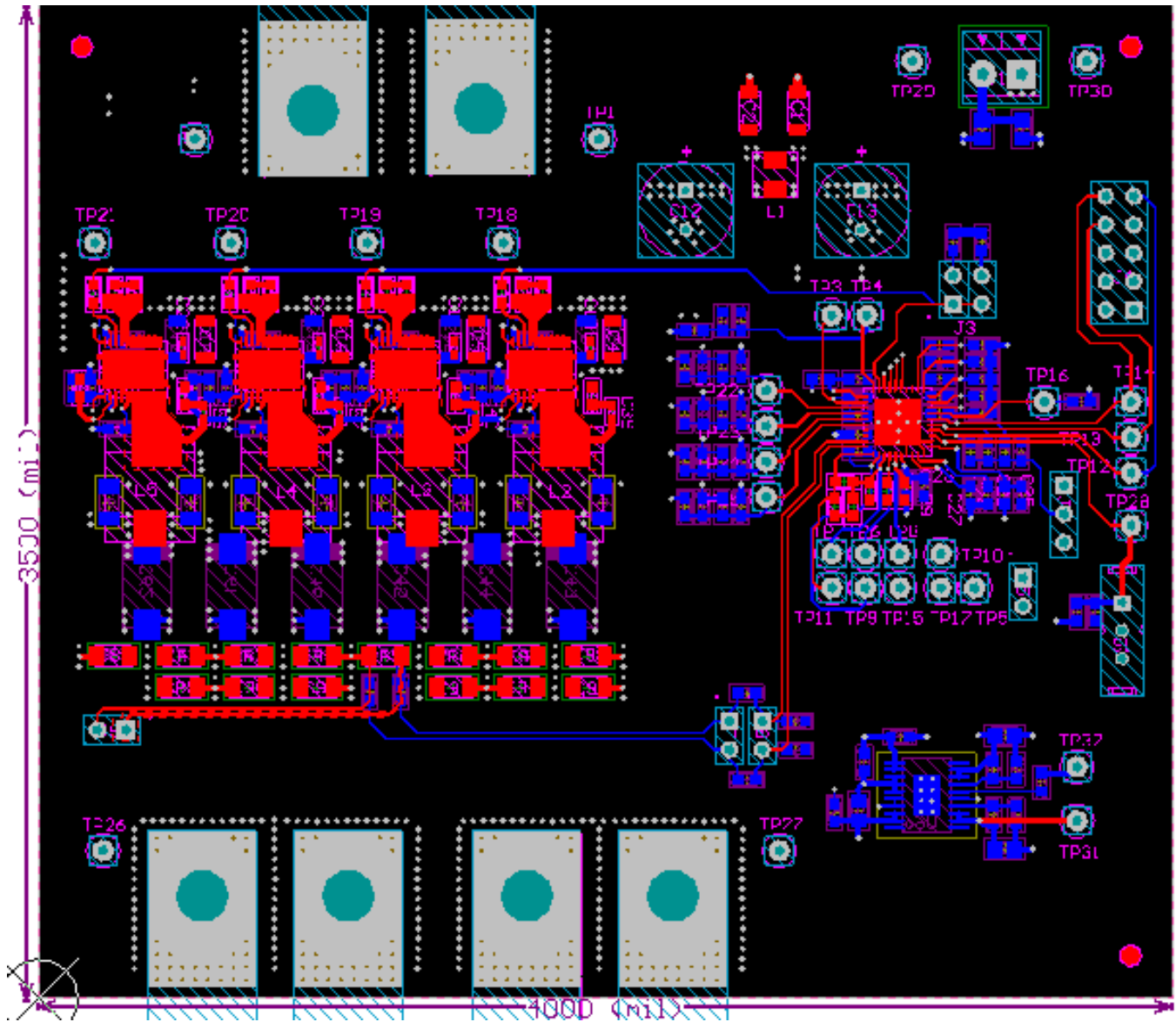


Figure 124. TPS53647 Layout Example

11 Device and Documentation Support

11.1 Device Support

11.1.1 Third-Party Products Disclaimer

TI'S PUBLICATION OF INFORMATION REGARDING THIRD-PARTY PRODUCTS OR SERVICES DOES NOT CONSTITUTE AN ENDORSEMENT REGARDING THE SUITABILITY OF SUCH PRODUCTS OR SERVICES OR A WARRANTY, REPRESENTATION OR ENDORSEMENT OF SUCH PRODUCTS OR SERVICES, EITHER ALONE OR IN COMBINATION WITH ANY TI PRODUCT OR SERVICE.

11.1.2 Development Support

For the Power Stage Designer tool, go to www.ti.com/tool/powerstage-designer.

11.2 Documentation Support

11.2.1 Related Documentation

For related documentation, see the following:

- [CSD95372BQ5MC Synchronous Buck NexFET™ Smart Power Stage \(SLPS417\)](#)

11.3 Receiving Notification of Documentation Updates

To receive notification of documentation updates, navigate to the device product folder on ti.com. In the upper right corner, click on *Alert me* to register and receive a weekly digest of any product information that has changed. For change details, review the revision history included in any revised document.

11.4 Community Resources

The following links connect to TI community resources. Linked contents are provided "AS IS" by the respective contributors. They do not constitute TI specifications and do not necessarily reflect TI's views; see TI's [Terms of Use](#).

TI E2E™ Online Community *TI's Engineer-to-Engineer (E2E) Community*. Created to foster collaboration among engineers. At e2e.ti.com, you can ask questions, share knowledge, explore ideas and help solve problems with fellow engineers.

Design Support *TI's Design Support* Quickly find helpful E2E forums along with design support tools and contact information for technical support.

11.5 Trademarks

DCAP+, NexFET, AutoBalance, PowerPAD, E2E are trademarks of Texas Instruments.

PMBus is a trademark of SMIF, Inc.

All other trademarks are the property of their respective owners.

11.6 Electrostatic Discharge Caution



These devices have limited built-in ESD protection. The leads should be shorted together or the device placed in conductive foam during storage or handling to prevent electrostatic damage to the MOS gates.

11.7 Glossary

[SLYZ022](#) — *TI Glossary*.

This glossary lists and explains terms, acronyms, and definitions.

12 Mechanical, Packaging, and Orderable Information

The following pages include mechanical, packaging, and orderable information. This information is the most current data available for the designated devices. This data is subject to change without notice and revision of this document. For browser-based versions of this data sheet, refer to the left-hand navigation.

PACKAGING INFORMATION

Orderable Device	Status (1)	Package Type	Package Drawing	Pins	Package Qty	Eco Plan (2)	Lead/Ball Finish (6)	MSL Peak Temp (3)	Op Temp (°C)	Device Marking (4/5)	Samples
TPS53647RTAR	ACTIVE	WQFN	RTA	40	2500	Green (RoHS & no Sb/Br)	CU NIPDAU	Level-2-260C-1 YEAR	-40 to 125	TPS 53647	Samples
TPS53647RTAT	ACTIVE	WQFN	RTA	40	250	Green (RoHS & no Sb/Br)	CU NIPDAU	Level-2-260C-1 YEAR	-40 to 125	TPS 53647	Samples

(1) The marketing status values are defined as follows:

ACTIVE: Product device recommended for new designs.

LIFEBUY: TI has announced that the device will be discontinued, and a lifetime-buy period is in effect.

NRND: Not recommended for new designs. Device is in production to support existing customers, but TI does not recommend using this part in a new design.

PREVIEW: Device has been announced but is not in production. Samples may or may not be available.

OBSOLETE: TI has discontinued the production of the device.

(2) Eco Plan - The planned eco-friendly classification: Pb-Free (RoHS), Pb-Free (RoHS Exempt), or Green (RoHS & no Sb/Br) - please check <http://www.ti.com/productcontent> for the latest availability information and additional product content details.

TBD: The Pb-Free/Green conversion plan has not been defined.

Pb-Free (RoHS): TI's terms "Lead-Free" or "Pb-Free" mean semiconductor products that are compatible with the current RoHS requirements for all 6 substances, including the requirement that lead not exceed 0.1% by weight in homogeneous materials. Where designed to be soldered at high temperatures, TI Pb-Free products are suitable for use in specified lead-free processes.

Pb-Free (RoHS Exempt): This component has a RoHS exemption for either 1) lead-based flip-chip solder bumps used between the die and package, or 2) lead-based die adhesive used between the die and leadframe. The component is otherwise considered Pb-Free (RoHS compatible) as defined above.

Green (RoHS & no Sb/Br): TI defines "Green" to mean Pb-Free (RoHS compatible), and free of Bromine (Br) and Antimony (Sb) based flame retardants (Br or Sb do not exceed 0.1% by weight in homogeneous material)

(3) MSL, Peak Temp. - The Moisture Sensitivity Level rating according to the JEDEC industry standard classifications, and peak solder temperature.

(4) There may be additional marking, which relates to the logo, the lot trace code information, or the environmental category on the device.

(5) Multiple Device Markings will be inside parentheses. Only one Device Marking contained in parentheses and separated by a "~" will appear on a device. If a line is indented then it is a continuation of the previous line and the two combined represent the entire Device Marking for that device.

(6) Lead/Ball Finish - Orderable Devices may have multiple material finish options. Finish options are separated by a vertical ruled line. Lead/Ball Finish values may wrap to two lines if the finish value exceeds the maximum column width.

Important Information and Disclaimer: The information provided on this page represents TI's knowledge and belief as of the date that it is provided. TI bases its knowledge and belief on information provided by third parties, and makes no representation or warranty as to the accuracy of such information. Efforts are underway to better integrate information from third parties. TI has taken and continues to take reasonable steps to provide representative and accurate information but may not have conducted destructive testing or chemical analysis on incoming materials and chemicals. TI and TI suppliers consider certain information to be proprietary, and thus CAS numbers and other limited information may not be available for release.

In no event shall TI's liability arising out of such information exceed the total purchase price of the TI part(s) at issue in this document sold by TI to Customer on an annual basis.

TAPE AND REEL INFORMATION

QUADRANT ASSIGNMENTS FOR PIN 1 ORIENTATION IN TAPE


*All dimensions are nominal

Device	Package Type	Package Drawing	Pins	SPQ	Reel Diameter (mm)	Reel Width W1 (mm)	A0 (mm)	B0 (mm)	K0 (mm)	P1 (mm)	W (mm)	Pin1 Quadrant
TPS53647RTAR	WQFN	RTA	40	2500	330.0	16.4	6.3	6.3	1.1	12.0	16.0	Q2
TPS53647RTAT	WQFN	RTA	40	250	180.0	16.4	6.3	6.3	1.1	12.0	16.0	Q2

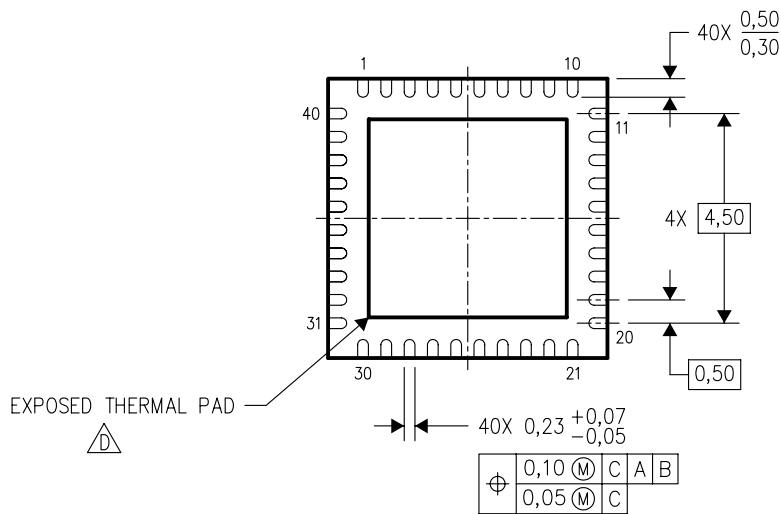
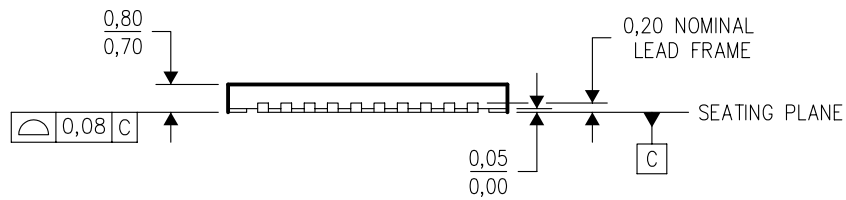
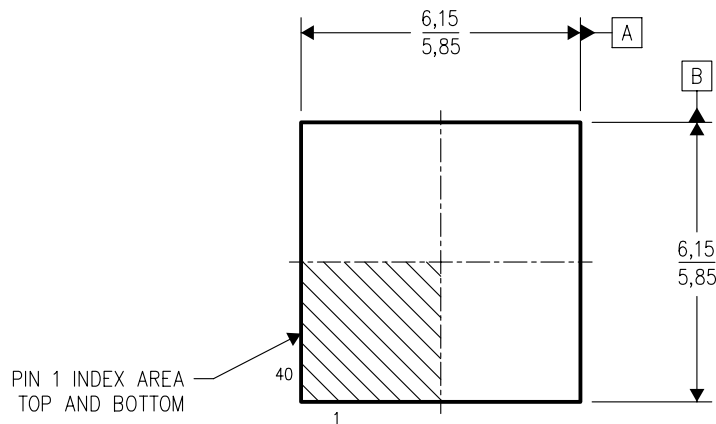
TAPE AND REEL BOX DIMENSIONS


*All dimensions are nominal


Device	Package Type	Package Drawing	Pins	SPQ	Length (mm)	Width (mm)	Height (mm)
TPS53647RTAR	WQFN	RTA	40	2500	367.0	367.0	38.0
TPS53647RTAT	WQFN	RTA	40	250	210.0	185.0	35.0

RTA (S-PQFP-N40)

PLASTIC QUAD FLATPACK



4204422/B 11/04

- NOTES:
- A. All linear dimensions are in millimeters. Dimensioning and tolerancing per ASME Y14.5M-1994.
 - B. This drawing is subject to change without notice.
 - C. QFN (Quad Flatpack No-Lead) Package configuration.
 -  The package thermal pad must be soldered to the board for thermal and mechanical performance. See the Product Data Sheet for details regarding the exposed thermal pad dimensions.

THERMAL PAD MECHANICAL DATA

RTA (S-PWQFN-N40)

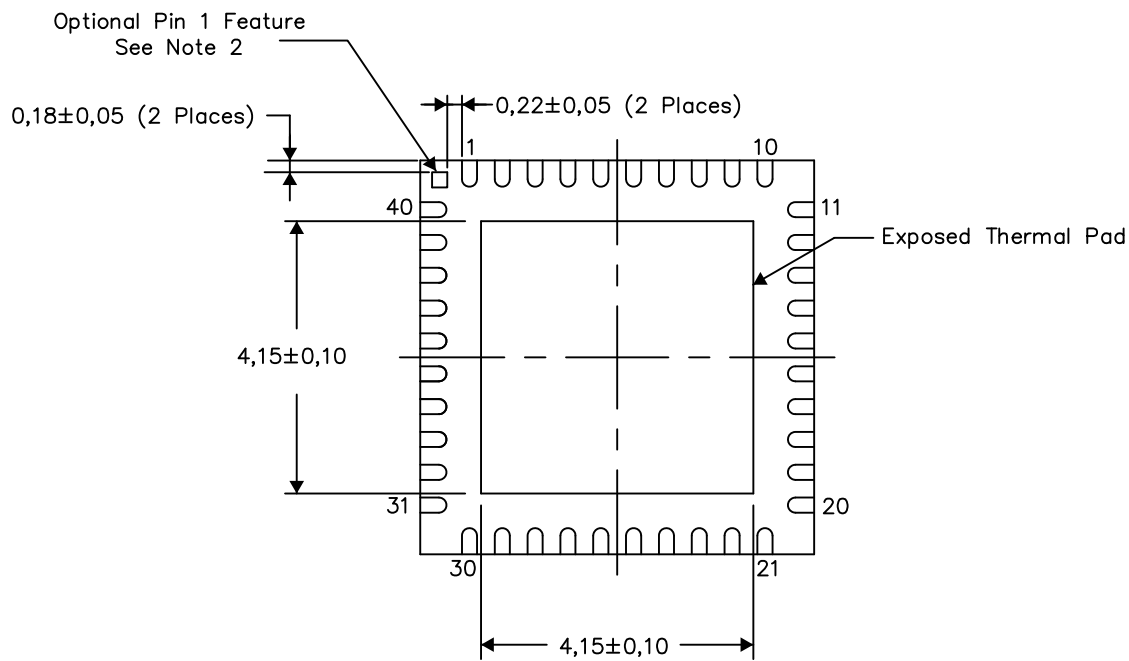
PLASTIC QUAD FLATPACK NO-LEAD

THERMAL INFORMATION

This package incorporates an exposed thermal pad that is designed to be attached directly to an external heatsink. The thermal pad must be soldered directly to the printed circuit board (PCB). After soldering, the PCB can be used as a heatsink. In addition, through the use of thermal vias, the thermal pad can be attached directly to the appropriate copper plane shown in the electrical schematic for the device, or alternatively, can be attached to a special heatsink structure designed into the PCB. This design optimizes the heat transfer from the integrated circuit (IC).

For information on the Quad Flatpack No-Lead (QFN) package and its advantages, refer to Application Report, QFN/SON PCB Attachment, Texas Instruments Literature No. SLUA271. This document is available at www.ti.com.

The exposed thermal pad dimensions for this package are shown in the following illustration.



Bottom View

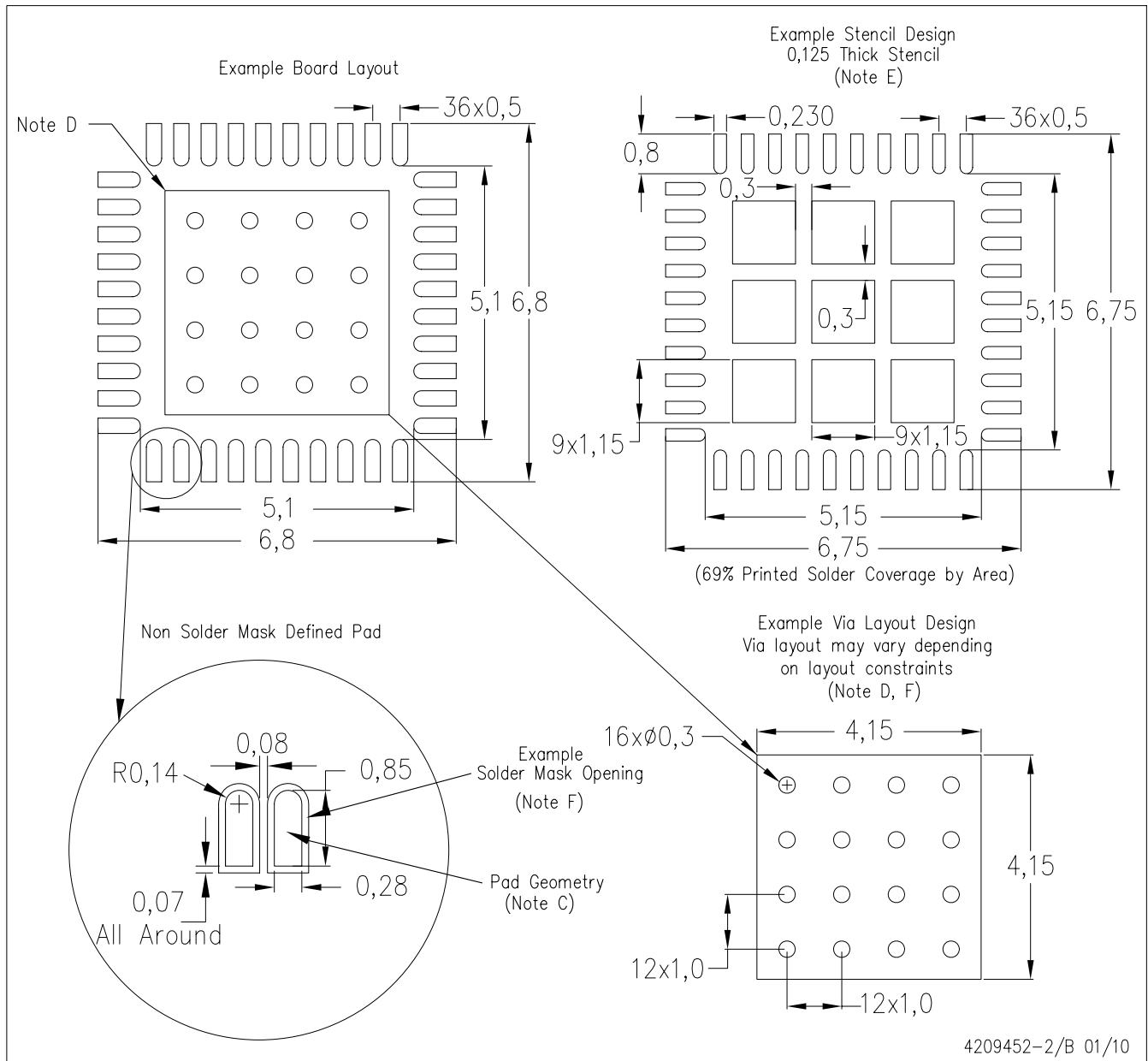
Exposed Thermal Pad Dimensions

4206335-2/F 04/14

NOTES:

- 1) All linear dimensions are in millimeters
- 2) The Pin 1 Identification mark is an optional feature that may be present on some devices
In addition, this Pin 1 feature if present is electrically connected to the center thermal pad and therefore should be considered when routing the board layout.

RTA (S-PWQFN-N40)



- NOTES:
- All linear dimensions are in millimeters.
 - This drawing is subject to change without notice.
 - Publication IPC-7351 is recommended for alternate designs.
 - This package is designed to be soldered to a thermal pad on the board. Refer to Application Note, Quad Flat-Pack Packages, Texas Instruments Literature No. SCBA017, SLUA271, and also the Product Data Sheets for specific thermal information, via requirements, and recommended board layout. These documents are available at www.ti.com <<http://www.ti.com>>.
 - Laser cutting apertures with trapezoidal walls and also rounding corners will offer better paste release. Customers should contact their board assembly site for stencil design recommendations. Refer to IPC 7525 for stencil design considerations.
 - Customers should contact their board fabrication site for recommended solder mask tolerances and via tenting recommendations for vias placed in the thermal pad.

IMPORTANT NOTICE

Texas Instruments Incorporated (TI) reserves the right to make corrections, enhancements, improvements and other changes to its semiconductor products and services per JESD46, latest issue, and to discontinue any product or service per JESD48, latest issue. Buyers should obtain the latest relevant information before placing orders and should verify that such information is current and complete.

TI's published terms of sale for semiconductor products (<http://www.ti.com/sc/docs/stdterms.htm>) apply to the sale of packaged integrated circuit products that TI has qualified and released to market. Additional terms may apply to the use or sale of other types of TI products and services.

Reproduction of significant portions of TI information in TI data sheets is permissible only if reproduction is without alteration and is accompanied by all associated warranties, conditions, limitations, and notices. TI is not responsible or liable for such reproduced documentation. Information of third parties may be subject to additional restrictions. Resale of TI products or services with statements different from or beyond the parameters stated by TI for that product or service voids all express and any implied warranties for the associated TI product or service and is an unfair and deceptive business practice. TI is not responsible or liable for any such statements.

Buyers and others who are developing systems that incorporate TI products (collectively, "Designers") understand and agree that Designers remain responsible for using their independent analysis, evaluation and judgment in designing their applications and that Designers have full and exclusive responsibility to assure the safety of Designers' applications and compliance of their applications (and of all TI products used in or for Designers' applications) with all applicable regulations, laws and other applicable requirements. Designer represents that, with respect to their applications, Designer has all the necessary expertise to create and implement safeguards that (1) anticipate dangerous consequences of failures, (2) monitor failures and their consequences, and (3) lessen the likelihood of failures that might cause harm and take appropriate actions. Designer agrees that prior to using or distributing any applications that include TI products, Designer will thoroughly test such applications and the functionality of such TI products as used in such applications.

TI's provision of technical, application or other design advice, quality characterization, reliability data or other services or information, including, but not limited to, reference designs and materials relating to evaluation modules, (collectively, "TI Resources") are intended to assist designers who are developing applications that incorporate TI products; by downloading, accessing or using TI Resources in any way, Designer (individually or, if Designer is acting on behalf of a company, Designer's company) agrees to use any particular TI Resource solely for this purpose and subject to the terms of this Notice.

TI's provision of TI Resources does not expand or otherwise alter TI's applicable published warranties or warranty disclaimers for TI products, and no additional obligations or liabilities arise from TI providing such TI Resources. TI reserves the right to make corrections, enhancements, improvements and other changes to its TI Resources. TI has not conducted any testing other than that specifically described in the published documentation for a particular TI Resource.

Designer is authorized to use, copy and modify any individual TI Resource only in connection with the development of applications that include the TI product(s) identified in such TI Resource. NO OTHER LICENSE, EXPRESS OR IMPLIED, BY ESTOPPEL OR OTHERWISE TO ANY OTHER TI INTELLECTUAL PROPERTY RIGHT, AND NO LICENSE TO ANY TECHNOLOGY OR INTELLECTUAL PROPERTY RIGHT OF TI OR ANY THIRD PARTY IS GRANTED HEREIN, including but not limited to any patent right, copyright, mask work right, or other intellectual property right relating to any combination, machine, or process in which TI products or services are used. Information regarding or referencing third-party products or services does not constitute a license to use such products or services, or a warranty or endorsement thereof. Use of TI Resources may require a license from a third party under the patents or other intellectual property of the third party, or a license from TI under the patents or other intellectual property of TI.

TI RESOURCES ARE PROVIDED "AS IS" AND WITH ALL FAULTS. TI DISCLAIMS ALL OTHER WARRANTIES OR REPRESENTATIONS, EXPRESS OR IMPLIED, REGARDING RESOURCES OR USE THEREOF, INCLUDING BUT NOT LIMITED TO ACCURACY OR COMPLETENESS, TITLE, ANY EPIDEMIC FAILURE WARRANTY AND ANY IMPLIED WARRANTIES OF MERCHANTABILITY, FITNESS FOR A PARTICULAR PURPOSE, AND NON-INFRINGEMENT OF ANY THIRD PARTY INTELLECTUAL PROPERTY RIGHTS. TI SHALL NOT BE LIABLE FOR AND SHALL NOT DEFEND OR INDEMNIFY DESIGNER AGAINST ANY CLAIM, INCLUDING BUT NOT LIMITED TO ANY INFRINGEMENT CLAIM THAT RELATES TO OR IS BASED ON ANY COMBINATION OF PRODUCTS EVEN IF DESCRIBED IN TI RESOURCES OR OTHERWISE. IN NO EVENT SHALL TI BE LIABLE FOR ANY ACTUAL, DIRECT, SPECIAL, COLLATERAL, INDIRECT, PUNITIVE, INCIDENTAL, CONSEQUENTIAL OR EXEMPLARY DAMAGES IN CONNECTION WITH OR ARISING OUT OF TI RESOURCES OR USE THEREOF, AND REGARDLESS OF WHETHER TI HAS BEEN ADVISED OF THE POSSIBILITY OF SUCH DAMAGES.

Unless TI has explicitly designated an individual product as meeting the requirements of a particular industry standard (e.g., ISO/TS 16949 and ISO 26262), TI is not responsible for any failure to meet such industry standard requirements.

Where TI specifically promotes products as facilitating functional safety or as compliant with industry functional safety standards, such products are intended to help enable customers to design and create their own applications that meet applicable functional safety standards and requirements. Using products in an application does not by itself establish any safety features in the application. Designers must ensure compliance with safety-related requirements and standards applicable to their applications. Designer may not use any TI products in life-critical medical equipment unless authorized officers of the parties have executed a special contract specifically governing such use. Life-critical medical equipment is medical equipment where failure of such equipment would cause serious bodily injury or death (e.g., life support, pacemakers, defibrillators, heart pumps, neurostimulators, and implantables). Such equipment includes, without limitation, all medical devices identified by the U.S. Food and Drug Administration as Class III devices and equivalent classifications outside the U.S.

TI may expressly designate certain products as completing a particular qualification (e.g., Q100, Military Grade, or Enhanced Product). Designers agree that it has the necessary expertise to select the product with the appropriate qualification designation for their applications and that proper product selection is at Designers' own risk. Designers are solely responsible for compliance with all legal and regulatory requirements in connection with such selection.

Designer will fully indemnify TI and its representatives against any damages, costs, losses, and/or liabilities arising out of Designer's non-compliance with the terms and provisions of this Notice.